



# Submittal

## Split System Cooling

AHU24-SG2

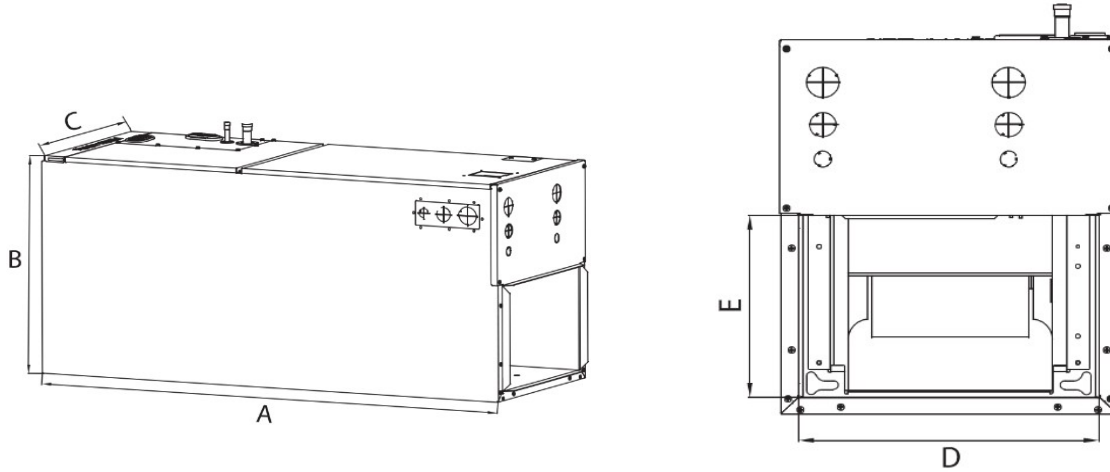
Location: \_\_\_\_\_  
Engineer: \_\_\_\_\_  
Submitted to: \_\_\_\_\_  
Submitted by: \_\_\_\_\_  
Reference: \_\_\_\_\_

Approval: \_\_\_\_\_  
Date: \_\_\_\_\_  
Construction: \_\_\_\_\_  
Unit # : \_\_\_\_\_  
Drawing # : \_\_\_\_\_



Note:" *Graphics in this document are for representation only. Actual model may differ in appearance.*"

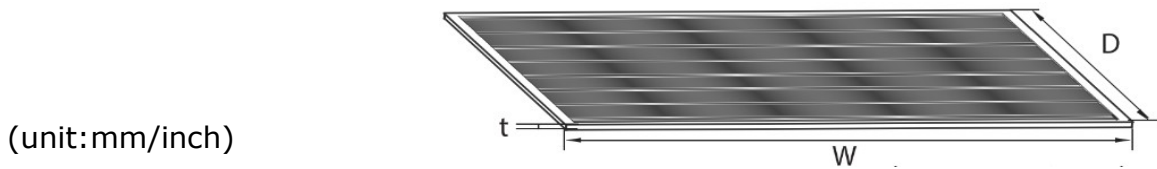
## Indoor unit installation size



(unit:mm/inch)

Dimensions		Model	12K ~ 24K	30K ~ 48K	60K
Length of A	mm		1143	1245	1346
	inch		45	49	53
Length of B	mm		533	533	533
	inch		21	21	21
Length of C	mm		445	533	622
	inch		17-1/2	21	24-1/2
Length of D	mm		400	490	580
	inch		15-3/4	19-5/16	22-27/32
Length of E	mm		260	260	260
	inch		10-1/4	10-1/4	10-1/4

## Recommended size of filter

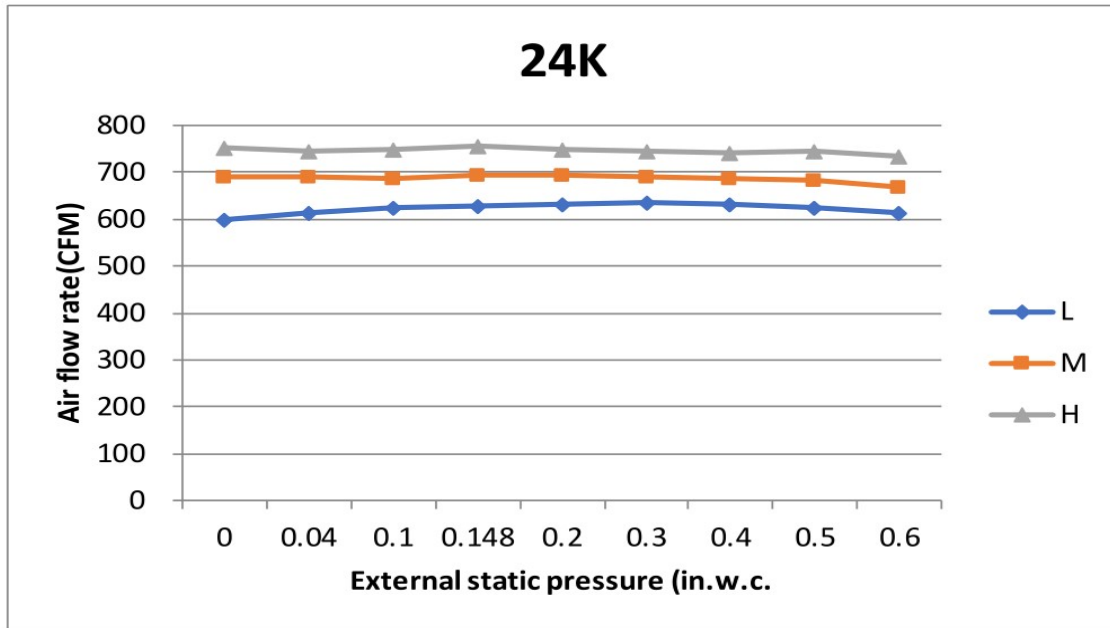


(unit:mm/inch)

Recommended size of filter		Model (Btu/h)	12K ~24K	30K~36K	48K ~60K
Recommended size of filter	W	mm	406.4	495.3	584.2
		inch	16	19-1/2	23
	D	mm	508	508	508
		inch	20	20	20
	t	mm	25.4	25.4	25.4
		inch	1	1	1

SYSTEM PERFORMANCE DATA		
<b>Power supply</b>		
Normal Operational Voltage	(V, Ph, Hz)	208/230, 1, 60
Voltage Range	(V)	187-253
<b>Electrical</b>		
Minimum circuit ampacity	(A)	19
Max.fuse	(A)	30
Connection wiring		16AWG*2 Stranded, shielded
<b>Cooling</b>		
Rated Capacity	(Btu/h)	24000
Capacity Range	(Btu/h)	7500~26000
Power Input	(W)	2120
Rated current	(A)	9.7
SEER2	(Btu/W)	17
EER2	(Btu/W)	10.5
<b>Heating at 47F</b>		
Rated Capacity	(Btu/h)	26000
Capacity Range	(Btu/h)	5600~30000
Power Input	(W)	2150
Rated current	(A)	9.8
HSPF2-4	(Btu/W)	9.2
HSPF2-5	(Btu/W)	7.6
COP	W/W	3.54
<b>Throttle type</b>	Indoor unit	EEV for cooling
Indoor(cooling/ heating)	(Deg. °F)	60~90/32~86
	(Deg. °C)	16~32/0~30
Application area	(sq.ft)	344.44~505.90
	(m2)	32~47
<b>INDOOR UNIT DATA</b>		
<b>Indoor fan motor</b>		
Type		Centrifugal
Model		ZKFD-250-8-1
Qty		1
Input	(W)	67.8
RLA	(A)	---
LRA	(A)	---
Winding Resistance	(Ω)	---
Capacitor	(uF)	---
Speed(Hi/Mi/Lo)	(r/min)	---
<b>Air flow &amp; Noise level</b>		
Indoor air flow (Hi/Med/Lo) (No duct)	(CFM)	758.82/694.12/629.41
Indoor noise level (Hi/Med/Lo)	[dB(A)]	43/40.5/35
Dehumidification	(Pint/H)	---
<b>Indoor unit</b>		
Dimension (WxDxH)	(inch)	21.02x17.52x45.00
	(mm)	534x445x1143
Packing(WxDxH)	(inch)	25.20x20.87x50.39
	(mm)	640x530x1280
Net/Gross weight	(lbs.)	47.9/57.8
	(kg)	105.60/127.43

## Fan performance



# ComfortStar®

12201 N W 107th Avenue  
Miami, FL 33178  
1.866.524.9898 Toll Free  
305.500.9898 Office  
305.500.9896 Fax  
<http://www.comfortstarusa.com>

---



The AHRI mark indicates Comfortstar participating in the AHRI Certification program. Visit [ahridirectory.org](http://ahridirectory.org) for verification of individual certified products. Comfortstar reserves the right to change design and specs without notice. Comfortstar has a policy of update the data continuously. We are committed to using environmentally conscious print practices.

AHU24-SG2 22 Jun 2022  
Supersedes AHU24-SG2 (Sept.2021)

© 2022 ComfortStar