



# Submittal

## Split System Cooling

CPR18CD(O)

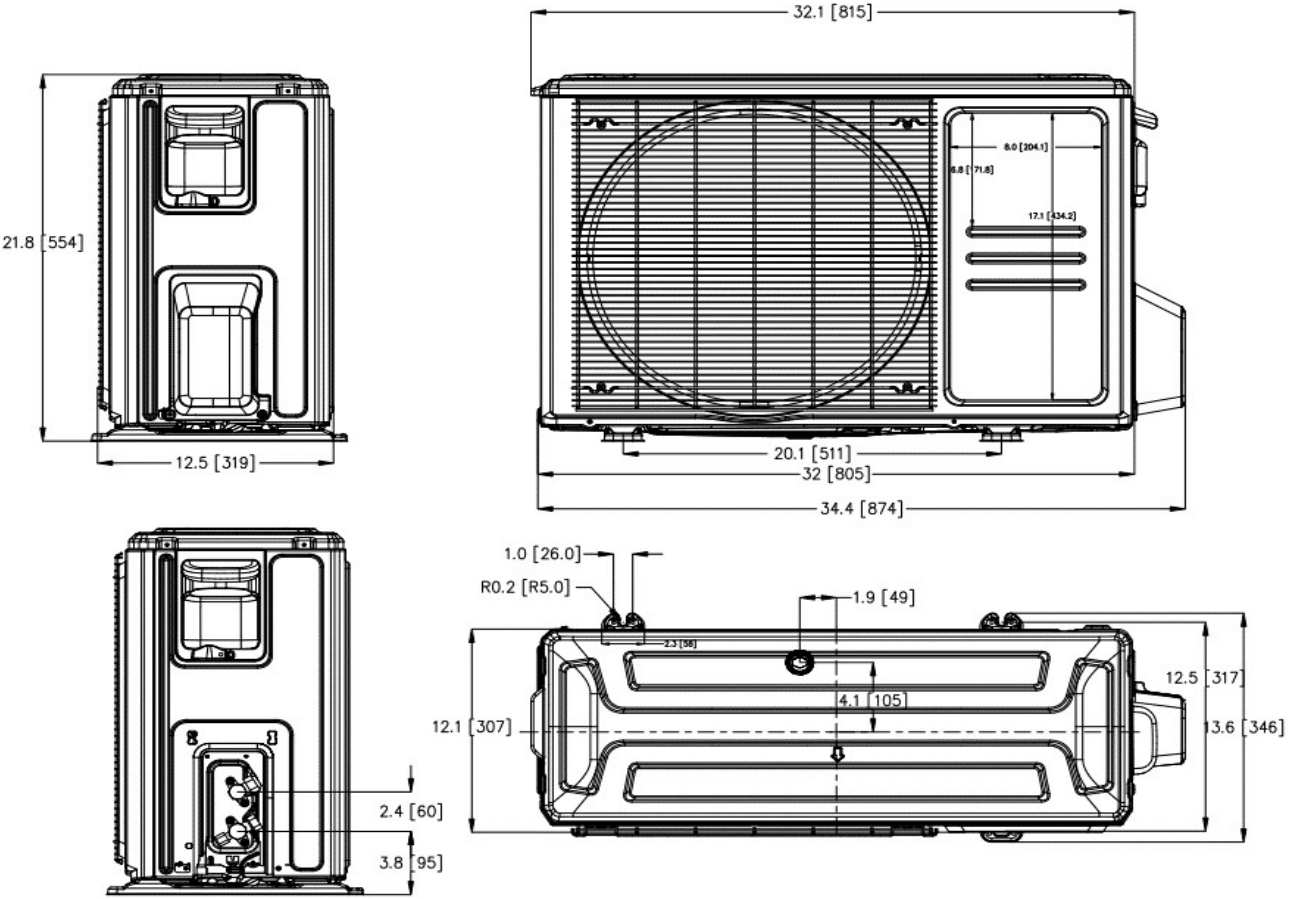
Location: \_\_\_\_\_  
Engineer: \_\_\_\_\_  
Submitted to: \_\_\_\_\_  
Submitted by: \_\_\_\_\_  
Reference: \_\_\_\_\_

Approval: \_\_\_\_\_  
Date: \_\_\_\_\_  
Construction: \_\_\_\_\_  
Unit # : \_\_\_\_\_  
Drawing # : \_\_\_\_\_



Note: " Graphics in this document are for representation only. Actual model may differ in appearance."

## Outdoor unit dimension



<b>SYSTEM PERFORMANCE DATA</b>		
<b>Power supply</b>		
Normal Operational Voltage	(V, Ph, Hz)	208/230, 1, 60
Voltage Range	(V)	187-253
<b>Electrical</b>		
Minimum circuit ampacity	(A)	16
Max.fuse	(A)	20
Connection wiring		16AWG*2 Stranded, shielded
<b>Cooling</b>		
Rated Capacity	(Btu/h)	18000
Capacity Range	(Btu/h)	5350~18700
Powrer Input	(W)	1620
Rated current	(A)	7.5
SEER2	(Btu/W)	16
EER2	(Btu/W)	10.9
<b>Heating at 47F</b>		
Rated Capacity	(Btu/h)	18000
Capacity Range	(Btu/h)	5600~18700
Powrer Input	(W)	1510
Rated current	(A)	6.7
HSPF2-4	(Btu/W)	8.8
HSPF2-5	(Btu/W)	6.9
COP	W/W	3.49
<b>REFRIGERANT PIPE DATA</b>		
Throttle type	Outdoor unit	EEV for heating
Design pressure	(PSIG)	550/340
Refrigerant Type	(Oz)	R410A/56.44
Refrigerant precharge	(ft)	25
	(m)	7.5
Additional charge for each ft	(oz/ft)	0.69
	(g/m)	65
Liquid side/ Gas side	(inch)	3/8" / 3/4"
	(mm)	9.52/19
Max. pipe length	(ft)	98
	(m)	30
Max. difference in level	(ft)	66
	(m)	20
Connection method		Flared
Outdoor(cooling/heating)	(Deg. °F)	5~122/5~75
	(Deg. °C)	-15~50/ -15~24
Application area	(sq.ft)	258.33~376.74
	(m2)	24~35

<b>OUTDOOR UNIT DATA</b>		
<b>Compressor</b>		
Type		ROTARY
Model		KSN140D21UFZ
Brand		GMCC
Capacity	(Btu/h)	14415.7
Input	(W)	1085
Rated current (RLA)	(A)	-
Refrigerant oil/oil charge	(ml)	VG74/440
<b>Outdoor fan motor</b>		
Model		ZKFN-34-10-1-3
Qty		1
Input	(W)	100.3
RLA	(A)	--
Speed	(r/min)	840/700/650
<b>Air flow &amp; Noise level</b>		
Outdoor air flow (Max.)	(CFM)	1450.00
Outdoor noise level	[dB(A)]	54
<b>Outdoor unit</b>		
Dimension (W×D×H)	(inch)	31.69x12.99x21.81
	(mm)	805x330x554
Packing (W×D×H)	(inch)	36.02x14.57x24.21
	(mm)	915x370x615
Net/ Gross weight	(lbs.)	75.84/81.35
	(kg)	34.4/36.9

# ComfortStar®

12201 N W 107th Avenue  
Miami, FL 33178  
1.866.524.9898 Toll Free  
305.500.9898 Office  
305.500.9896 Fax  
<http://www.comfortstarusa.com>

---



The AHRI mark indicates Comfortstar participating in the AHRI Certification program. Visit [ahridirectory.org](http://ahridirectory.org) for verification of individual certified products. Comfortstar reserves the right to change design and specs without notice. Comfortstar has a policy of update the data continuously. We are committed to using environmentally conscious print practices.

CPR18CD(O) 22 Jun 2022  
Supersedes CPR18CD(O) (Sept.2021)

© 2022 ComfortStar