



Submittal

Split System Cooling

CPR24CD(O)

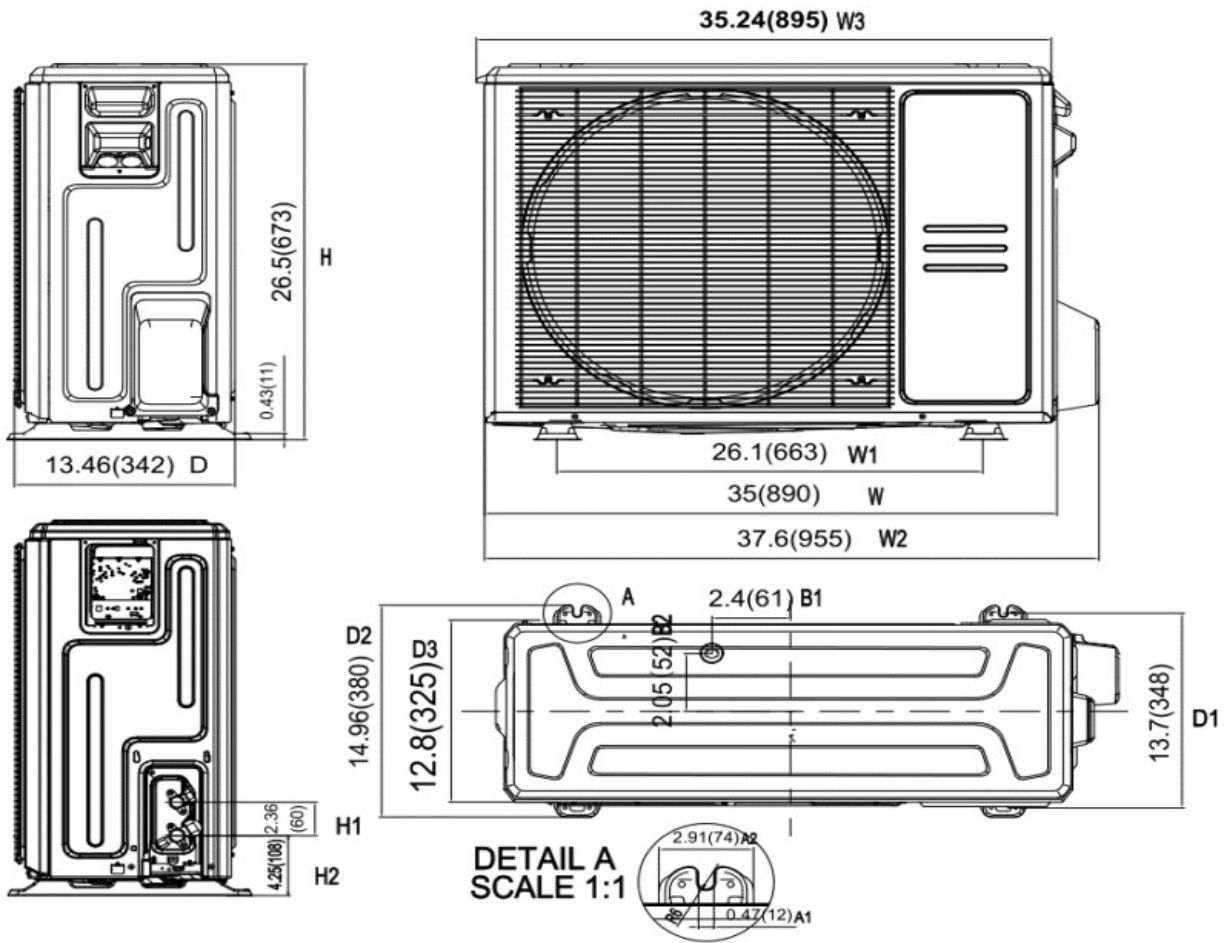
Location: _____
Engineer: _____
Submitted to: _____
Submitted by: _____
Reference: _____

Approval: _____
Date: _____
Construction: _____
Unit # : _____
Drawing # : _____



Note:" *Graphics in this document are for representation only. Actual model may differ in appearance.*"

Outdoor unit dimension



SYSTEM PERFORMANCE DATA		
Power supply		
Normal Operational Voltage	(V, Ph, Hz)	208/230, 1, 60
Voltage Range	(V)	187-253
Electrical		
Minimum circuit ampacity	(A)	19
Max.fuse	(A)	30
Connection wiring		16AWG*2 Stranded, shielded
Cooling		
Rated Capacity	(Btu/h)	24000
Capacity Range	(Btu/h)	7500~26000
Powrer Input	(W)	2120
Rated current	(A)	9.7
SEER2	(Btu/W)	17
EER2	(Btu/W)	10.5
Heating at 47F		
Rated Capacity	(Btu/h)	26000
Capacity Range	(Btu/h)	5600~30000
Powrer Input	(W)	2150
Rated current	(A)	9.8
HSPF2-4	(Btu/W)	9.2
HSPF2-5	(Btu/W)	7.6
COP	W/W	3.54
REFRIGERANT PIPE DATA		
Throttle type	Outdoor unit	EEV for heating
Design pressure	(PSIG)	550/340
Refrigerant Type	(Oz)	R410A/74.08
Refrigerant precharge	(ft)	25
	(m)	7.5
Additional charge for each ft	(oz/ft)	0.69
	(g/m)	65
Liquid side/ Gas side	(inch)	3/8" / 3/4"
	(mm)	9.52/15.9
Max. pipe length	(ft)	164
	(m)	50
Max. difference in level	(ft)	82
	(m)	25
Connection method		Flared
Outdoor(cooling/heating)	(Deg. °F)	5~122/5~75
	(Deg. °C)	-15~50/ -15~24
Application area	(sq.ft)	344.44~505.90
	(m2)	32~47

OUTDOOR UNIT DATA		
Compressor		
Type		Twin-ROTARY
Model		KTM240D57UMT
Brand		GMCC
Capacity	(Btu/h)	24686
Input	(W)	1945
Rated current (RLA)	(A)	-
Refrigerant oil/oil charge	(ml)	VG74/670
Outdoor fan motor		
Model		ZKFN-80-8-3
Qty		1
Input	(W)	88
RLA	(A)	--
Speed	(r/min)	810/720
Air flow & Noise level		
Outdoor air flow (Max.)	(CFM)	1764.71
Outdoor noise level	[dB(A)]	56.5
Outdoor unit		
Dimension (W×D×H)	(inch)	35.04x13.46x26.50
	(mm)	890x342x673
Packing (W×D×H)	(inch)	39.17x15.67x29.13
	(mm)	995x398x740
Net/ Gross weight	(lbs.)	102.29/109.13
	(kg)	46.4/49.5

ComfortStar®

12201 N W 107th Avenue
Miami, FL 33178
1.866.524.9898 Toll Free
305.500.9898 Office
305.500.9896 Fax
<http://www.comfortstarusa.com>



The AHRI mark indicates Comfortstar participating in the AHRI Certification program. Visit ahridirectory.org for verification of individual certified products. Comfortstar reserves the right to change design and specs without notice. Comfortstar has a policy of update the data continuously. We are committed to using environmentally conscious print practices.

CPR24CD(O) 22 Jun 2022
Supersedes CPR24CD(O) (Sept.2021)

© 2022 ComfortStar