



Submittal

Split System Cooling

CPR30CD(O)

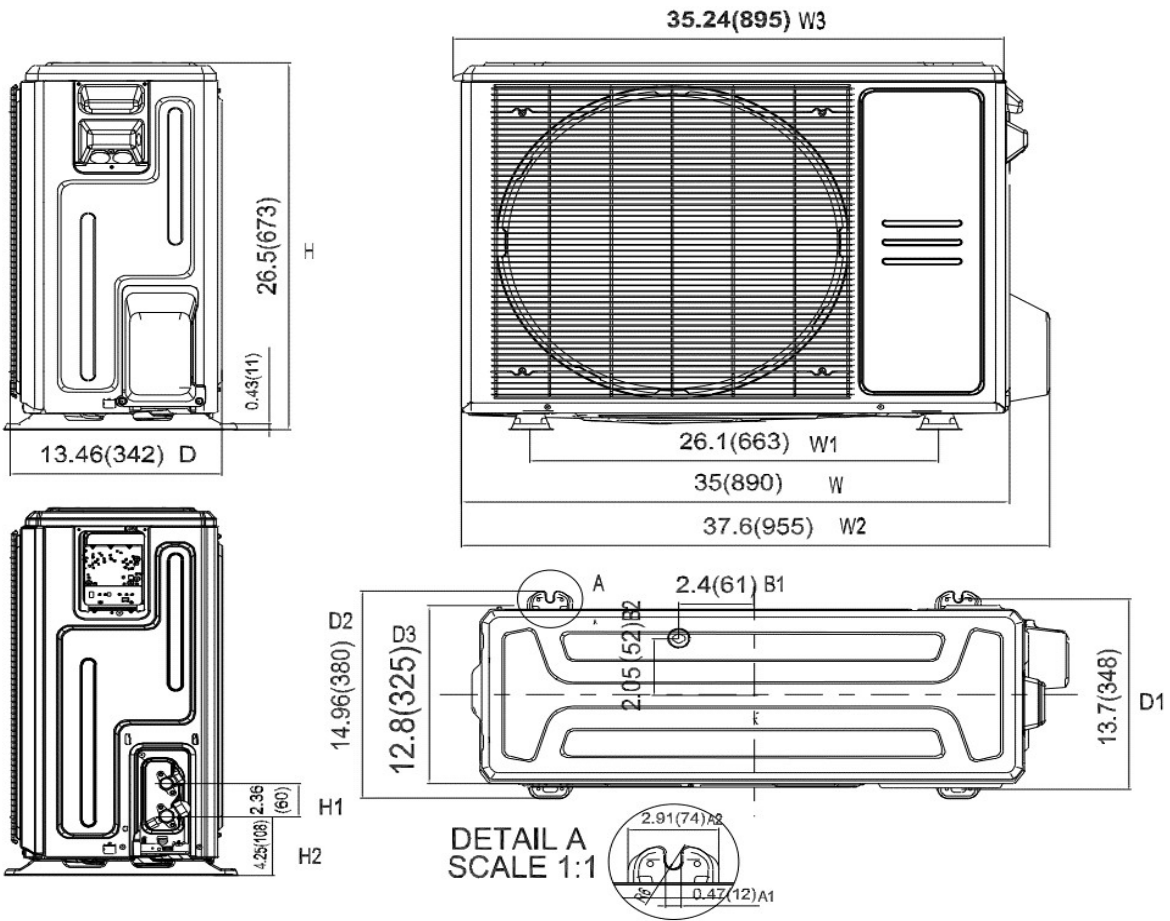
Location: _____
Engineer: _____
Submitted to: _____
Submitted by: _____
Reference: _____

Approval: _____
Date: _____
Construction: _____
Unit # : _____
Drawing # : _____



Note:" *Graphics in this document are for representation only. Actual model may differ in appearance.*"

Outdoor unit dimension



SYSTEM PERFORMANCE DATA		
Power supply		
Normal Operational Voltage	(V, Ph, Hz)	208/230, 1, 60
Voltage Range	(V)	187-253
Electrical		
Minimum circuit ampacity	(A)	20
Max.fuse	(A)	35
Connection wiring		16AWG*2 Stranded, shielded
Cooling		
Rated Capacity	(Btu/h)	30000
Capacity Range	(Btu/h)	9482~33000
Power Input	(W)	2760
Rated current	(A)	12.20
SEER2	(Btu/W)	17.3
EER2	(Btu/W)	10.6
Heating at 47F		
Rated Capacity	(Btu/h)	31000
Capacity Range	(Btu/h)	12200~32000
Power Input	(W)	2850
Rated current	(A)	12.40
HSPF2-4	(Btu/W)	8.5
HSPF2-5	(Btu/W)	6.6
COP	W/W	3.19
REFRIGERANT PIPE DATA		
Throttle type	Outdoor unit	EEV for heating
Design pressure	(PSIG)	550/340
Refrigerant Type	(Oz)	R410A/107.59
Refrigerant precharge	(ft)	25
	(m)	7.5
Additional charge for each ft	(oz/ft)	0.69
	(g/m)	65
Liquid side/ Gas side	(inch)	3/8" / 3/4"
	(mm)	9.52/15.9
Max. pipe length	(ft)	213
	(m)	65
Max. difference in level	(ft)	98
	(m)	30
Connection method		Flared
Outdoor(cooling/heating)	(Deg. °F)	5~122/5~75
	(Deg. °C)	-15~50/ -15~24
Application area	(sq.ft)	430.56~635.07
	(m ²)	40~59

OUTDOOR UNIT DATA		
Compressor		
Type		ROTARY
Model		KTF250D22UMT
Brand		GMCC
Capacity	(Btu/h)	26084.74
Input	(W)	2080
Rated current (RLA)	(A)	-
Refrigerant oil/oil charge	(ml)	VG74/670
Outdoor fan motor		
Model		ZKFN-120-8-2
Qty		1
Input	(W)	150.0
RLA	(A)	--
Speed	(r/min)	1150/1050/900/850
Air flow & Noise level		
Outdoor air flow (Max.)	(CFM)	2235.3
Outdoor noise level	[dB(A)]	61.5
Outdoor unit		
Dimension (W×D×H)	(inch)	37.24x16.14x31.89
	(mm)	946x410x810
Packing (W×D×H)	(inch)	42.91x19.69x34.84
	(mm)	1090x500x885
Net/ Gross weight	(lbs.)	141.76/151.46
	(kg)	64.3/68.7

ComfortStar®

12201 N W 107th Avenue
Miami, FL 33178
1.866.524.9898 Toll Free
305.500.9898 Office
305.500.9896 Fax
<http://www.comfortstarusa.com>



The AHRI mark indicates Comfortstar participating in the AHRI Certification program. Visit ahridirectory.org for verification of individual certified products. Comfortstar reserves the right to change design and specs without notice. Comfortstar has a policy of update the data continuously. We are committed to using environmentally conscious print practices.

CPR30CD(O) 22 Jun 2022
Supersedes CPR30CD(O) (Sept.2021)

© 2022 ComfortStar