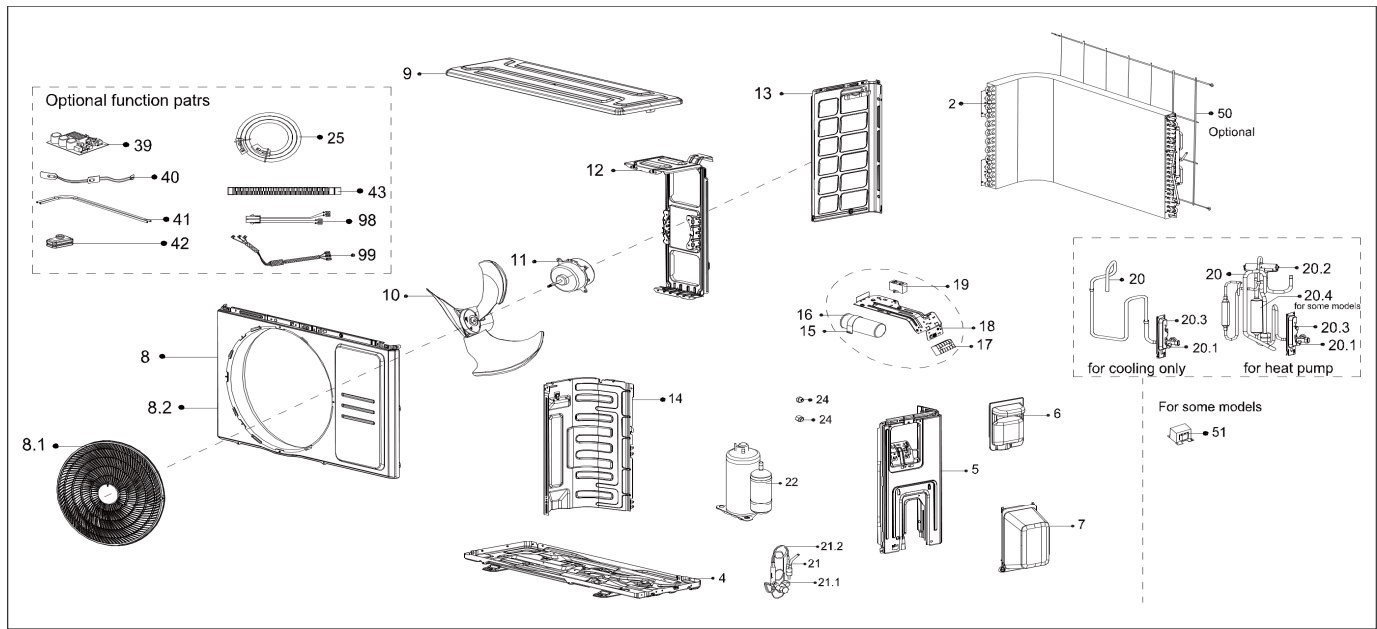


Exploded View

Model

CSA12CA(O)-R

ComfortStar®



| EX_ID | Spare Parts Code | Part Name(EN) | Qty. | Price | Remarks |
|-------|------------------|--------------------------|------|-------|---------|
| 2 | 15822000A17007 | Condenser assembly | 1 | | |
| 4 | 12222000012131 | Chassis assembly | 1 | | |
| 5 | 12222000012141 | Right clapboard assembly | 1 | | |
| 6 | 12100701A00057 | Big handle assembly | 1 | | |
| 7 | 12122000007150 | Water collector | 1 | | |
| 8 | 12222000012137 | Front panel assembly | 1 | | |
| 8.1 | 12122000024226 | Air outlet grille | 1 | | |
| 8.2 | 12222000012138 | Front panel | 1 | | |
| 9 | 12222000014305 | Top cover assembly | 1 | | |
| 10 | 12100105000821 | Axial flow fan | 1 | | |

| | | | | | |
|------|----------------|--|---|--|--|
| 11 | 11002012034033 | Single Phase Asynchronous Motor | 1 | | |
| 12 | 12222000012390 | Supporter of fan motor | 1 | | |
| 13 | 12222000012135 | Left supporter | 1 | | |
| 14 | 12222000012125 | Partition board | 1 | | |
| 15 | 12200203000018 | Capacitor clip | 1 | | |
| 16 | 17400103000090 | Capacitor of compressor | 1 | | |
| 17 | 17400401000286 | Wire joint | 1 | | |
| 18 | 12222000015145 | Installation plate of electric parts subassembly | 1 | | |
| 19 | 17400101000074 | Fan motor capacitor | 1 | | |
| 20 | 15422000016232 | Gas valve assembly | 1 | | |
| 20.1 | 15500204000058 | Gas valve | 1 | | |
| 20.3 | 12222000002571 | Valve plate | 1 | | |
| 21 | 15422000017192 | Liquid valve Assembly | 1 | | |
| 21.1 | 15500208000046 | Liquid valve | 1 | | |
| 21.2 | 15122000025757 | Capillary | 1 | | |
| 22 | 11103010017215 | Fixed Speed Rotary Compressor | 1 | | |
| 25 | 15111600A00020 | Connecting pipe assembly | 1 | | |
| 99 | 17401203000777 | Compressor wire subassembly | 1 | | |