


SUBMITTAL DATA SHEET




CGS09CD(I)/CGS09CD(O)	9,000 BTU/H(208/230V) Wall Mounted Heat Pump System
Location: _____	Approval: _____
Engineer: _____	Date: _____
Submitted to: _____	Construction: _____
Submitted by: _____	Unit #: _____
Reference: _____	Drawing #: _____

Set Model
 Indoor unit model CGS09CD(I)
 Outdoor unit model CGS09CD(O)

Certified

AHRI 

UL 



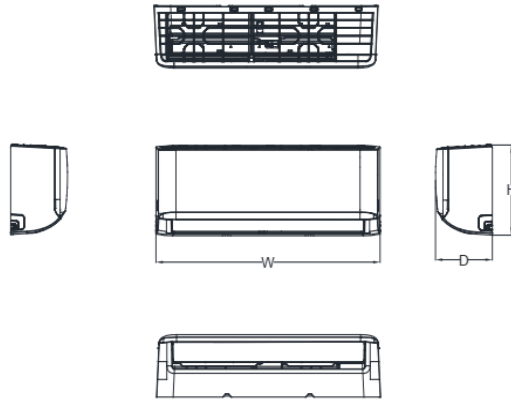
SYSTEM PERFORMANCE DATA		
Power supply		
Normal Operational Voltage (V, Ph, Hz)		208/230, 1, 60
Voltage Range (V)		187-253
Electrical		
Minimum circuit ampacity (A)		3.0
Max.fuse (A)		15
Connection wiring		14*4 AWG
Cooling		
Rated Capacity (Btu/h)		9000
Capacity Range (Btu/h)		2900~10500
Power Input (Max) (W)		715
Rated current (A)		3.11
SEER2 (Btu/W)		21.7
EER2 (Btu/W)		12.6
Heating at 47F		
Rated Capacity (Btu/h)		10000
Capacity Range (Btu/h)		2400~10500
Power Input (Max) (W)		905
Rated current (A)		3.94
HSPF2-4 (Btu/W)		9.4
HSPF2-5 (Btu/W)		7.2
COP W/W		3.24
Heating at 17F		
Max Capacity (Btu/h)		6000

REFRIGERANT PIPE DATA		
Design pressure (PSIG)		550/340
Refrigerant Type (Oz)		R410A/25.4
Refrigerant precharge (ft)		25.0
	(m)	7.6
Additional charge for each ft (oz/ft)		0.16
	(g/ft)	15
Liquid side/ Gas side (inch)		1/4" / 3/8"
	(mm)	Φ6.35 / Φ9.52
Max. pipe length (ft)		82.0
	(m)	25.0
Max. difference in level (ft)		32.8
	(m)	10.0
Connection method		(Flared)
Indoor(cooling/ heating) (Deg. °F)		60~90 / 32~86
	(Deg. °C)	16~32 / 0~30
Outdoor(cooling/heating) (Deg. °F)		5~122 / 5~75
	(Deg. °C)	-15~-50 / -15~24
Application area (sq.ft)		129.17~193.75
	(m2)	12~18

INDOOR UNIT DATA		
Indoor fan motor		
Type		Cross-Flow
Model		ZKFP-13-8-4
Qty		1
Input (W)		--
RLA (A)		--
LRA (A)		--
Winding Resistance (Ω)		--
Capacitor (uF)		--
Speed(Hi/Mi/Lo) (r/min)		1050/810/690
Air flow & Noise level		
Indoor air flow (Hi/Med/Lo) (No duct) (CFM)		246.47/176.47/141.18
Indoor noise level (Hi/Med/Lo) [dB(A)]		37/28/20
Dehumidification (Pint/H)		--
Indoor unit		
Dimension (WxDxH) (inch)		28.70x7.87x11.50
	(mm)	729x200x292
Packing(WxDxH) (inch)		31.10x10.63x14.76
	(mm)	790x270x375
Net/Gross weight (lbs.)		17.64/22.49
	(kg)	8.0/10.2

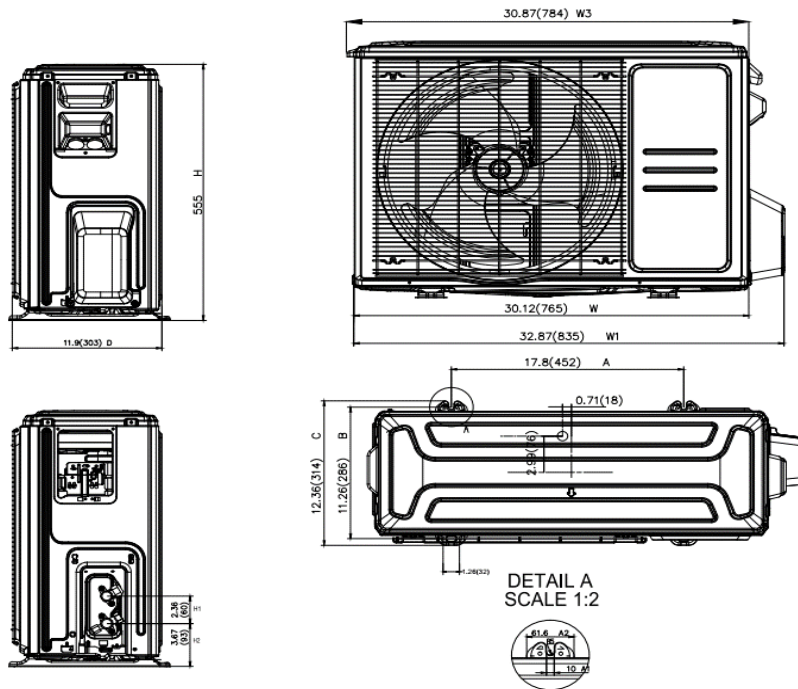
OUTDOOR UNIT DATA		
Compressor		
Type		KSK103D33UEZ3
Model		ROTARY
Brand		GMCC
Capacity (Btu/h)		6944 / 11107
Input (W)		325 / 826
Rated current (RLA) (A)		--
Refrigerant oil/oil charge (ml)		--
Throttle		Capillary
Outdoor fan motor		
Model		ZKFN-34-10-1-3
Qty		1
Input (W)		--
RLA (A)		--
Speed (r/min)		800/600
Air flow & Noise level		
Outdoor air flow (Max.) (CFM)		1294.12
Outdoor noise level [dB(A)]		54.50
Outdoor unit		
Dimension (W×D×H) (inch)		30.12x11.93x21.85
	(mm)	765x303x555
Packing (W×D×H) (inch)		34.92x13.27x24.02
	(mm)	887x337x610
Net/ Gross weight (lbs.)		55.11/60.85
	(kg)	25.0/27.6

Indoor unit dimension



Capacity	Body Code	W(mm/inch)	D(mm/inch)	H(mm/inch)
6K~11K	A	729/28.7	200/7.87	292/11.5
8K~14K	B	802/31.57	200/7.87	295/11.61
12K~21K	C	971/38.23	228/8.98	321/12.64
18K~28K	D	1082/42.6	234/9.21	337/13.27
27K~36K	F	1259/49.57	283/11.14	362/14.25

Outdoor unit dimension



General Features

Wireless Remote with LCD Display
46F Heating
Sleep Mode
Silent Mode
Self Clean
Follow Me (optional)

Extended Performance Data