


SUBMITTAL DATA SHEET




CGS12CD(I)/CGS12CD(O)	12,000 BTU/H(208/230V) Wall Mounted Heat Pump System
Location: _____	Approval: _____
Engineer: _____	Date: _____
Submitted to: _____	Construction: _____
Submitted by: _____	Unit #: _____
Reference: _____	Drawing #: _____

Set Model
 Indoor unit model CGS12CD(I)
 Outdoor unit model CGS12CD(O)

Certified

AHRI 

UL 



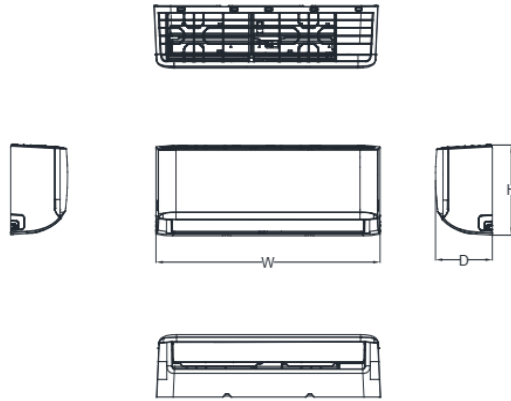
SYSTEM PERFORMANCE DATA		
Power supply		
Normal Operational Voltage (V, Ph, Hz)		208/230, 1, 60
Voltage Range (V)		187-253
Electrical		
Minimum circuit ampacity (A)		15
Max.fuse (A)		15
Connection wiring		14*4 AWG
Cooling		
Rated Capacity (Btu/h)		12000
Capacity Range (Btu/h)		3800~13350
Power Input (Max) (W)		1111
Rated current (A)		4.9
SEER2 (Btu/W)		21.4
EER2 (Btu/W)		10.8
Heating at 47F		
Rated Capacity (Btu/h)		12000
Capacity Range (Btu/h)		2730~13900
Power Input (Max) (W)		1039
Rated current (A)		4.6
HSPF2-4 (Btu/W)		9.2
HSPF2-5 (Btu/W)		6.9
COP		3.38
Heating at 17F		
Max Capacity (Btu/h)		9000

REFRIGERANT PIPE DATA		
Design pressure (PSIG)		550/340
Refrigerant Type (Oz)		R410A/28.6
Refrigerant precharge (ft)		25.0
	(m)	7.6
Additional charge for each ft (oz/ft)		0.16
	(g/ft)	15
Liquid side/ Gas side (inch)		1/4" / 1/2"
	(mm)	Φ6.35 / Φ12.7
Max. pipe length (ft)		82.0
	(m)	25.0
Max. difference in level (ft)		32.8
	(m)	10.0
Connection method		(Flared)
Indoor(cooling/ heating) (Deg. °F)		60~90 / 32~86
	(Deg. °C)	16~32 / 0~30
Outdoor(cooling/heating) (Deg. °F)		5~122 / 5~75
	(Deg. °C)	-15~50 / -15~24
Application area (sq.ft)		172.22~247.57
	(m2)	16~23

INDOOR UNIT DATA		
Indoor fan motor		
Type		Cross-Flow
Model		ZKFP-13-8-4
Qty		1
Input (W)		--
RLA (A)		--
LRA (A)		--
Winding Resistance (Ω)		--
Capacitor (uF)		--
Speed(Hi/Mi/Lo) (r/min)		1250/1070/800
Air flow & Noise level		
Indoor air flow (Hi/Med/Lo) (No duct) (CFM)		291.18/197.06/155.88
Indoor noise level (Hi/Med/Lo) [dB(A)]		41/35/24
Dehumidification (Pint/H)		--
Indoor unit		
Dimension (WxDxH) (inch)		31.57x7.87x11.61
	(mm)	802x200x295
Packing(WxDxH) (inch)		34.45x11.22x14.96
	(mm)	875x285x380
Net/Gross weight (lbs.)		18.74/24.03
	(kg)	8.5/10.9

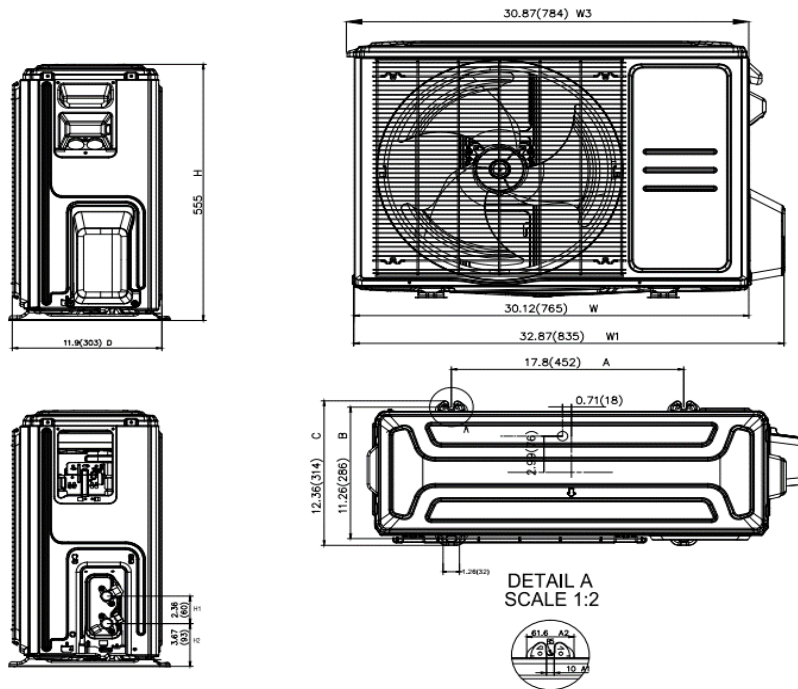
OUTDOOR UNIT DATA		
Compressor		
Type		KSN98D64UFZ3
Model		ROTARY
Brand		GMCC
Capacity (Btu/h)		6585 / 10578
Input (W)		292 / 765
Rated current (RLA) (A)		--
Refrigerant oil/oil charge (ml)		--
Throttle		Capillary
Outdoor fan motor		
Model		ZKFN-34-10-1-3
Qty		1
Input (W)		--
RLA (A)		--
Speed (r/min)		780/700/600
Air flow & Noise level		
Outdoor air flow (Max.) (CFM)		1235.29
Outdoor noise level [dB(A)]		53.5
Outdoor unit		
Dimension (W×D×H) (inch)		30.12x11.93x21.85
	(mm)	765x303x555
Packing (W×D×H) (inch)		34.92x13.27x24.02
	(mm)	887x337x610
Net/ Gross weight (lbs.)		59.30/64.82
	(kg)	26.9/29.4

Indoor unit dimension



Capacity	Body Code	W(mm/inch)	D(mm/inch)	H(mm/inch)
6K~11K	A	729/28.7	200/7.87	292/11.5
8K~14K	B	802/31.57	200/7.87	295/11.61
12K~21K	C	971/38.23	228/8.98	321/12.64
18K~28K	D	1082/42.6	234/9.21	337/13.27
27K~36K	F	1259/49.57	283/11.14	362/14.25

Outdoor unit dimension



General Features

Wireless Remote with LCD Display
46F Heating
Sleep Mode
Silent Mode
Self Clean
Follow Me (optional)

Extended Performance Data