



SUBMITTAL DATA SHEET



CHF12CD(I)/CHF12CD(O)	Wall Mounted Heat Pump System
Location: _____ Engineer: _____ Submitted to: _____ Submitted by: _____ Reference: _____	Approval: _____ Date: _____ Construction: _____ Unit #: _____ Drawing #: _____

**Set Model**  
 Indoor unit model CHF12CD(I)  
 Outdoor unit model CHF12CD(O)

**Certified**

AHRI		
UL		



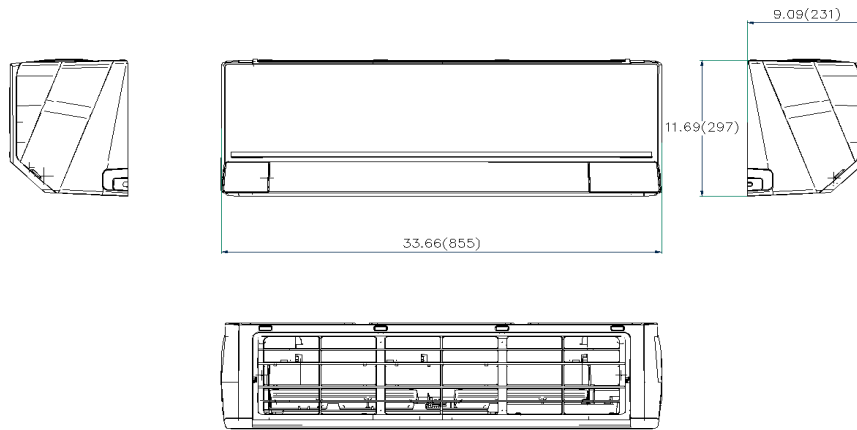
SYSTEM PERFORMANCE DATA		
<b>Power supply</b>		
Normal Operational Voltage (V, Ph, Hz)		208/230,1,60
Voltage Range (V)		187-253
<b>Electrical</b>		
Minimum circuit ampacity (A)		15.0
Max.fuse (A)		15.0
Connection wiring		16*4 AWG
<b>Cooling</b>		
Rated Capacity (Btu/h)		12000
Capacity Range (Btu/h)		3300~14300
Power Input (Max) (W)		857
Rated current (A)		3.72
SEER2 (Btu/W)		25.5
EER2 (Btu/W)		14
<b>Heating at 47F</b>		
Rated Capacity (Btu/h)		12000
Capacity Range (Btu/h)		5000~15300
Power Input (Max) (W)		907
Rated current (A)		4.1
HSPF2-4 (Btu/W)		10.4
HSPF2-5 (Btu/W)		8.0
COP W/W		3.88
<b>Heating at 17F</b>		
Max Capacity (Btu/h)		12000

REFRIGERANT PIPE DATA		
Design pressure (PSIG)		550/340
Refrigerant Type (Oz)		R410A/41.62
Refrigerant precharge (ft)		25.0
		7.6
Additional charge for each ft (oz/ft)		0.16
		15
Liquid side/ Gas side (inch)		1/4" / 1/2"
		6.35/12.7
Max. pipe length (ft)		82.0
		25.0
Max. difference in level (ft)		32.8
		10.0
Connection method		(Flared)
Indoor(cooling/ heating) (Deg. °F)		60~90 / 32~81
		(Deg. °C) 16~32 / 0~27
Outdoor(cooling/heating) (Deg. °F)		-22~122 / -22~75
		(Deg. °C) -30~50 / -30~24
Application area (sq.ft)		172.22~247.57
		(m2) 16~23

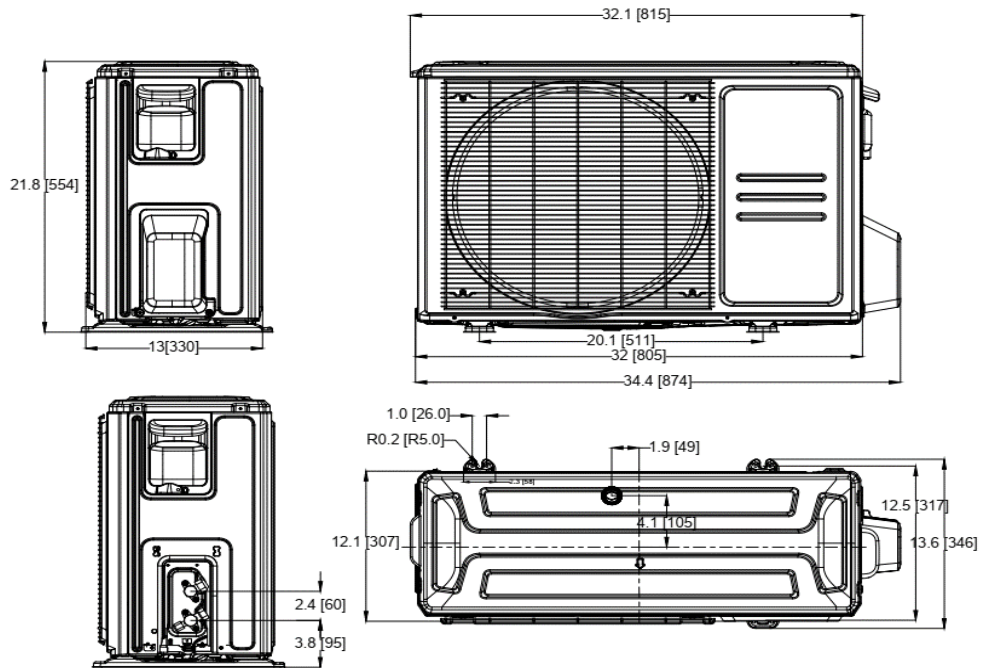
INDOOR UNIT DATA		
<b>Indoor fan motor</b>		
Type		Cross-Flow
Model		ZKFP-20-8-6-21
Qty		1
Input (W)		50.0
RLA (A)		0.25
LRA (A)		--
Winding Resistance (Ω)		--
Capacitor (uF)		--
Speed(Hi/Mi/Lo) (r/min)		1050/930/870
<b>Air flow &amp; Noise level</b>		
Indoor air flow (Hi/Med/Lo) (No duct) (CFM)		335.29/229.41/176.47
Indoor noise level (Hi/Med/Lo) [dB(A)]		38/33.5/23.5
<b>Dehumidification</b> (Pint/H)		--
<b>Indoor unit</b>		
Dimension (WxDxH) (inch)		31.30x8.86x11.61
		(mm) 795x225x295
Packing(WxDxH) (inch)		34.25x14.57x12.01
		(mm) 870x370x305
Net/Gross weight (lbs.)		22.93/28.88
		(kg) 10.4/13.1

OUTDOOR UNIT DATA		
<b>Compressor</b>		
Type		KTN110D42UFZ
Model		DUAL ROTARY
Brand		GMCC
Capacity (Btu/h)		11822.58
Input (W)		885
Rated current (RLA) (A)		--
Refrigerant oil/oil charge (ml)		--
Throttle		Capillary +EXV
<b>Outdoor fan motor</b>		
Model		ZKFN-34-10-1
Qty		1
Input (W)		--
RLA (A)		--
Speed (r/min)		850/680/450
<b>Air flow &amp; Noise level</b>		
Outdoor air flow (Max.) (CFM)		1323.50
Outdoor noise level [dB(A)]		56
<b>Outdoor unit</b>		
Dimension (W×D×H) (inch)		31.69x12.99x21.81
		(mm) 805x330x554
Packing (W×D×H) (inch)		36.02x14.57x24.21
		(mm) 915x370x615
Net/ Gross weight (lbs.)		73.63/79.37
		(kg) 33.4/36

Indoor unit dimension



Outdoor unit dimension



**General Features**

Intelligent Eye(optional)

Easy Installation

Easy Maintenance

Easy Clean

High Efficiency

Wireless Remote with LCD Display

**Extended Performance Data**