

SUBMITTAL DATA SHEET



| CHF18CD(I)/CHF18CD(O) | Wall Mounted Heat Pump System |
|-----------------------|-------------------------------|
| Location: _____       | Approval: _____               |
| Engineer: _____       | Date: _____                   |
| Submitted to: _____   | Construction: _____           |
| Submitted by: _____   | Unit #: _____                 |
| Reference: _____      | Drawing #: _____              |

|                    |            |
|--------------------|------------|
| <b>Set Code</b>    |            |
| Indoor unit code   |            |
| Outdoor unit code  |            |
| <b>Set Model</b>   |            |
| Indoor unit model  | CHF18CD(I) |
| Outdoor unit model | CHF18CD(O) |
| <b>Certified</b>   |            |
| AHRI               |            |
| UL                 |            |



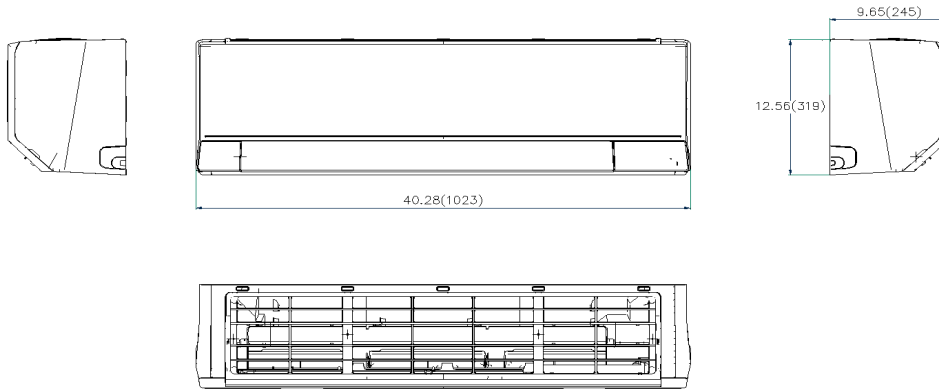
| SYSTEM PERFORMANCE DATA                |     |              |
|--|-----|--------------|
| <b>Power supply</b>                    |     |              |
| Normal Operational Voltage (V, Ph, Hz) |     | 208/230,1,60 |
| Voltage Range (V)                      |     | 187-253      |
| <b>Electrical</b>                      |     |              |
| Minimum circuit ampacity (A)           |     | 16.0         |
| Max.fuse (A)                           |     | 25.0         |
| Connection wiring                      |     | 16*4 AWG     |
| <b>Cooling</b>                         |     |              |
| Rated Capacity (Btu/h)                 |     | 18000        |
| Capacity Range (Btu/h)                 |     | 8870~19400   |
| Power Input (Max) (W)                  |     | 1440         |
| Rated current (A)                      |     | 6.3          |
| SEER2 (Btu/W)                          |     | 21.5         |
| EER2 (Btu/W)                           |     | 12.5         |
| <b>Heating at 47F</b>                  |     |              |
| Rated Capacity (Btu/h)                 |     | 18000        |
| Capacity Range (Btu/h)                 |     | 15100~19500  |
| Power Input (Max) (W)                  |     | 1700         |
| Rated current (A)                      |     | 7.3          |
| HSPF2-4 (Btu/W)                        |     | 10.7         |
| HSPF2-5 (Btu/W)                        |     | 7.9          |
| COP                                    | W/W | 3.10         |
| <b>Heating at 17F</b>                  |     |              |
| Max Capacity (Btu/h)                   |     | 20270        |

| REFRIGERANT PIPE DATA                 |           |                   |
|---------------------------------------|-----------|-------------------|
| Design pressure (PSIG)                |           | 550/340           |
| Refrigerant Type (Oz)                 |           | R410A/65.2        |
| Refrigerant precharge (ft)            |           | 25.0              |
|                                       | (m)       | 7.6               |
| Additional charge for each ft (oz/ft) |           | 0.16              |
|                                       | (g/ft)    | 15                |
| Liquid side/ Gas side (inch)          |           | 1/4" / 1/2"       |
|                                       | (mm)      | 6.35/12.7         |
| Max. pipe length (ft)                 |           | 98.0              |
|                                       | (m)       | 30.0              |
| Max. difference in level (ft)         |           | 66.0              |
|                                       | (m)       | 20.0              |
| Connection method                     |           | (Flared)          |
| Indoor(cooling/ heating) (Deg. °F)    |           | 63~90 / 32~86     |
|                                       | (Deg. °C) | 17~32 / 0~30      |
| Outdoor(cooling/heating) (Deg. °F)    |           | -22~122 / -22~75  |
|                                       | (Deg. °C) | -30~50 / -30 ~ 24 |
| Application area (sq.ft)              |           | 258.33~376.74     |
|                                       | (m2)      | 24~35             |

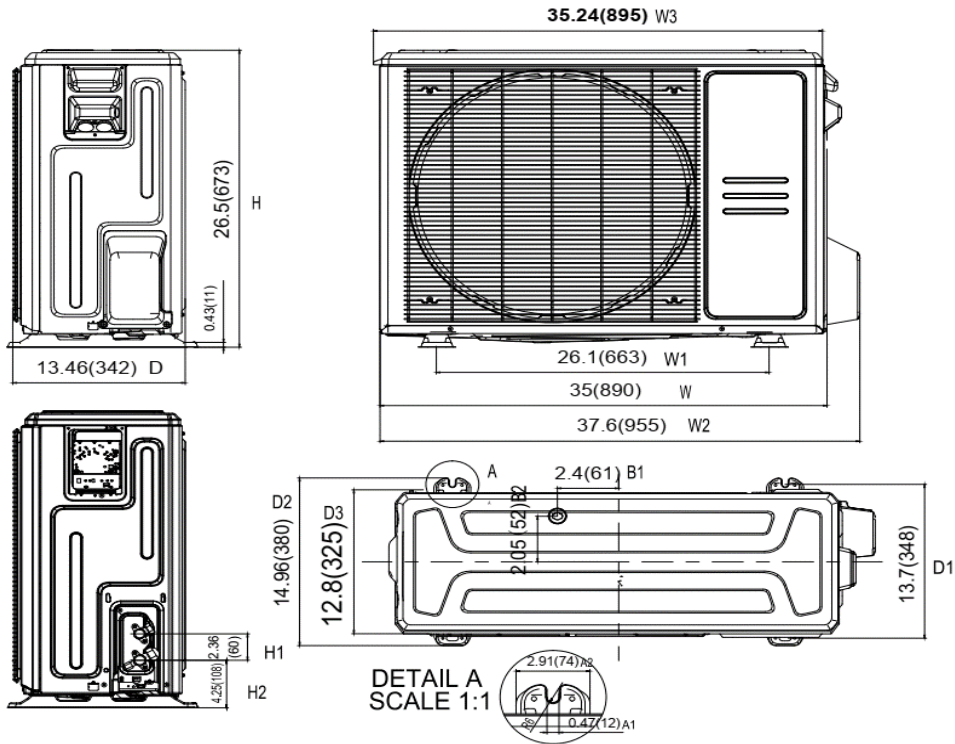
| INDOOR UNIT DATA                            |      |                      |
|---|------|----------------------|
| <b>Indoor fan motor</b>                     |      |                      |
| Type  |      | Cross-Flow           |
| Model                                       |      | ZKFP-30-8-3-10       |
| Qty   |      | 1                    |
| Input (W)                                   |      | 36.0                 |
| RLA (A)                                     |      | 0.4                  |
| LRA (A)                                     |      | --                   |
| Winding Resistance (Ω)                      |      | --                   |
| Capacitor (uF)                              |      | --                   |
| Speed(Hi/Mi/Lo) (r/min)                     |      | 1240/1024/916        |
| <b>Air flow &amp; Noise level</b>           |      |                      |
| Indoor air flow (Hi/Med/Lo) (No duct) (CFM) |      | 523.53/376.47/305.88 |
| Indoor noise level (Hi/Med/Lo) [dB(A)]      |      | 46/42/24             |
| Dehumidification (Pint/H)                   |      | --                   |
| <b>Indoor unit</b>                          |      |                      |
| Dimension (WxDxH) (inch)                    |      | 37.99x9.41x12.56     |
|   | (mm) | 965x239x319          |
| Packing(WxDxH) (inch)                       |      | 41.14x15.75x12.80    |
|   | (mm) | 1045x400x325         |
| Net/Gross weight (lbs.)                     |      | 27.12/35.71          |
|   | (kg) | 12.3/16.2            |

| OUTDOOR UNIT DATA                 |      |                   |
|-----------------------------------|------|-------------------|
| <b>Compressor</b>                 |      |                   |
| Type                              |      | KTM240D43UKT      |
| Model                             |      | DUAL ROTARY       |
| Brand                             |      | GMCC              |
| Capacity (Btu/h)                  |      | 25932.27641       |
| Input (W)                         |      | 2045              |
| Rated current (RLA) (A)           |      | --                |
| Refrigerant oil/oil charge (ml)   |      | --                |
| Throttle                          |      | Capillary +EXV    |
| <b>Outdoor fan motor</b>          |      |                   |
| Model                             |      | ZKFN-80-8-3       |
| Qty                               |      | 1                 |
| Input (W)                         |      | --                |
| RLA (A)                           |      | --                |
| Speed (r/min)                     |      | 810/720           |
| <b>Air flow &amp; Noise level</b> |      |                   |
| Outdoor air flow (Max.) (CFM)     |      | 1764.70           |
| Outdoor noise level [dB(A)]       |      | 59                |
| <b>Outdoor unit</b>               |      |                   |
| Dimension (W×D×H) (inch)          |      | 35.04x13.46x26.50 |
|                                   | (mm) | 890x342x673       |
| Packing (W×D×H) (inch)            |      | 39.17x15.67x29.13 |
|                                   | (mm) | 995x398x740       |
| Net/ Gross weight (lbs.)          |      | 100.97/108.03     |
|                                   | (kg) | 45.8/49           |

Indoor unit dimension



Outdoor unit dimension



**General Features**

Intelligent Eye(optional)

Easy Installation

Easy Maintenance

Easy Clean

High Efficiency

Wireless Remote with LCD Display

**Extended Performance Data**