

SUBMITTAL DATA SHEET



<b>CMZ-54-5Z</b>	
Location: _____ Engineer: _____ Submitted to: _____ Submitted by: _____ Reference: _____	Approval: _____ Date: _____ Construction: _____ Unit #: _____ Drawing #: _____

Outdoor unit model      CMZ-54-5Z

**Certified**                      UL     



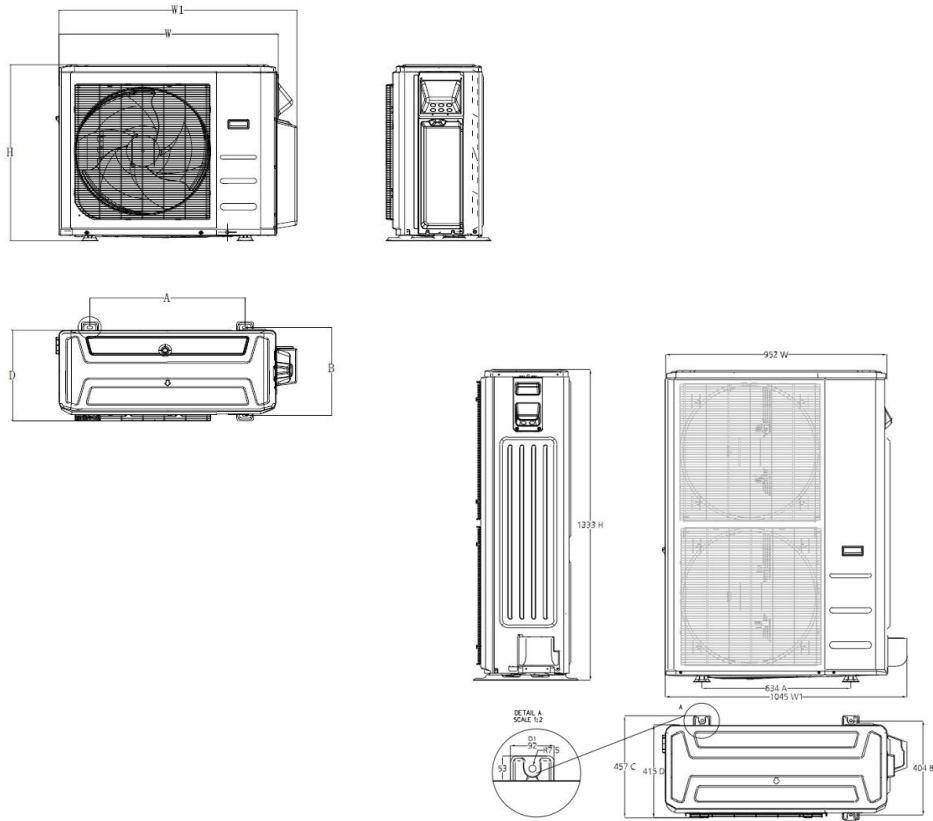
SYSTEM PERFORMANCE DATA		
<b>Power supply</b>		
Normal Operational Voltage	(V, Ph, Hz)	208/230, 1, 60
Voltage Range	(V)	187-253
<b>Cooling</b>		
Capacity	Btu/h	48000(19000~50000)
Input	W	3840.0
Rated current	A	16.8
<b>Heating</b>		
Capacity	Btu/h	48000(12500~52000)
Input	W	3910.00
Rated current	A	17.10

OUTDOOR UNIT DATA		
<b>Compressor</b>		
Model		ATQ360D1UMU
Type		ROTARY
Brand		GMCC
Capacity	(Btu/h)	38214
Input	(W)	3040
Rated current (RLA)	(A)	-
Refrigerant oil/oil charge	(ml)	VG74/1400
Throttle		Capillary +EXV
<b>Air flow &amp; Noise level</b>		
Outdoor air flow (Max.)	(CFM)	4500.00
Outdoor noise level	[dB(A)]	64
<b>Outdoor unit</b>		
Dimension (W×D×H)	(inch)	37.48x16.34x52.48
	(mm)	952x415x1333
Packing (W×D×H)	(inch)	43.11x19.49x58.27
	(mm)	1095x495x1480
Net/ Gross weight	(lbs.)	225.53/256.62
	(kg)	102.3/116.4
<b>Outdoor (cooling/heating)</b>	(Deg. °F)	-13~122/ -13~86
	(Deg. °C)	-25~50/ -25~30

REFRIGERANT PIPE DATA		
Design pressure	(PSIG)	550/340
Refrigerant Type	(Oz)	R410A/162
Refrigerant precharge	(ft)	123.0
	(m)	37.5
Additional charge for each ft-Φ6.35 (1/4") liquid pipe	(oz/ft)	0.161
Additional charge for each ft-Φ9.52 (3/8") liquid pipe	(oz/ft)	0.322
Liquid side/ Gas side	(inch)	5 x 1/4"/3 x 3/8" + 2 x 1/2"
	(mm)	5 x Φ6.35/3 x Φ9.52 + 2 x Φ12.7
Max. length for all rooms	(ft)	262
Max. length for one indoor	(ft)	115
Max. height difference between indoor and outdoor unit	(ft)	49
Max. height difference between indoor units	(ft)	33

EER2 (Non-ducted)	12.5	EER2 (Ducted)	10.8	MIX EER2	11.65
SEER2 (Non-ducted)	23.4	SEER2 (Ducted)	20.5	MIX SEER2	21.95
HSPF2-4(Non-ducted)	8.7	HSPF2-4(Ducted)	9.7	MIX HSPF2-4	9.20
HSPF2-5(Non-ducted)	6.8	HSPF2-5(Ducted)	7.2	MIX HSPF2-5	7.00

### Outdoor unit dimension



Model	Unit	W	D	H	W1	A	B	C	D
CMZ-18-2Z	mm	890	342	673	990	663	354	/	/
	inch	35.04	13.46	26.5	38.98	26.1	13.94	/	/
CVH-18-2SH CMZ-27-3Z CVH-27-3SH CMZ-48-4Z	mm	946	410	810	1034	673	403	/	/
	inch	37.24	16.14	31.89	40.6	26.5	15.9	/	/
CVH-36-4SH CMZ-54-5Z CMZ-60-5Z CVH-60-5SH	mm	952	415	1333	1045	634	404	457	415
	inch	37.48	16.34	52.48	411.4	249.6	159.1	179.9	163.4

### 24V INTERFACE KIT

