
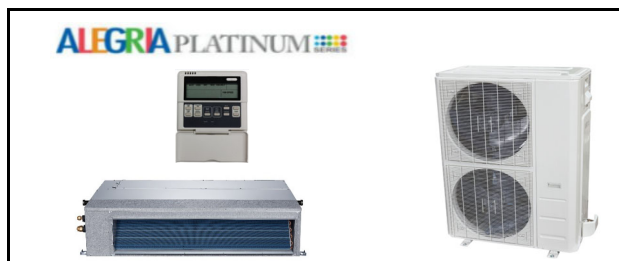


SUBMITTAL DATA SHEET

ComfortStar®

CPA-48DUB/CZP48CD(O)	48,000 BTU/H(208/230V) Wall Mounted Heat Pump System
Location: _____	Approval: _____
Engineer: _____	Date: _____
Submitted to: _____	Construction: _____
Submitted by: _____	Unit #: _____
Reference: _____	Drawing #: _____

Set Model		CPA-48DUB Indoor unit model
		CZP48CD(O) Outdoor unit model
Certified	AHRI	
	CSA	



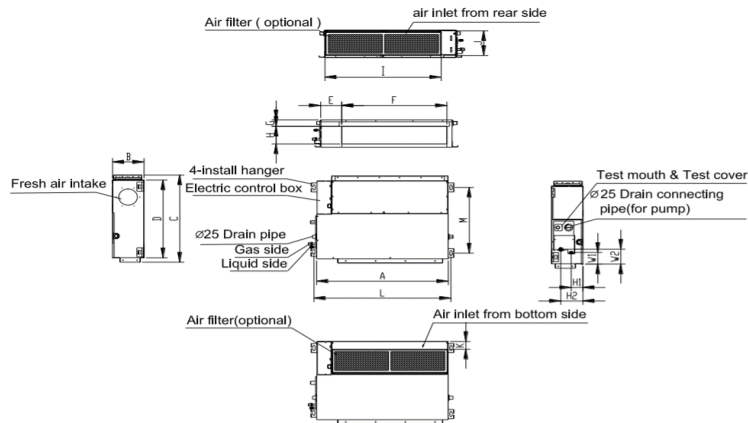
SYSTEM PERFORMANCE DATA			
Power supply			
Normal Operational Voltage	(V, Ph, Hz)		208/230, 1, 60
Voltage Range	(V)		187-253
Electrical			
Minimum circuit ampacity	(A)		36.5
Max.fuse	(A)		50.0
Connection wiring		14AWG*2 Stranded, shielded	
Cooling			
Rated Capacity	(Btu/h)		48000
Capacity Range	(Btu/h)		12077~48000
Power Input (Max)	(W)		5217
Rated current	(A)		23.14
SEER2	(Btu/W)		15.1
EER2	(Btu/W)		8.5
Heating at 47F			
Rated Capacity	(Btu/h)		50000
Capacity Range	(Btu/h)		11607~50000
Power Input (Max)	(W)		4885
Rated current	(A)		21.5
HSPF2-4	(Btu/W)		9.3
HSPF2-5	(Btu/W)		7.3
COP2	W/W		3.00
Heating at 17F			
Max Capacity	(Btu/h)		39000

REFRIGERANT PIPE DATA			
Design pressure	(PSIG)		550/340
Refrigerant Type	(Oz)		R410A/158.7
Refrigerant precharge	(ft)		25.0
	(m)		7.6
Additional charge for each ft	(oz/ft)		0.32
	(g/ft)		30
Liquid side/ Gas side	(inch)		3/8" / 5/8"
	(mm)		9.52/15.9
Max. pipe length	(ft)		213.0
	(m)		65.0
Max. difference in level	(ft)		98.0
	(m)		30.0
Connection method			(Flared)
Indoor(cooling/ heating)	(Deg. °F)	32~86 / 688.89~1011.81	
	(Deg. °C)	0~30 / 64~94	
Outdoor(cooling/heating)	(Deg. °F)	5~122 / 5~75	
	(Deg. °C)	-15~50 / -15~30	
Application area	(sq.ft)	688.89~1011.81	
	(m2)	64~94	

INDOOR UNIT DATA			
Indoor fan motor			
Type			Cross-Flow
Model			ZKFN-560-8-1-1
Qty			1
Input	(W)		560.0
RLA	(A)		--
LRA	(A)		--
Winding Resistance	(Ω)		--
Capacitor	(uF)		--
Speed(Hi/Mi/Lo)	(r/min)		890/820/840
Air flow & Noise level			
Indoor air flow (Hi/Med/Lo) (No duct)	(CFM)	1228.41/1031.00/714.65	
Indoor noise level (Hi/Med/Lo)	[dB(A)]	52.0/50.0/49.0	
Dehumidification	(Pint/H)	---	
Indoor unit			
Dimension (WxDxH)	(inch)	47.24x34.41x11.81	
	(mm)	1200x874x300	
Packing(WxDxH)	(inch)	55.31x36.02x13.98	
	(mm)	1405x915x355	
Net/Gross weight	(lbs.)	120/142	
	(kg)	54.3/64.3	

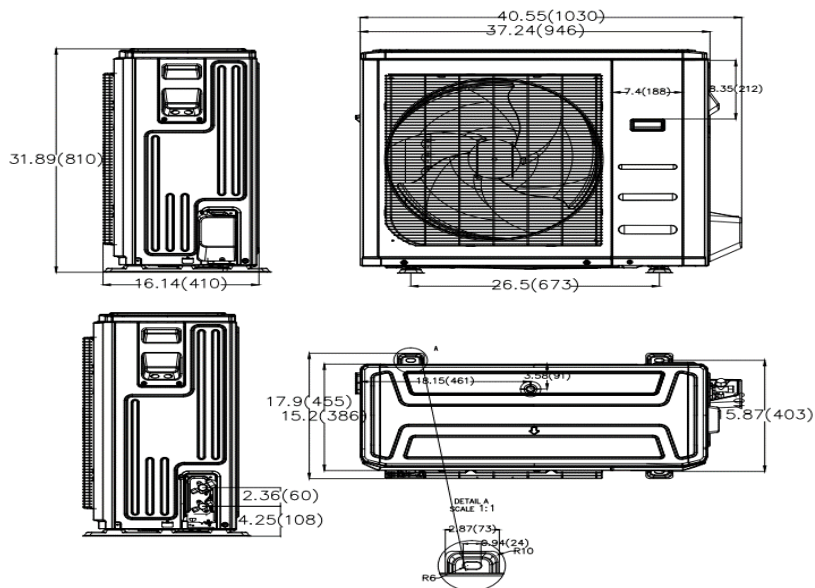
OUTDOOR UNIT DATA			
Compressor			
Type			KTQ420D1UMU
Model			ROTARY
Brand			GMCC
Capacity	(Btu/h)		44697
Input	(W)		3420
Rated current (RLA)	(A)		-
Refrigerant oil/oil charge	(ml)		INT01L-4639
Throttle			Capillary +EXV
Outdoor fan motor			
Model			ZKFN-85-8-22
Qty			2
Input	(W)		--
RLA	(A)		--
Speed	(r/min)		900/850/800/750
Air flow & Noise level			
Outdoor air flow (Max.)	(CFM)	4500.00	
Outdoor noise level	[dB(A)]	63.5	
Outdoor unit			
Dimension (W×D×H)	(inch)	37.48x16.34x52.48	
	(mm)	952x415x1333	
Packing (W×D×H)	(inch)	43.11x19.49x58.27	
	(mm)	1095x495x1480	
Net/ Gross weight	(lbs.)	219.14/249.12	
	(kg)	99.4/113	

Indoor unit dimension



Model (Kbtu/h)	unit	A	B	C	D	E	F	G	H	I	J	K	L	M	H1	H2	W1	W2
		9/12	mm	700	200	506	450	137	537	30	152	599	186	50	741	360	84	140
	inch	27.6	7.9	19.9	17.7	5.4	21.1	1.2	6.0	23.6	7.3	2.0	29.2	14.2	3.3	5.5	3.3	3.3
18	mm	880	210	674	600	140	706	50	136	782	190	40	920	508	78	148	88	112
	inch	34.6	8.3	26.5	23.6	5.5	27.8	2.0	5.4	30.8	7.5	1.6	36.2	20.0	3.1	5.8	3.5	4.4
24	mm	1100	249	774	700	140	926	50	175	1001	228	5	1140	598	80	150	130	155
	inch	43.3	9.8	30.5	27.6	5.5	36.5	2.0	6.9	39.4	9.0	0.2	44.9	23.5	3.1	5.9	5.1	6.1
36	mm	1360	249	774	700	140	1186	50	175	1261	228	5	1400	598	80	150	130	155
	inch	53.5	9.8	30.5	27.6	5.5	46.7	2.0	6.9	49.6	9.0	0.2	55.1	23.5	3.1	5.9	5.1	6.1
48	mm	1200	300	874	800	123	1044	50	227	1101	280	5	1240	697	80	150	185	210
	inch	47.2	11.8	34.4	31.5	4.8	41.1	2.0	8.9	43.3	11.0	0.2	48.8	27.4	3.1	5.9	7.3	8.3

Outdoor unit dimension



General Features

Wired controller
Weekly-time wired controller(optional)
Central controller
Long distance Alarm and ON/OFF controller
Build-in pump

Extended Performance Data