

SUBMITTAL DATA SHEET



<b>CPA-60DU/CHF60CD(O)</b>	<b>60,000 BTU/H(208/230V) Wall Mounted Heat Pump System</b>
Location: _____	Approval: _____
Engineer: _____	Date: _____
Submitted to: _____	Construction: _____
Submitted by: _____	Unit #: _____
Reference: _____	Drawing #: _____

**Set Model**  
 Indoor unit model CPA-60DU  
 Outdoor unit model CHF60CD(O)

**Certified**

AHRI

CSA



**SYSTEM PERFORMANCE DATA**

<b>Power supply</b>		
Normal Operational Voltage	(V, Ph, Hz)	208/230V, 1Ph, 60Hz
Voltage Range	(V)	187-253
<b>Electrical</b>		
Minimum circuit ampacity	(A)	47.0
Max.fuse	(A)	60.0
Connection wiring		14AWG*2 Stranded, shielded
<b>Cooling</b>		
<b>Rated Capacity</b>		
Capacity Range	(Btu/h)	55000(12000~59000)
Power Input	(W)	5850(1200~6450)
Rated current	(A)	26(5~28.5)
SEER2	(Btu/W)	15.8
EER2	(Btu/W)	9.4
<b>Heating</b>		
Rated Capacity	(Btu/h)	57000
Capacity Range	(Btu/h)	12000~63600
Power Input	(W)	4950(1600~5250)
Rated current	(A)	22.0(6.8~23)
HSPF2-4	(Btu/W)	9.5
HSPF2-5	(Btu/W)	7.8
COP	W/W	3.37
Heat at 17F	(Btu/h)	54000
Heat at 5F	(Btu/h)	53000
COP at 5F	W/W	2

**REFRIGERANT PIPE DATA**

Throttle type	Indoor unit	NA
	Outdoor unit	EXV+Throttle valve
Design pressure	(PSIG)	550/340
Refrigerant Type	(Oz)	R410A/170oz
Refrigerant precharge	(ft)	25.0
	(m)	7.5
Additional charge for each ft	(oz/ft)	0.32
Additional charge for each m	(g/m)	30.0
Liquid side/ Gas side(indoor)	(inch)	3/8" / 3/4"
	(mm)	9.52/19
Liquid side/ Gas side(outdoor)	(inch)	3/8" / 7/8"
	(mm)	9.52/22
Max. pipe length	(ft)	213.3
	(m)	65.0
Max. difference in level	(ft)	98.4
	(m)	30.0
Connection method		Flared
Indoor(cooling/heating)	(Deg. °F)	62~90/32~86
	(Deg. °C)	17~32/0~30
Outdoor(cooling/heating)	(Deg. °F)	5~122/ -22~75
	(Deg. °C)	-15~-50/ -30~24

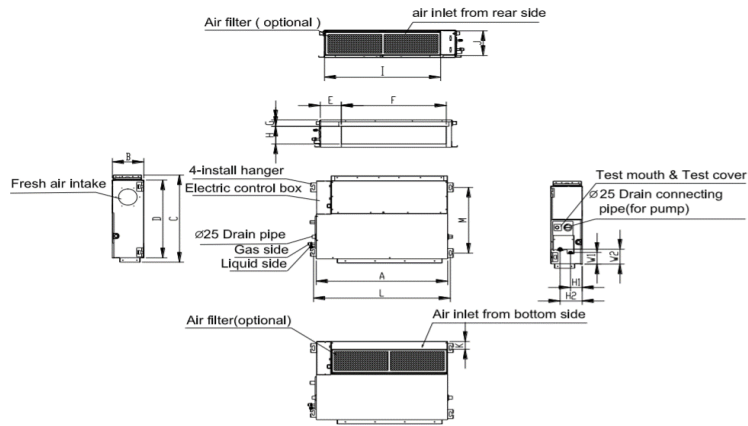
**INDOOR UNIT DATA**

<b>Indoor fan motor</b>		
Model		ZKFN-700-8-1
Qty		1
Input	(W)	420.0
Output	(W)	700.0
RLA	(A)	0.0
Speed(Hi/Mi/Lo)	(r/min)	1060/910/790
<b>Air flow &amp; Noise level</b>		
Indoor air flow (Hi/Med/Lo) (No duct)	(CFM)	2155.88/1709.41/1261.76
Indoor noise level (Hi/Med/Lo)	[dB(A)]	54/49.5/46
Dehumidification	(Pint/H)	
<b>Indoor unit</b>		
Dimension (WxDxH)	(inch)	55.12x33.78x18.11
	(mm)	1400x858x460
Packing(WxDxH)	(inch)	63.19x35.83x21.06
	(mm)	1605x910x535
Net/Gross weight	(lbs.)	174.60/200.40
	(kg)	79.2/90.9
<b>Accessories</b>		
Adaptor(3/4" to 7/8")	Qty	1

**OUTDOOR UNIT DATA**

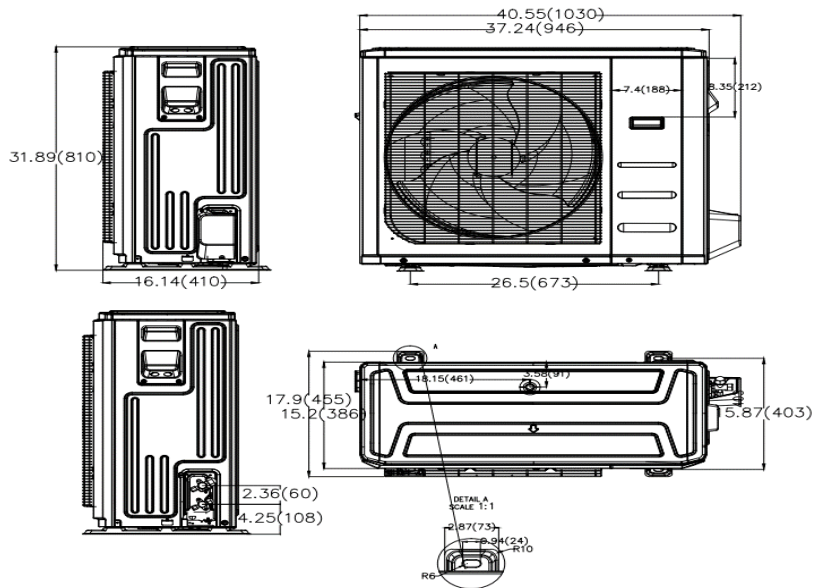
<b>Compressor</b>		
Type		Rotary
Model		EAPQ440D1UMUA
Brand		GMCC
Capacity	(Btu/h)	46335
Input	(W)	3770
Rated current (RLA)	(A)	7.3
Refrigerant oil/oil charge	(ml)	VG75/1300
<b>Outdoor fan motor</b>		
Model		ZKFN-85-8-22-5
Qty		2
Input	(W)	126.0
Output	(W)	85
RLA	(A)	1.5
Speed	(r/min)	850/700
<b>Air flow &amp; Noise level</b>		
Outdoor air flow (Max.)	(CFM)	4235
Outdoor noise level	[dB(A)]	60.5
<b>Outdoor unit</b>		
Dimension (WxDxH)	(inch)	37.48x16.34x52.48
	(mm)	952x415x1333
Packing (WxDxH)	(inch)	43.11x19.49x58.27
	(mm)	1095x495x1480
Net/ Gross weight	(lbs.)	240.74/271.61
	(kg)	109.2/123.2

Indoor unit dimension



Model (KBTuh)	unit	A	B	C	D	E	F	G	H	I	J	K	L	M	H1	H2	W1	W2
9/12	mm	700	200	506	450	137	537	30	152	599	186	50	741	360	84	140	84	84
	inch	27.6	7.9	19.9	17.7	5.4	21.1	1.2	6.0	23.6	7.3	2.0	29.2	14.2	3.3	5.5	3.3	3.3
18	mm	880	210	674	600	140	706	50	136	782	190	40	920	508	78	148	88	112
	inch	34.6	8.3	26.5	23.6	5.5	27.8	2.0	5.4	30.8	7.5	1.6	36.2	20.0	3.1	5.8	3.5	4.4
24	mm	1100	249	774	700	140	926	50	175	1001	228	5	1140	598	80	150	130	155
	inch	43.3	9.8	30.5	27.6	5.5	36.5	2.0	6.9	39.4	9.0	0.2	44.9	23.5	3.1	5.9	5.1	6.1
36	mm	1360	249	774	700	140	1186	50	175	1261	228	5	1400	598	80	150	130	155
	inch	53.5	9.8	30.5	27.6	5.5	46.7	2.0	6.9	49.6	9.0	0.2	55.1	23.5	3.1	5.9	5.1	6.1
48	mm	1200	300	874	800	123	1044	50	227	1101	280	5	1240	697	80	150	185	210
	inch	47.2	11.8	34.4	31.5	4.8	41.1	2.0	8.9	43.3	11.0	0.2	48.8	27.4	3.1	5.9	7.3	8.3

Outdoor unit dimension



**General Features**

Wired controller  
Weekly-time wired controller(optional)  
Central controller  
Long distance Alarm and ON/OFF controller  
Build-in pump

**Extended Performance Data**