

SUBMITTAL DATA SHEET



<b>FPA-36DU/CHF36CD(O)</b>	<b>36,000 BTU/H(208/230V) Wall Mounted Heat Pump System</b>
Location: _____	Approval: _____
Engineer: _____	Date: _____
Submitted to: _____	Construction: _____
Submitted by: _____	Unit #: _____
Reference: _____	Drawing #: _____

**Set Model**  
 Indoor unit model: FPA-36DU  
 Outdoor unit model: CHF36CD(O)

**Certified**  
 AHRI   
 CSA



**SYSTEM PERFORMANCE DATA**

Power supply			
Normal Operational Voltage	(V, Ph, Hz)	208/230, 1, 60	
Voltage Range	(V)	187-253	
Electrical			
Minimum circuit ampacity	(A)	41.0	
Max.fuse	(A)	50.0	
Connection wiring		14AWG*2 Stranded, shielded	
Cooling			
Rated Capacity	(Btu/h)	36000	
Capacity Range	(Btu/h)	7774~42165	
Power Input (Max)	(W)	4200	
Rated current	(A)	17.8	
SEER2	(Btu/W)	18	
EER2	(Btu/W)	9	
Heating at 47F			
Rated Capacity	(Btu/h)	39000	
Capacity Range	(Btu/h)	11501~45750	
Power Input (Max)	(W)	4250	
Rated current	(A)	19	
HSPF2-4	(Btu/W)	10	
HSPF2-5	(Btu/W)	8	
COP	W/W	2.69	
Heating at 17F			
Max Capacity	(Btu/h)	25000	

**REFRIGERANT PIPE DATA**

Design pressure	(PSIG)	550/340	
Refrigerant Type	(Oz)	R410A/148	
Refrigerant precharge	(ft)	25.0	
	(m)	7.6	
Additional charge for each ft	(oz/ft)	0.32	
	(g/ft)	30	
Liquid side/ Gas side	(inch)	3/8" / 5/8"	
	(mm)	9.52/15.9	
Max. pipe length	(ft)	213.0	
	(m)	65.0	
Max. difference in level	(ft)	98.0	
	(m)	30.0	
Connection method		(Flared)	
Indoor/Outdoor Conditions			
Indoor(cooling/ heating)	(Deg. °F)	/ No	
	(Deg. °C)	92/188/213 / Yes	
Outdoor(cooling/heating)	(Deg. °F)	-22~122 / -22~75	
	(Deg. °C)	-30~50 / -30~24	
Application area	(sq.ft)	516.67~753.47	
	(m2)	48~70	

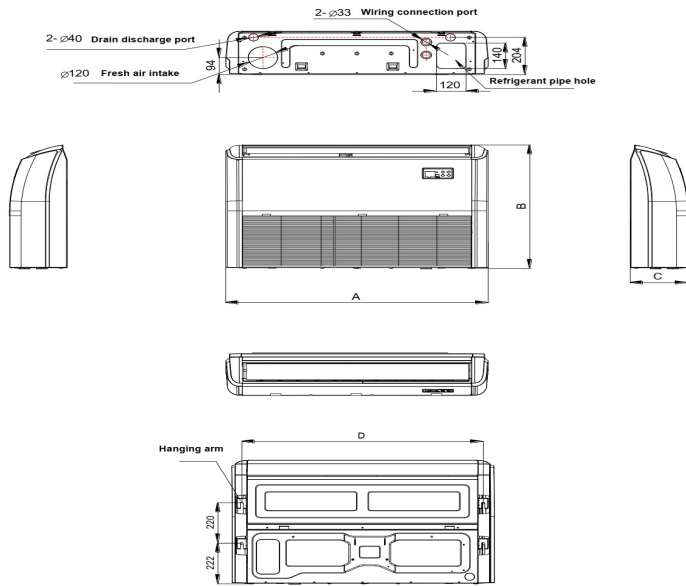
**INDOOR UNIT DATA**

Indoor fan motor			
Type		Cross-Flow	
Model		ZKFN-115-8-1	
Qty		1	
Input	(W)	130.0	
RLA	(A)	-	
LRA	(A)	---	
Winding Resistance	(Ω)	---	
Capacitor	(uF)	---	
Speed(Hi/Mi/Lo)	(r/min)	1300/1150/800	
Air flow & Noise level			
Indoor air flow (Hi/Med/Lo) (No duct)	(CFM)	1036.47/917.06/637.65	
Indoor noise level (Hi/Med/Lo)	[dB(A)]	51.5/48.0/40.5	
Dehumidification			
	(Pint/H)	---	
Indoor unit			
Dimension (WxDxH)	(inch)	50.59x26.57x9.25	
	(mm)	1285x675x235	
Packing(WxDxH)	(inch)	53.54x29.72x12.32	
	(mm)	1360x755x318	
Net/Gross weight	(lbs.)	69.00/81.57	
	(kg)	31.3/37	

**OUTDOOR UNIT DATA**

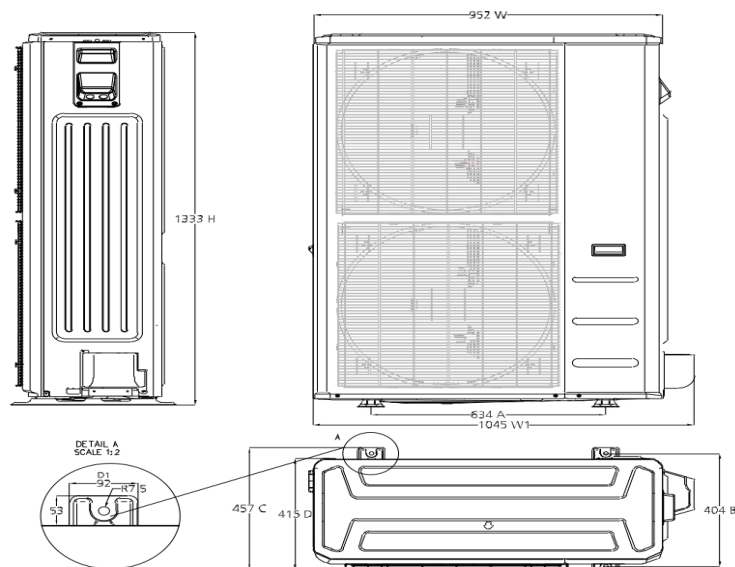
Compressor			
Type		EAPQ420D1UMUA	
Model		ROTARY	
Brand		GMCC	
Capacity	(Btu/h)	44015	
Input	(W)	3565	
Rated current (RLA)	(A)	-	
Refrigerant oil/oil charge	(ml)	INT01L-4639	
Throttle		Capillary +EXV	
Outdoor fan motor			
Model		ZKFN-85-8-22-5	
Qty		2	
Input	(W)	--	
RLA	(A)	--	
Speed	(r/min)	900/850/800/750	
Air flow & Noise level			
Outdoor air flow (Max.)	(CFM)	4500.00	
Outdoor noise level	[dB(A)]	63.0	
Outdoor unit			
Dimension (W×D×H)	(inch)	37.48x16.34x52.48	
	(mm)	952x415x1333	
Packing (W×D×H)	(inch)	43.11x19.49x58.27	
	(mm)	1095x495x1480	
Net/ Gross weight	(lbs.)	220.24/248.02	
	(kg)	99.9/112.5	

### Indoor unit dimension



Capacity (Btu/h)	Unit	A	B	C	D
18K / 24K	mm	1068	675	235	983
	inch	42.05	26.57	9.25	38.70
36K	mm	1285	675	235	1200
	inch	50.59	26.57	9.25	47.24
48K/60K	mm	1650	675	235	1565
	inch	64.96	26.57	9.25	61.61

### Outdoor unit dimension



**General Features**

Wired controller(optional)  
Weekly-time wired controller(optional)  
Central controller  
Long distance Alarm and ON/OFF controller(optional)  
Build-in pump(optional)  
3D airflow

**Extended Performance Data**