

SUBMITTAL DATA SHEET



FPA-48DU/CHF48CD(O)	48,000 BTU/H(208/230V) Wall Mounted Heat Pump System
Location: _____	Approval: _____
Engineer: _____	Date: _____
Submitted to: _____	Construction: _____
Submitted by: _____	Unit #: _____
Reference: _____	Drawing #: _____

Set Model
 Indoor unit model FPA-48DU
 Outdoor unit model CHF48CD(O)

Certified

AHRI

CSA



SYSTEM PERFORMANCE DATA

Power supply

Normal Operational Voltage	(V, Ph, Hz)	208/230, 1, 60
Voltage Range	(V)	187-253

Electrical

Minimum circuit ampacity	(A)	42.0
Max.fuse	(A)	50.0
Connection wiring		14AWG*2 Stranded, shielded

Cooling

Rated Capacity	(Btu/h)	48000
Capacity Range	(Btu/h)	2150~48051
Power Input (Max)	(W)	5930
Rated current	(A)	24.86
SEER2	(Btu/W)	17.0
EER2	(Btu/W)	9.8

Heating at 47F

Rated Capacity	(Btu/h)	51000
Capacity Range	(Btu/h)	11889~56363
Power Input (Max)	(W)	4930
Rated current	(A)	20.60
HSPF2-4	(Btu/W)	9.8
HSPF2-5	(Btu/W)	7.5
COP	W/W	2.97

Heating at 17F

Max Capacity	(Btu/h)	35000
--------------	---------	-------

REFRIGERANT PIPE DATA

Design pressure	(PSIG)	550/340
Refrigerant Type	(Oz)	R410A/148
Refrigerant precharge	(ft)	25.0
	(m)	7.6
Additional charge for each ft	(oz/ft)	0.32
	(g/ft)	30
Liquid side/ Gas side	(inch)	3/8" / 5/8"
	(mm)	9.52/15.9
Max. pipe length	(ft)	213.0
	(m)	65.0
Max. difference in level	(ft)	98.0
	(m)	30.0
Connection method		(Flared)

Indoor(cooling/ heating)	(Deg. °F)	/ No
	(Deg. °C)	72/147/167 / Yes
Outdoor(cooling/heating)	(Deg. °F)	-22~122 / -22~75
	(Deg. °C)	-30~50 / -30 ~ 24
Application area	(sq.ft)	688.89~1011.81
	(m2)	64~94

INDOOR UNIT DATA

Indoor fan motor

Type		Cross-Flow
Model		ZKFN-90-8-1
Qty		2
Input	(W)	96.0
RLA	(A)	-
LRA	(A)	---
Winding Resistance	(Ω)	---
Capacitor	(uF)	---
Speed(Hi/Mi/Lo)	(r/min)	1320/1200/1120

Air flow & Noise level

Indoor air flow (Hi/Med/Lo) (No duct)	(CFM)	1352.94/1117.65/1000.00
Indoor noise level (Hi/Med/Lo)	[dB(A)]	55.0/49.5/44.5

Dehumidification

	(Pint/H)	---
--	----------	-----

Indoor unit

Dimension (WxDxH)	(inch)	64.96x26.57x9.25
	(mm)	1650x675x235
Packing(WxDxH)	(inch)	67.91x29.72x12.32
	(mm)	1725x755x318
Net/Gross weight	(lbs.)	87.74/102.29
	(kg)	39.8/46.4

OUTDOOR UNIT DATA

Compressor

Type		EAPQ420D1UMUA
Model		ROTARY
Brand		GMCC
Capacity	(Btu/h)	44015
Input	(W)	3565
Rated current (RLA)	(A)	-
Refrigerant oil/oil charge	(ml)	INT01L-4639
Throttle		Capillary +EXV

Outdoor fan motor

Model		ZKFN-85-8-22-5
Qty		2
Input	(W)	--
RLA	(A)	--
Speed	(r/min)	900/850/800/750

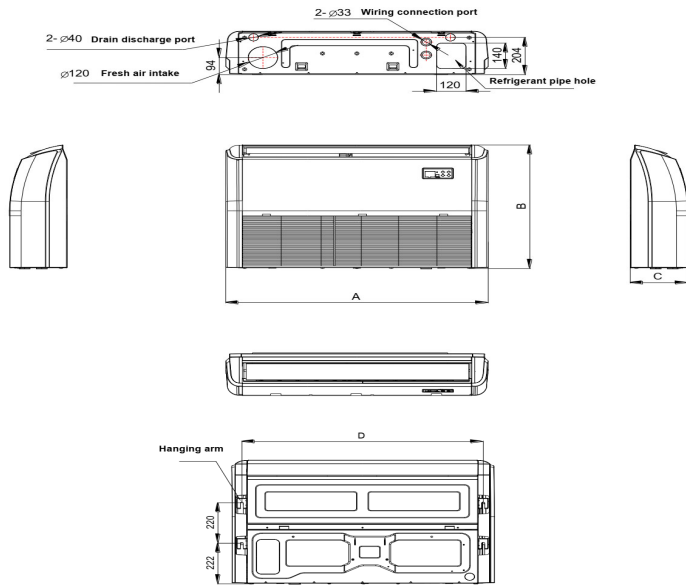
Air flow & Noise level

Outdoor air flow (Max.)	(CFM)	4500.00
Outdoor noise level	[dB(A)]	65

Outdoor unit

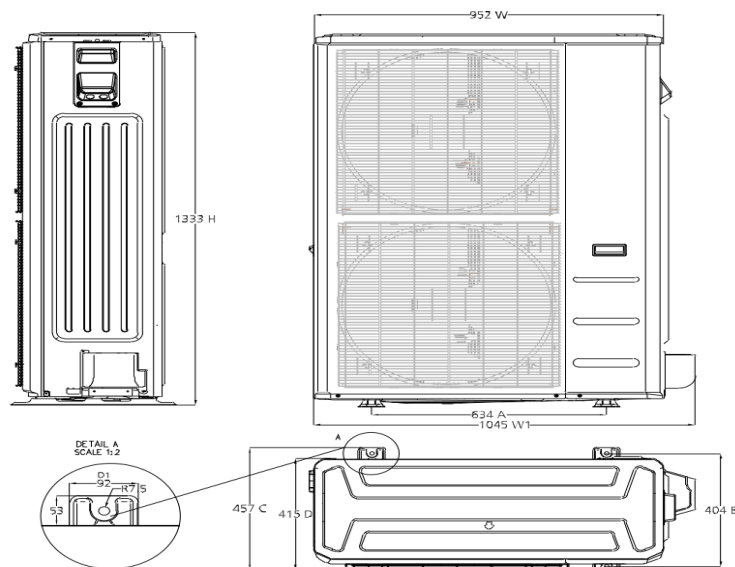
Dimension (W×D×H)	(inch)	37.48x16.34x52.48
	(mm)	952x415x1333
Packing (W×D×H)	(inch)	43.11x19.49x58.27
	(mm)	1095x495x1480
Net/ Gross weight	(lbs.)	227.07/255.73
	(kg)	103/116

Indoor unit dimension



Capacity (Btu/h)	Unit	A	B	C	D
18K / 24K	mm	1068	675	235	983
	inch	42.05	26.57	9.25	38.70
36K	mm	1285	675	235	1200
	inch	50.59	26.57	9.25	47.24
48K/60K	mm	1650	675	235	1565
	inch	64.96	26.57	9.25	61.61

Outdoor unit dimension



General Features

Wired controller(optional)
Weekly-time wired controller(optional)
Central controller
Long distance Alarm and ON/OFF controller(optional)
Build-in pump(optional)
3D airflow

Extended Performance Data