



TPA-18/CZP18CD(O)	18,000 BTU/H(208/230V) Wall Mounted Heat Pump System
Location: _____	Approval: _____
Engineer: _____	Date: _____
Submitted to: _____	Construction: _____
Submitted by: _____	Unit #: _____
Reference: _____	Drawing #: _____

Set Model
 Indoor unit model: TPA-18
 Outdoor unit model: CZP18CD(O)

Certified

AHRI 

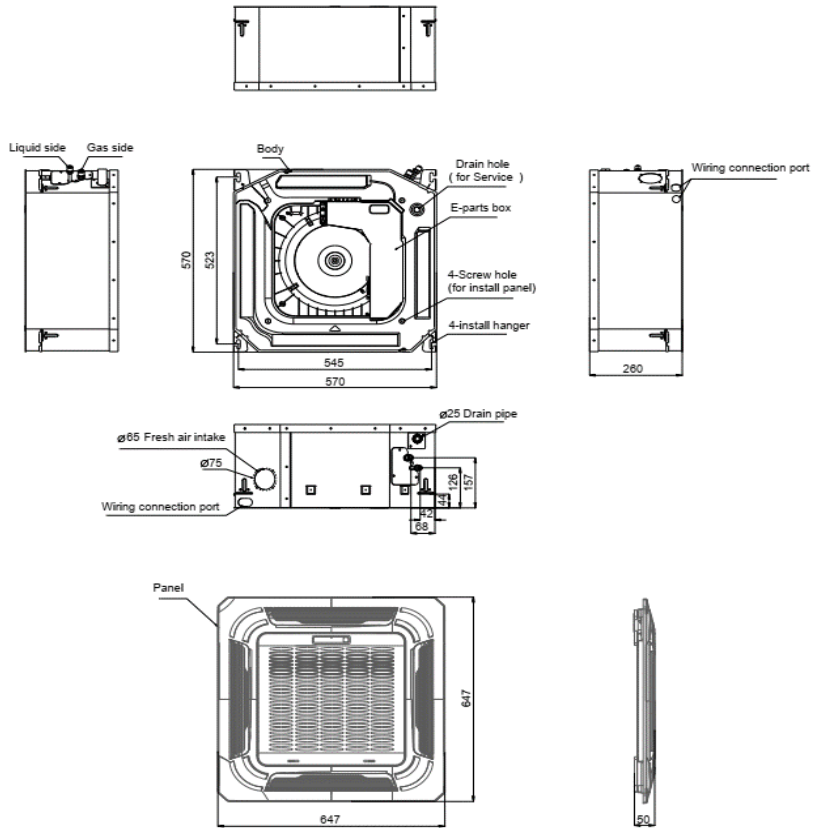
UL 



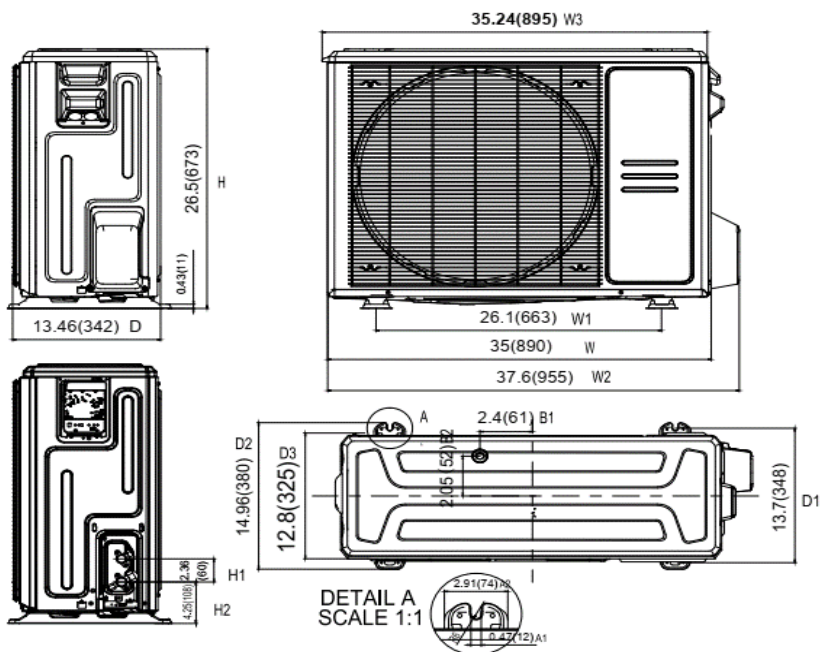
SYSTEM PERFORMANCE DATA			
Power supply			
Normal Operational Voltage (V, Ph, Hz)		208/230, 1, 60	
Voltage Range (V)		187-253	
Electrical			
Minimum circuit ampacity (A)		17.0	
Max.fuse (A)		25.0	
Connection wiring		14*4 AWG	
Cooling			
Rated Capacity (Btu/h)		16000	
Capacity Range (Btu/h)		5600~16000	
Power Input (Max) (W)		1340	
Rated current (A)		6.01	
SEER2 (Btu/W)		20.5	
EER2 (Btu/W)		12.5	
Heating at 47F			
Rated Capacity (Btu/h)		19000	
Capacity Range (Btu/h)		7700~18500	
Power Input (Max) (W)		1950	
Rated current (A)		8.21	
HSPF2-4 (Btu/W)		10.5	
HSPF2-5 (Btu/W)		8.0	
COP W/W		2.78	
Heating at 17F			
Max Capacity (Btu/h)		13600	
REFRIGERANT PIPE DATA			
Design pressure (PSIG)		550/340	
Refrigerant Type (Oz)		R410A/56.44	
Refrigerant precharge (ft)		25.0	
	(m)	7.6	
Additional charge for each ft (oz/ft)		0.16	
	(g/ft)	15	
Liquid side/ Gas side (inch)		1/4" / 1/2"	
	(mm)	6.35/12.7	
Max. pipe length (ft)		98.0	
	(m)	30.0	
Max. difference in level (ft)		66.0	
	(m)	20.0	
Connection method		(Flared)	
Indoor(cooling/ heating) (Deg. °F)		60~90 / 32~86	
	(Deg. °C)	16~32 / 0~30	
Outdoor(cooling/heating) (Deg. °F)		-13~122 / -13~75	
	(Deg. °C)	-25~50 / -25~24	
Application area (sq.ft)		247.57~355.21	
	(m2)	23~33	

INDOOR UNIT DATA			
Indoor fan motor			
Type			Cross-Flow
Model			ZKFP-46-8-1
Qty			1
Input (W)		45.0	
RLA (A)		1.5	
LRA (A)		---	
Winding Resistance (Ω)		---	
Capacitor (uF)		---	
Speed(Hi/Mi/Lo) (r/min)		730/630/570	
Air flow & Noise level			
Indoor air flow (Hi/Med/Lo) (No duct) (CFM)		562.35/485.29/438.82	
Indoor noise level (Hi/Med/Lo) [dB(A)]		43.5/38.5/35.5	
Dehumidification (Pint/H)		---	
Indoor unit			
Dimension (WxDxH) (inch)		22.44x22.44x10.24	
	(mm)	570x570x260	
Packing(WxDxH) (inch)		26.06x26.06x12.48	
	(mm)	662x662x317	
Net/Gross weight (lbs.)		35.71/46.96	
	(kg)	16.2/21.3	
OUTDOOR UNIT DATA			
Compressor			
Type			KSN140D58UFZ
Model			ROTARY
Brand			GMCC
Capacity (Btu/h)		14723.39115	
Input (W)		1090	
Rated current (RLA) (A)		-	
Refrigerant oil/oil charge (ml)		-	
Throttle			Capillary +EXV
Outdoor fan motor			
Model			ZKFN-80-8-3
Qty			1
Input (W)		--	
RLA (A)		--	
Speed (r/min)		810/720	
Air flow & Noise level			
Outdoor air flow (Max.) (CFM)		1764.70	
Outdoor noise level [dB(A)]		58	
Outdoor unit			
Dimension (WxDxH) (inch)		35.04x13.46x26.50	
	(mm)	890x342x673	
Packing (WxDxH) (inch)		39.17x15.67x29.13	
	(mm)	995x398x740	
Net/ Gross weight (lbs.)		95.02/101.85	
	(kg)	43.1/46.2	

Indoor unit dimension



Outdoor unit dimension



General Features

Wireless Remote with LCD Display

Sleep

Timer

Self Clean

46F Heating

Silent

Extended Performance Data