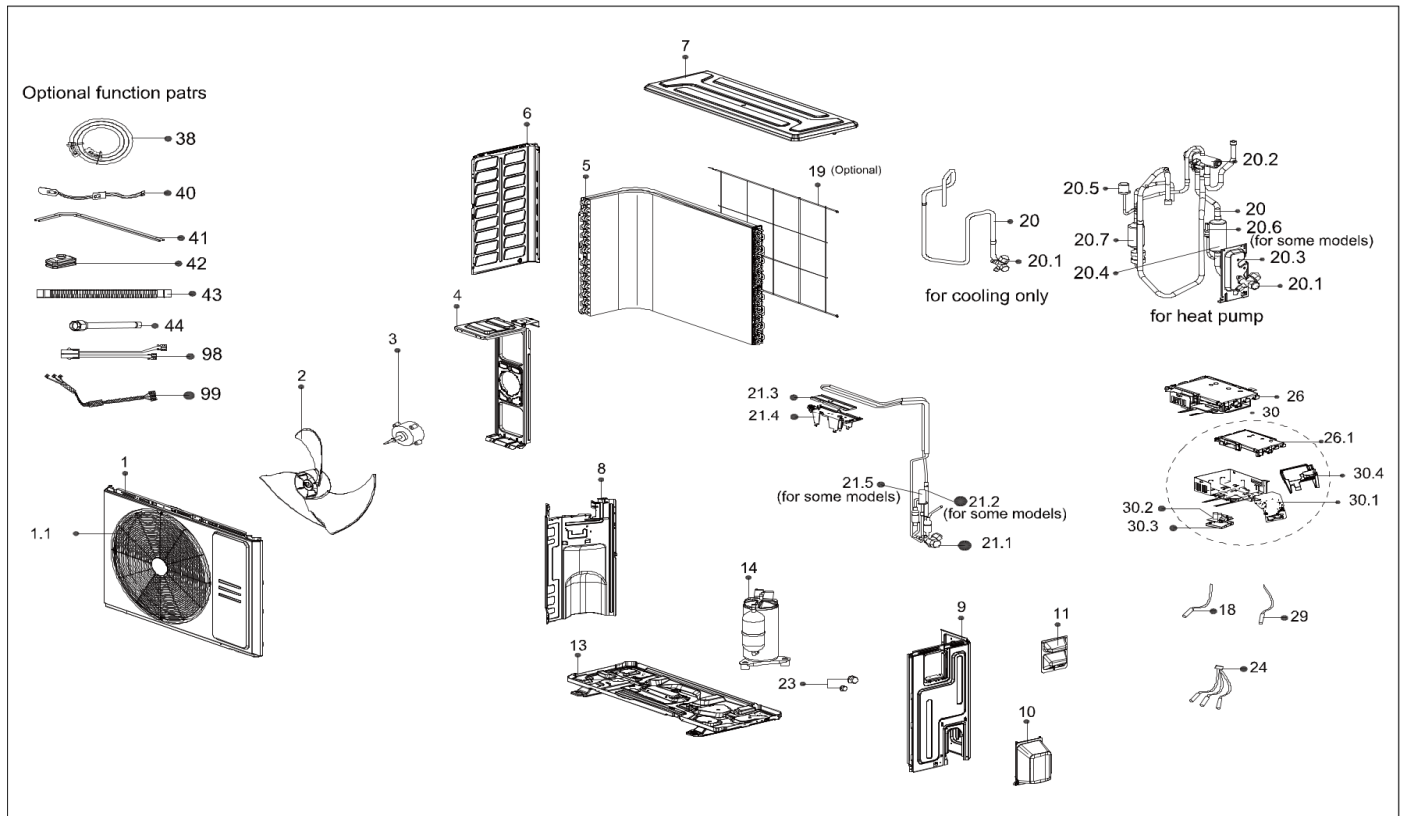


Exploded View

Model

CPH18CD(O)

ComfortStar®



| EX_ID | Spare Parts Code | Part Name(EN) | Qty. | Price | Remarks |
|-------|------------------|--------------------------|------|-------|---------|
| 1 | 12222000013468 | Front panel | 1 | | |
| 1.1 | 12222000013469 | Air outlet grille | 1 | | |
| 2 | 12100105000841 | Axial flow fan | 1 | | |
| 3 | 11002015000366 | Brushless DC Motor | 1 | | |
| 4 | 12222000012371 | Supporter of fan motor | 1 | | |
| 5 | 15822000009796 | Condenser assembly | 1 | | |
| 6 | 12222000013472 | Left supporter | 1 | | |
| 7 | 12222000013465 | Top cover assembly | 1 | | |
| 8 | 12222000013245 | Partition board assembly | 1 | | |

| | | | | | |
|------|----------------|--|---|--|--|
| 9 | 12222000013466 | Right clapboard assembly | 1 | | |
| 10 | 12122000007150 | Water collector | 1 | | |
| 11 | 12222000010966 | Big handle assembly | 1 | | |
| 13 | 12222000014054 | Chassis assembly | 1 | | |
| 14 | 11103020004360 | DC Inverter Rotary Compressor | 1 | | |
| 18 | 11201007000124 | Pipe Temperature Sensor | 1 | | |
| 19 | 12222000013085 | Rear net | 1 | | |
| 20 | 15422000021635 | 4-way valve assembly | 1 | | |
| 20.1 | 15500204000502 | Gas valve | 1 | | |
| 20.2 | 15500216000026 | 4-way Valve | 1 | | |
| 20.3 | 12222200005738 | Valve plate | 1 | | |
| 20.4 | 15122000028801 | Muffler subassembly | 1 | | |
| 20.5 | 17400516000849 | Pressure switch | 1 | | |
| 20.6 | 11201008000773 | Pressure sensor | 1 | | |
| 20.7 | 15122000028753 | Muffler subassembly | 1 | | |
| 21 | 15422000020460 | Liquid valve assembly | 1 | | |
| 21.1 | 15500204000021 | Gas valve | 1 | | |
| 21.3 | 11203803001176 | Radiator | 1 | | |
| 21.4 | 12122000011478 | U-Typed Support with Copper Pipe | 1 | | |
| 21.5 | 15500213000176 | Electronic expansion valve body | 1 | | |
| 23 | 15500406000010 | Copper nut | 1 | | |
| 23 | 15500406000003 | Copper nut | 1 | | |
| 24 | 11201011000188 | Combination sensor | 1 | | |
| 26 | 17222000037855 | Electronic control box subassembly | 1 | | |
| 26.1 | 12122000008999 | Electronic installing box | 1 | | |
| 29 | 11201007003445 | Pipe Temperature Sensor | 1 | | |
| 30 | 17222000037856 | Inverter module electronic control box subasse | 1 | | |
| 30.1 | 17222000031639 | Terminal board subassembly | 1 | | |
| 30.2 | 17122000055944 | Inverter module subassembly | 1 | | |
| 30.3 | 12122000029482 | Electronic installing box | 1 | | |
| 30.4 | 12122000029483 | Cover of electronic control box subassembly | 1 | | |
| 38 | 15111600A00285 | Connecting flexible hose assembly | 1 | | |
| 40 | 17402001000603 | Crankcase electric heating strip | 1 | | |
| 41 | 17402002000544 | tube type electric heater | 1 | | |

| | | | | | |
|----|----------------|--|---|--|--|
| 44 | 15123000013007 | Evaporator connecting pipe subassembly | 1 | | |
| 44 | 15123000012948 | Evaporator connecting pipe subassembly | 1 | | |
| 99 | 17401203012697 | Compressor wire subassembly | 1 | | |