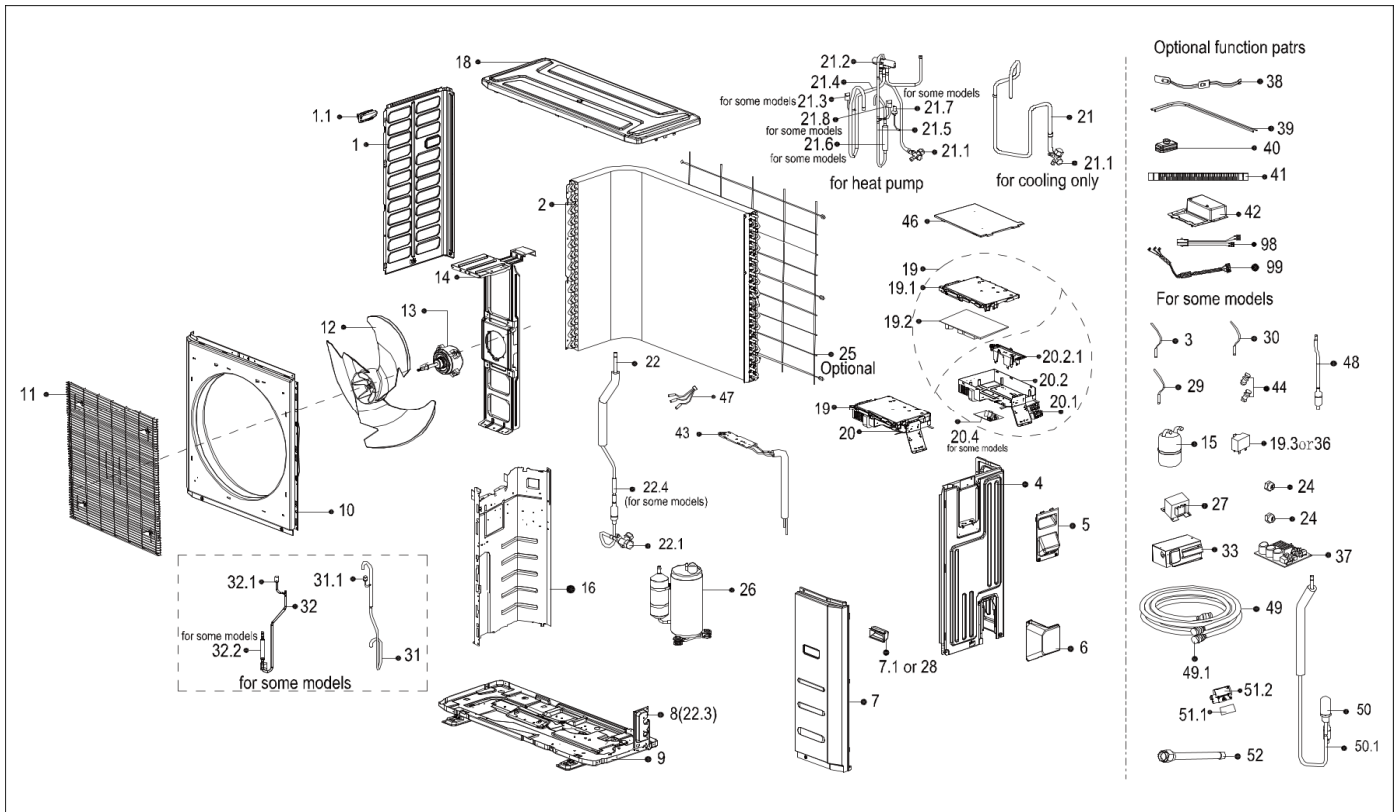


# Exploded View

Model

CPH24CD(O)

ComfortStar®



| EX_ID | Spare Parts Code | Part Name(EN)                       | Qty. | Price | Remarks |
|-------|------------------|-------------------------------------|------|-------|---------|
| 1     | 12222000006665   | Left side plate assembly of cabinet | 1    |       |         |
| 1.1   | 12100701000033   | Small handle                        | 1    |       |         |
| 2     | 15822000011096   | Condenser assembly                  | 1    |       |         |
| 3     | 11201007003445   | Pipe Temperature Sensor             | 1    |       |         |
| 3     | 11201007000069   | Pipe Temperature Sensor             | 1    |       |         |
| 4     | 12222000006664   | Rear right clapboard assembly       | 1    |       |         |
| 5     | 12222000013365   | Big handle assembly                 | 1    |       |         |
| 6     | 12122200002695   | Water collector                     | 1    |       |         |
| 7     | 12222500A00135   | Front right clapboard assembly      | 1    |       |         |

|        |                |  |   |  |  |
|--------|----------------|--|---|--|--|
| 7.1    | 12100702000038 | handle                                 | 1 |  |  |
| 9      | 12222000004018 | Chassis assembly                       | 1 |  |  |
| 10     | 12222000A01431 | Front panel                            | 1 |  |  |
| 11     | 12222000014845 | Air outlet grille                      | 1 |  |  |
| 12     | 12100105000084 | Axial flow fan                         | 1 |  |  |
| 13     | 11002015000247 | Brushless DC Motor                     | 1 |  |  |
| 14     | 12222000005162 | Supporter subassembly of fan motor     | 1 |  |  |
| 16     | 12222000012328 | Partition board assembly               | 1 |  |  |
| 18     | 12222500000587 | Top cover assembly                     | 1 |  |  |
| 19     | 17222000037883 | Electronic control box subassembly     | 1 |  |  |
| 19.1   | 12122000025662 | Cover of electronic control box        | 1 |  |  |
| 19.2   | 17122000055981 | Outdoor main control board subassembly | 1 |  |  |
| 20     | 17222000037882 | Terminal board subassembly             | 1 |  |  |
| 20.1   | 17400401000119 | Terminal                               | 1 |  |  |
| 20.2   | 12222000015265 | Electronic installing box subassembly  | 1 |  |  |
| 20.2.1 | 12122000024381 | U-Typed Support with Copper Pipe       | 1 |  |  |
| 20.4   | 17122000055979 | Inverter module subassembly            | 1 |  |  |
| 21     | 15422000022559 | 4-way valve assembly                   | 1 |  |  |
| 21.1   | 15500204000482 | Gas valve                              | 1 |  |  |
| 21.2   | 15500216000361 | 4-way valve                            | 1 |  |  |
| 21.3   | 17400516000848 | Pressure switch                        | 1 |  |  |
| 21.4   | 15122000031257 | Suction pipe assembly                  | 1 |  |  |
| 21.5   | 15122000031237 | Discharge pipe assembly                | 1 |  |  |
| 21.7   | 11201008000773 | Pressure sensor                        | 1 |  |  |
| 21.8   | 17400516000851 | Pressure switch                        | 1 |  |  |
| 22     | 15422000021516 | Liquid valve assembly                  | 1 |  |  |
| 22.1   | 15500204000021 | Gas valve                              | 1 |  |  |
| 22.3   | 12222200000611 | Valve plate                            | 1 |  |  |
| 24     | 15500406000010 | Copper nut                             | 1 |  |  |
| 24     | 15500406000008 | Copper nut                             | 1 |  |  |
| 25     | 12222000006604 | Rear net                               | 1 |  |  |
| 26     | 11103020004360 | DC Inverter Rotary Compressor          | 1 |  |  |
| 38     | 17402001000603 | Crankcase electric heating strip       | 1 |  |  |
| 39     | 17402002000466 | Electric heating tube                  | 1 |  |  |

|      |                |  |   |  |  |
|------|----------------|--|---|--|--|
| 43   | 15122000028848 | Radiator subassembly                   | 1 |  |  |
| 46   | 12122000016029 | Cover of electronic control box        | 1 |  |  |
| 47   | 11201011000188 | Combination sensor                     | 1 |  |  |
| 50   | 15422000021315 | Electronic expansion valve subassembly | 1 |  |  |
| 50.1 | 15500213000176 | Electronic expansion valve body        | 1 |  |  |
| 52   | 15123000012948 | Evaporator connecting pipe subassembly | 1 |  |  |
| 52   | 15123000012887 | Evaporator connecting pipe subassembly | 1 |  |  |
| 99   | 17401203000751 | Compressor wire subassembly            | 1 |  |  |