



Submittal

Split System Cooling

AHU18-SG2

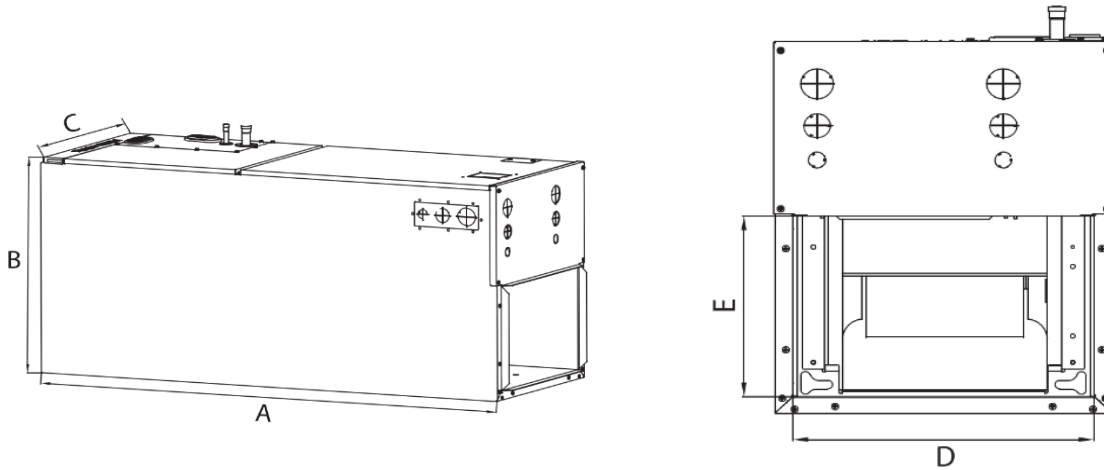
Location: _____
Engineer: _____
Submitted to: _____
Submitted by: _____
Reference: _____

Approval: _____
Date: _____
Construction: _____
Unit # : _____
Drawing # : _____



Note:" *Graphics in this document are for representation only. Actual model may differ in appearance.*"

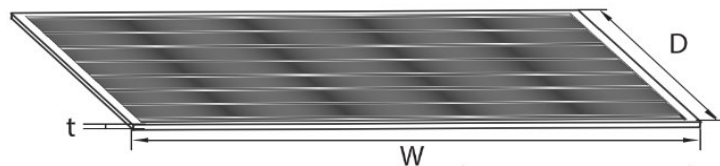
Indoor unit installation size



(unit:mm/inch)

Dimensions		Model	12K ~ 24K	30K ~ 48K	60K
		Length of A	mm	1143	1245
inch	45		49	53	
Length of B	mm	533	533	533	
	inch	21	21	21	
Length of C	mm	445	533	622	
	inch	17-1/2	21	24-1/2	
Length of D	mm	400	490	580	
	inch	15-3/4	19-5/16	22-27/32	
Length of E	mm	260	260	260	
	inch	10-1/4	10-1/4	10-1/4	

Recommended size of filter



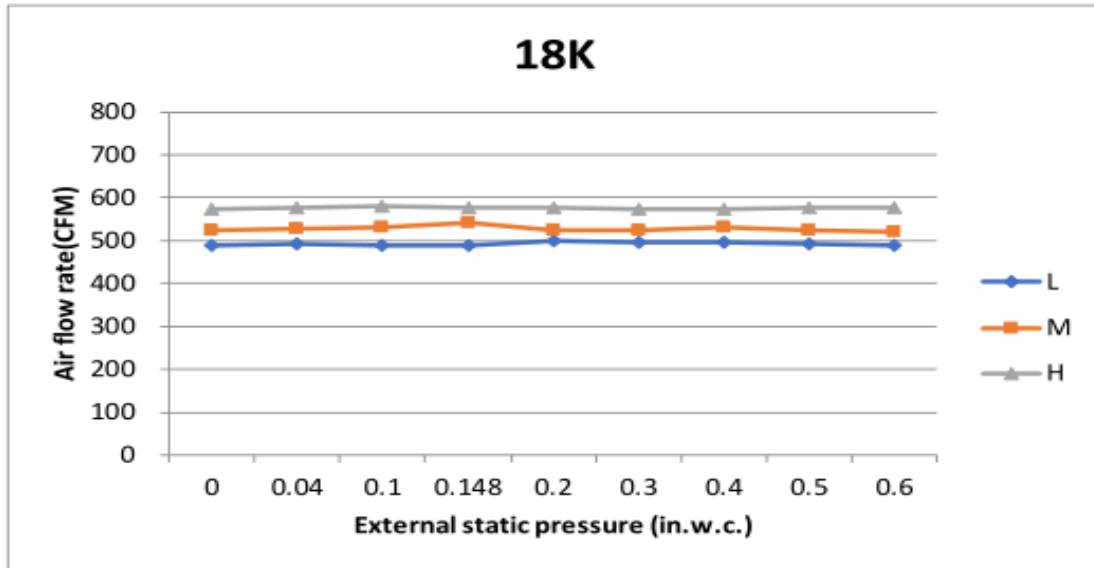
(unit:mm/inch)

Recommended size of filter		Model (Btu/h)	12K ~24K	30K~36K	48K ~60K
		W	mm	406.4	495.3
inch	16		19-1/2	23	
D	mm	508	508	508	
	inch	20	20	20	
t	mm	25.4	25.4	25.4	
	inch	1	1	1	

SYSTEM PERFORMANCE DATA		
Power supply		
Normal Operational Voltage	(V, Ph, Hz)	208/230, 1, 60
Voltage Range	(V)	187-253
Electrical		
Minimum circuit ampacity	(A)	16
Max.fuse	(A)	20
Connection wiring		16AWG*2 Stranded, shielded
Cooling		
Power Input	(W)	1620
Rated current	(A)	7.5
Heating at 47F		
Power Input	(W)	1510
Rated current	(A)	6.7
Throttle type	Indoor unit	EEV for cooling
Indoor(cooling/ heating)	(Deg. °F)	60~90/32~86
	(Deg. °C)	16~32/0~30
Application area	(sq.ft)	258.33~376.74
	(m2)	24~35
INDOOR UNIT DATA		
Indoor fan motor		
Type		Centrifugal
Model		ZKFD-250-8-1
Qty		1
Input	(W)	67.8
RLA	(A)	---
LRA	(A)	---
Winding Resistance	(Ω)	---
Capacitor	(uF)	---
Speed(Hi/Mi/Lo)	(r/min)	---
Air flow & Noise level		
Indoor air flow (Hi/Med/Lo) (No duct)	(CFM)	576.47/529.41/488.24
Indoor noise level (Hi/Med/Lo)	[dB(A)]	36/34/32
Dehumidification	(Pint/H)	---
Indoor unit		
Dimension (WxDxH)	(inch)	21.02x17.52x45.00
	(mm)	534x445x1143
Packing(WxDxH)	(inch)	25.20x20.87x50.39
	(mm)	640x530x1280
Net/Gross weight	(lbs.)	48/58.7
	(kg)	105.82/129.41

Outdoor Unit	Indoor Unit	Cooling Capacity	EER2	SEER2	HSPF2-4	HSPF2-5
CPH18CD(O)	AHU18-SG2	18000(6880~21000)	12.4	18	9.3	7.6
CPR18CD(O)	AHU18-SG2	18000(5300~18700)	10.9	17	8.8	6.9

Fan performance



ComfortStar®

12201 N W 107th Avenue
Miami, FL 33178
1.866.524.9898 Toll Free
305.500.9898 Office
305.500.9896 Fax
<http://www.comfortstarusa.com>



The AHRI mark indicates Comfortstar participating in the AHRI Certification program. Visit ahridirectory.org for verification of individual certified products. Comfortstar reserves the right to change design and specs without notice. Comfortstar has a policy of update the data continuously. We are committed to using environmentally conscious print practices.

AHU18-SG2 22th Feb 2023
Supersedes AHU18-SG2 (Feb.2023)

© 2023 ComfortStar