



Submittal

Split System Cooling

CPH30CD(O)

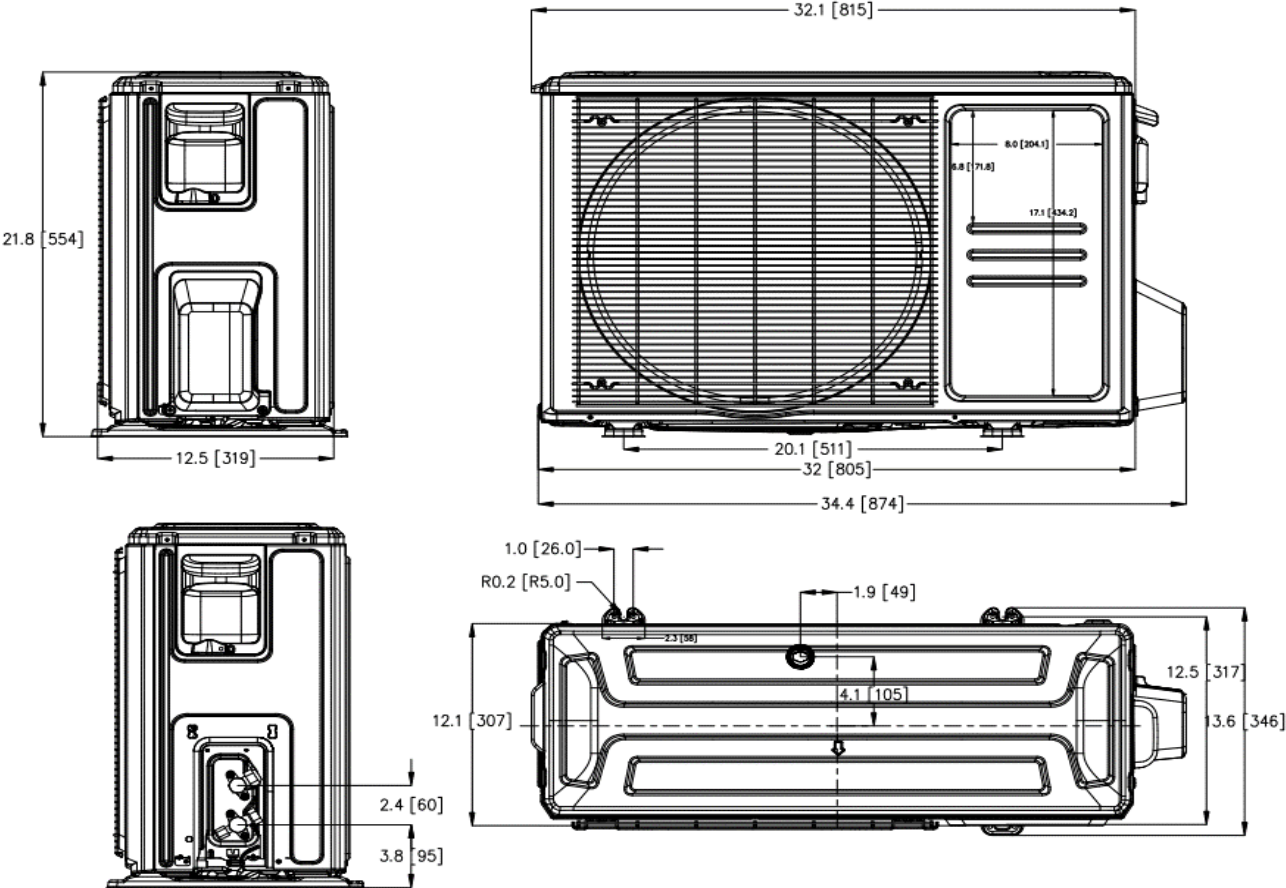
Location: _____
Engineer: _____
Submitted to: _____
Submitted by: _____
Reference: _____

Approval: _____
Date: _____
Construction: _____
Unit # : _____
Drawing # : _____



Note: "Graphics in this document are for representation only. Actual model may differ in appearance."

Unit dimension



Specification

Outdoor unit model			CPH30CD(O)
Power supply	Rated	V, Ph, Hz	208/230, 1, 60
	Voltage range	V	187-253
MINIMUM CIRCUIT AMPACITY		A	23
MAX.FUSE		A	35
Compressor	Model		KTF310D43UMT
	Type		ROTARY
	Brand		GMCC
	Capacity	Btu/h	32380
	Input power	W	2600
	Refrigerant oil	ml	VG74/1000
Outdoor fan motor	Model		ZKFN-120-8-2
	Qty.		1
	Input power	W	150.0
	Output power	W	120
	Speed	r/min	950/900/500
Outdoor air flow (Max.)		m3/h	5100
Outdoor air flow (Max.)		CFM	3000.00
Outdoor noise level (Sound pressure)		dB(A)	61.5
Throttle type			EEV for Heating
Outdoor unit	Dimension(W×D×H)	mm	946x410x810
		inch	37.24x16.14x31.89
	Packing (W×D×H)	mm	1090x500x885
		inch	42.91x19.69x34.84
	Net/Gross weight	kg	72.5/77
		lbs.	159.83/169.75
Refrigerant	Type/Charged	g	R410A/3800
		oz	R410A/134.04
Additional charge		g/m	65
		oz/ft	0.69
Design pressure		PSIG	550/340
Refrigerant piping	Liquid side/Gas side	mm	9.52/19
		inch	3/8" / 3/4"
	Max. pipe length	m	65
		ft	213
	Max. difference in level	m	30
		ft	98
Ambient temperature	Cooling	°C	-30~50
		°F	-22~122
	Heating	°C	-30~24
		°F	-22~75

ComfortStar®

12201 N W 107th Avenue
Miami, FL 33178
1.866.524.9898 Toll Free
305.500.9898 Office
305.500.9896 Fax
<http://www.comfortstarusa.com>



The AHRI mark indicates Comfortstar participating in the AHRI Certification program. Visit ahridirectory.org for verification of individual certified products. Comfortstar reserves the right to change design and specs without notice. Comfortstar has a policy of update the data continuously. We are committed to using environmentally conscious print practices.

CPH30CD(O) 22th Feb 2023
Supersedes CPH30CD(O) (Feb.2023)

© 2023 ComfortStar