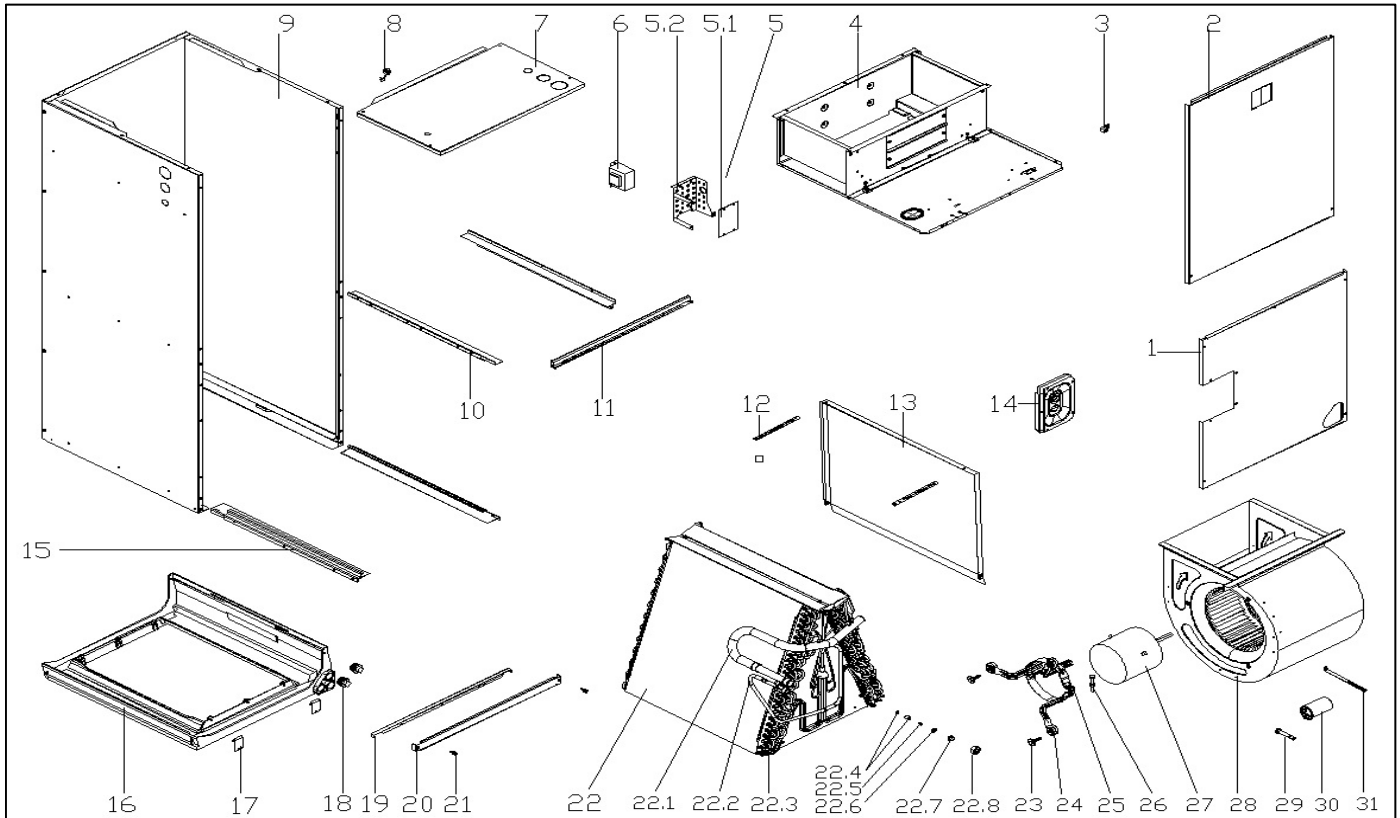


Exploded View

Model

LUC5-48-15

ComfortStar®



EX_ID	Spare Parts Code	Part Name(EN)	Qty.	Price	Remarks
1	12223000010749	Side panel assembly	1		
2	12223000002187	Baffle ass'y	1		
3	11201708000008	Wiring Terminal	1		
4	12223000002127	Air channel ass'y	1		
5	17223000009203	E-part box assembly	1		
5.1	17123000009757	Indoor unit main control board	1.0		
5.2	12223000002167	Electric installation board	1.0		
6	11203103000141	Linear Transformer	1		
7	12223000002215	Baffle ass'y	1		

8	12100304000011	Clamp	1		
9	12223000002361	Base ass'y	1		
10	12223000001940	Drainage pan supporting board	2		
11	12223000010767	Supporter assembly	1		
12	12223000010756	Drainage pan clamp	2		
13	12223000001210	Drainage pan II	1		
14	12223000010789	Cover plate ass'y	1		
15	12223000010759	Drainage pan supporting board	2		
16	12123000000110	Drain pan ass'y	1		
17	12223000000028	Water pan cushion	2		
18	15500402000023	seal plug	2		
19	12223000002101	Supporting bar	1		
20	12223000002000	Filter cover	1		
21	11301230000002	Screw	2		
22	15823000004404	Evaporator assembly	1		
22.1	15223000000166	Output pipe assembly	1.0		
22.2	15423000004538	Evaporator input pipe assembly	1.0		
22.3	15823000004403	Evaporator	2.0		
22.4	15500210000968	Throttle	1.0		
22.5	15500220000015	Valve plug	1.0		
22.6	12100901000010	Sealing ring	1.0		
22.7	15500302000014	Flange joint	1.0		
22.8	15500402000191	Nut	1.0		
23	11301002000673	Hexagon head bolt and plain washer	3		
24	12223000001932	Supporter subassembly of fan motor	3		
25	12223000001992	Supporter of fan motor	1		
26	11301705000106	Hexagon head bolt	1		
27	11002012000248	Single phase asynchronous motor	1		
28	12200101000029	Fan assembly	1		
29	15500302000006	Attachment-flange connection pipe	1		
30	17400103000149	Capacitor of compressor	1		
31	12223000002177	Drainage pan clamp	1		