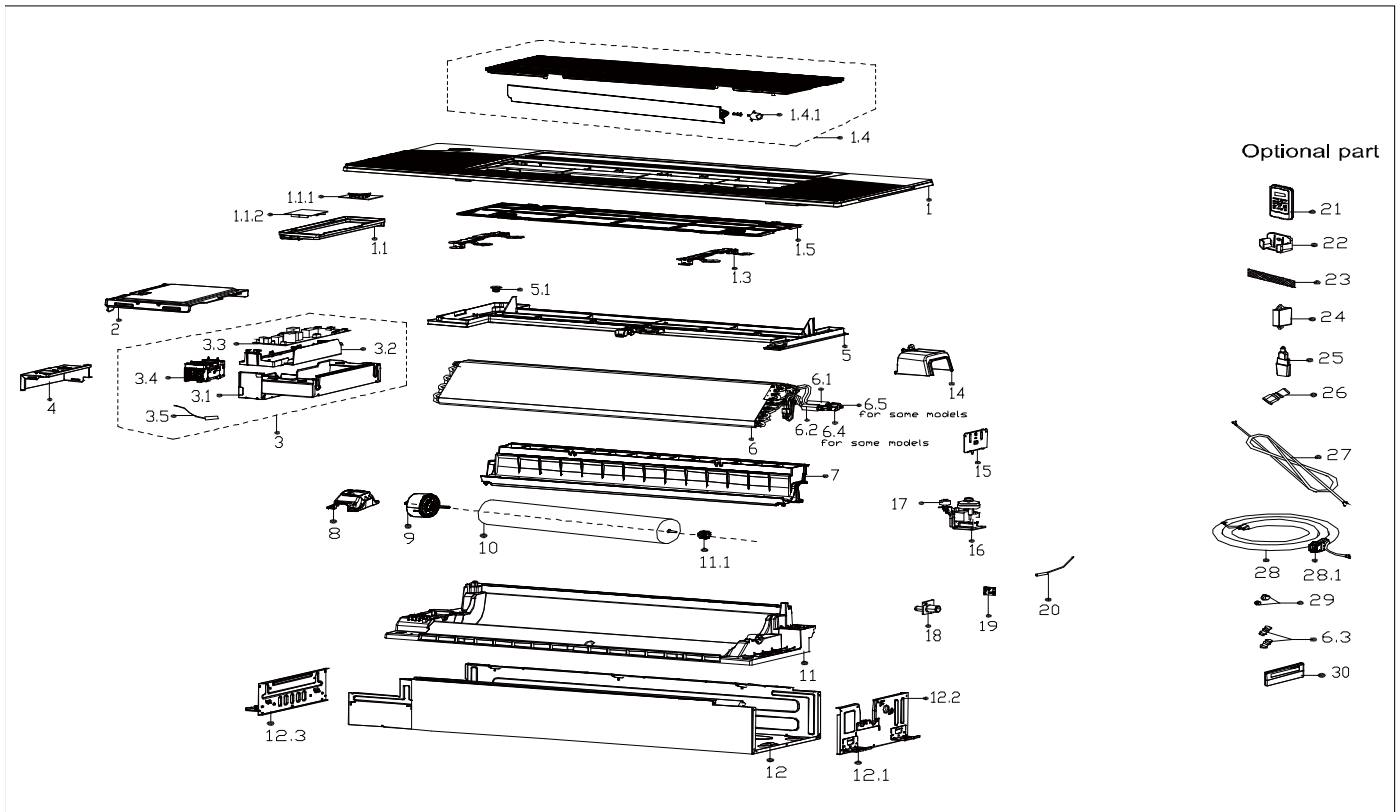


Exploded View

Model T1W12P

ComfortStar®



EX_ID	Spare Parts Code	Part Name(EN)	Qty.	Price	Remarks
1	12122500A29281	Panel assembly	1		
1.1	17222500A04797	Display board subassembly	1.0		
1.1.1	17122500004112	Display board subassembly	1.0		
1.1.2	17122500005091	Adapter plate subassembly	1.0		
1.3	12222500002492	locked button board	2.0		
1.4	P0000004059509	Air outlet assembly	1.0		
1.4.1	11002010000326	Stepper motor	1.0		
1.5	12122500002707	Air filter	1.0		
2	12222500002474	Cover of electronic control box	1		

3	17222500003988	Electronic control box subassembly	1		
3.1	12222500002452	Electronic control box	1.0		
3.2	12122500002567	Capacitor box	1.0		
3.3	17122500005291	Main control board subassembly	1.0		
3.4	17400519000368	Power switch	1.0		
3.5	11201007003448	Room Temperature Sensor	1.0		
4	12222500002412	Electric cover	1		
5	12122500002588	Auxiliary water tray assembly	1		
5.1	12600801000903	Drain stopper	1.0		
6	15822500002619	Evaporator subassembly	1		
6.1	15122500003576	Evaporator outlet pipe subassembly	1.0		
6.2	15122500003577	Evaporator inlet pipe subassembly	1.0		
6.4	15500209000001	Check valve	1.0		
6.5	15500404000009	Pipe Nut	1.0		
7	12122500002587	Wind guide frame subassembly	1		
8	12122000031622	Supporter subassembly of fan motor	1		
9	11002015016793	Brushless DC Motor	1		
10	12100102000936	Cross flow fan	1		
11	12122500002607	Air duct components	1		
11.1	12622000000131	Bearing components	1.0		
12	12222500002413	Chassis subassembly	1		
12.1	12223000012927	Hook	4.0		
12.2	P0000004171936	Left side plate assembly of cabinet	1.0		
12.3	P0000004020143	Right clapboard	1.0		
14	12122500002647	Plastic parts	1		
15	12223000015688	Support plate	1		
16	17400802003633	Hood pump subassembly	1		
17	17400511001344	Water Level Switch	1		
18	12100510000021	Drain pipe	1		
19	17122000058071	Humidity sensor subassembly	1		
20	11201007003437	Pipe Temperature Sensor	1		
21	17317000A65490	Remote controller	1		
22	12122000029201	Bracket of remote Controller	1		
29	15500406000012	Copper nut	1		

29	15500406000016	Copper nut	1		
30	17317100A35732	Wired controller	1		