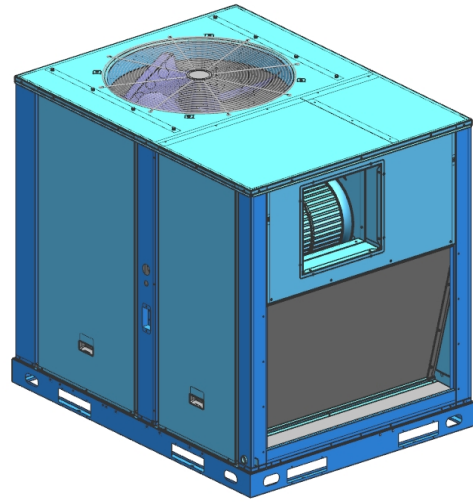
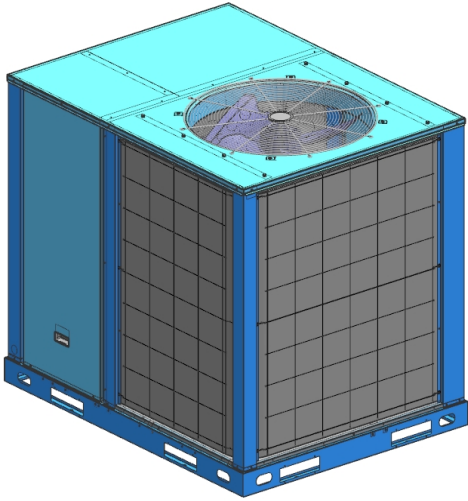
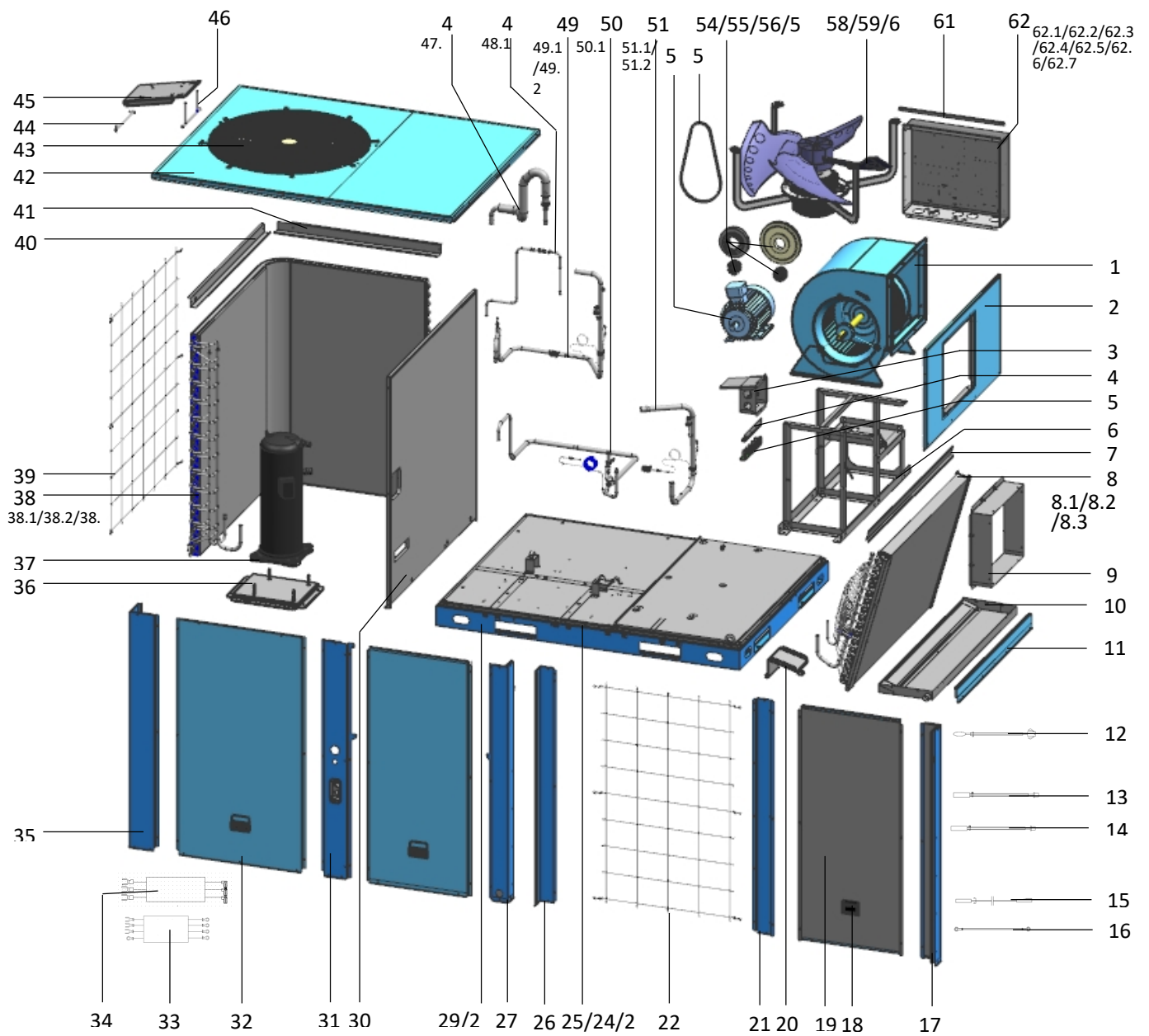
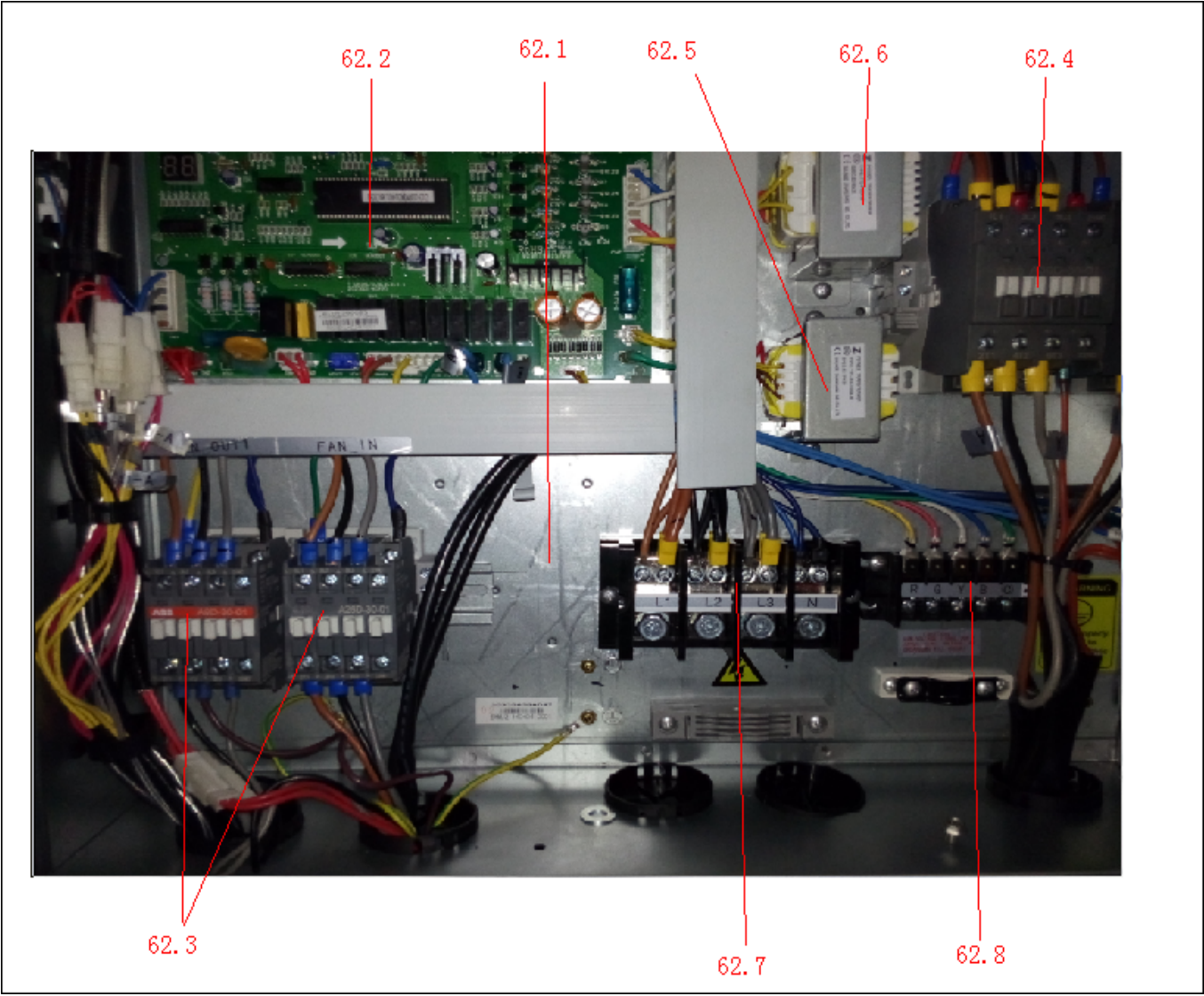


**Market** CCRT120-3

**Power** 220V 3N~60Hz







No.	Part Name	Quantity	BOM code	Price(\$\$)	Remark
1	Centrifugal fan	1	201200300890		
2	Inside panel ass'y	1	201296290390		
3	Over junction box ass'y	1	201296290290		
4	Pipe pressing plate ass'y	1	201296290386		
5	Pipe clamp board ass'y	1	201296590116		
6	Motor support	1	201296290396		
7	Evaporator sealplate	1	201296290385		
8	Evaporator ass'y	1	201596290052		
8.1	Evaporator	1	201596290038		
8.2	Evaporator input ass'y	1	201696290978		
8.3	Evaporator output ass'y	1	201696290976		
9	Air-out guide plate	1	201296290316		
10	Drainage pan ass'y	1	201296290327		
11	Cover plate	1	201296290368		
12	Room Temp. sensor ass'y	1	202301300214		
13	Pipe Temp. sensor ass'y	1	202301300219		

14		Room Temp. sensor ass'y	1	202301300198		
15		Discharge temperature sensor	1	202301600560		
16		Pipe temp. sensor ass'y	1	202301300742		
17		Pole 6	1	201296290330		
18		Handle	3	201148700003		
19		Inside panel	2	201296290292		
20		Water board	1	201296290286		
21		Pole 4	1	201296290336		
22		Net II	1	201296290348		
23		Pipe fixation clamp	4	2012709A0018		
24		Pipe support plate	1	201296390615		
25		Mounting plate	1	201296290406		
26		Pole 1	1	201296290347		
27		Pole 5	1	201296290333		
28		Base ass'y	8	201296290084		
29		Base ass'y	1	201296290405		
30		Median septum	1	201296290314		
31		Pole	1	201296290388		
32		Outside panel	1	201296290294		
33		Wire	1	202496590001		
34		Connction wires of compressor	1	202402201069		
35		Pole 2	1	201296290346		
36		Base	1	201296290394		
37		Compressor	1	201401401300		
38		Condenser ass'y	1	201596290049		
38.1		Condenser 1	1	201596290051		
38.2		Condenser 2	1	201596290050		
38.3		Condenser input pipe ass'y	1	201696290972		
38.4		Condenser output pipe ass'y	1	201696290968		
39		Net 1	1	201296290349		
40		Condenser sealplate ass'y	1	201296290410		
41		Condenser sealing plate 2	1	201296290299		
42		Top cover	1	201296290295		
43		Grille	1	201219900914		
44		Polished rod	1	201296290321		
45		Motor suppor	1	201296290393		
46		Adjusting screw	1	201296290320		
47		Connecting pipe ass'y	1	201696290959		
47.1		Filter	1	201600900855		
48		Throttle	1	201696290996		
48.1		One-way throttle	1	201600801501		
49		Exhaust pipe	1	201696291000		
49.1		Pressure switch	1	202301820042		
49.2		Joint	1	201696190410		
50		Condenser output pipe ass'y	1	201696290955		
50.1		Unloading valve	1	201601600027		
51		Return air duct ass'y	1	201696290998		
51.1		Pressure switch	1	202301820021		
51.2		Joint	1	201696190410		
52		Motor	1	2024008A0018		
53		Belt	1	202701000159		
54		Adjustable belt pulley	1	202900101067		
55		Belt pulley	1	202900101064		
56		sleeve	1	202900200019		
57		Sleeve	1	202900200003		

58		Fan	1	201200300225		
59		Motor	1	202400801098		
60		Motor support	1	201296190407		
61		E-box support	1	201296290301		
62		E-part control box ass'y	1	203396290053		
62.1		E-part box	1	201296290303		
62.2		Main control board	1	201396290084		
62.3		Contactator	2	202300830622		
62.4		AC contactor	1	202300830625		
62.5		Transformer	1	202300930280		
62.6		Linear transformer	1	202300930283		
62.7		Terminal block, 4P	1	202301400420		
62.8		Wire joint	1	202301450135		
63		Refrigerant	4.1	200500100003		
64		Wire controller	1	203355100023		