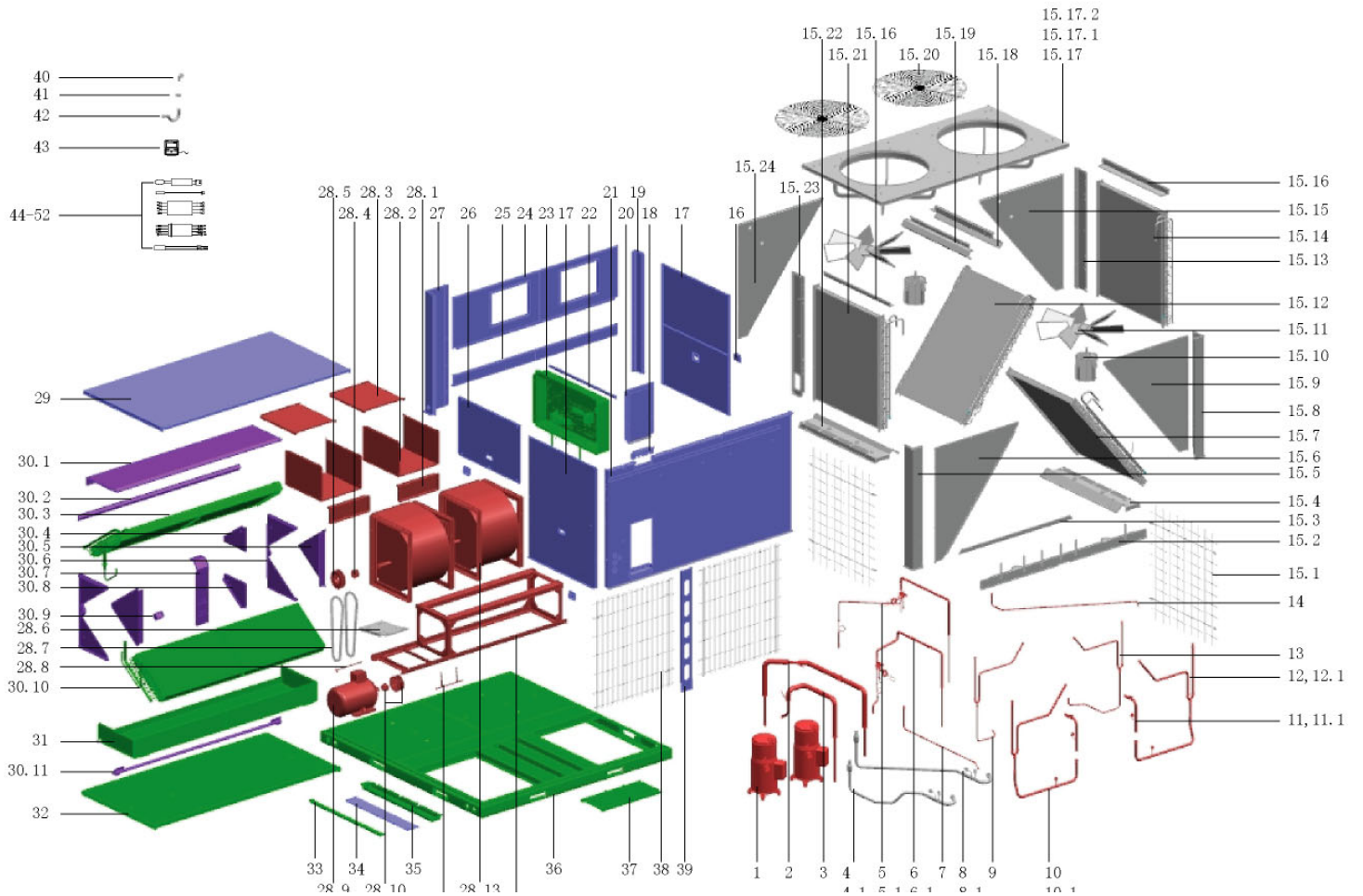
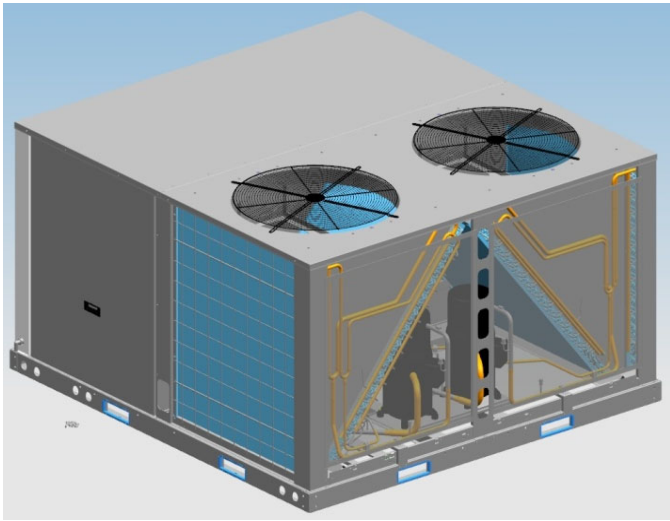


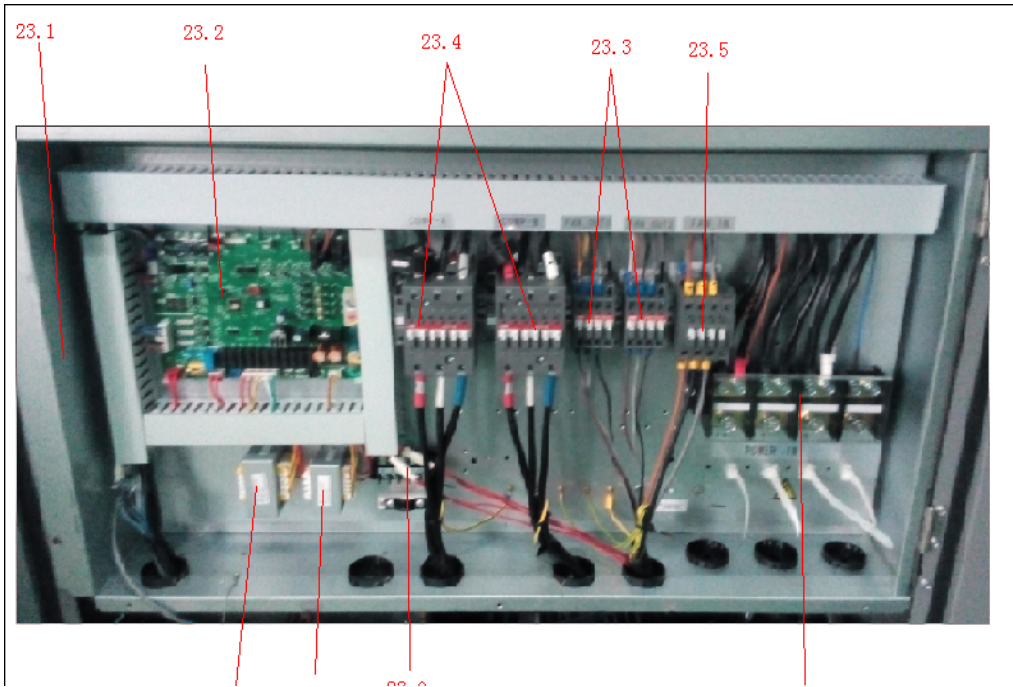
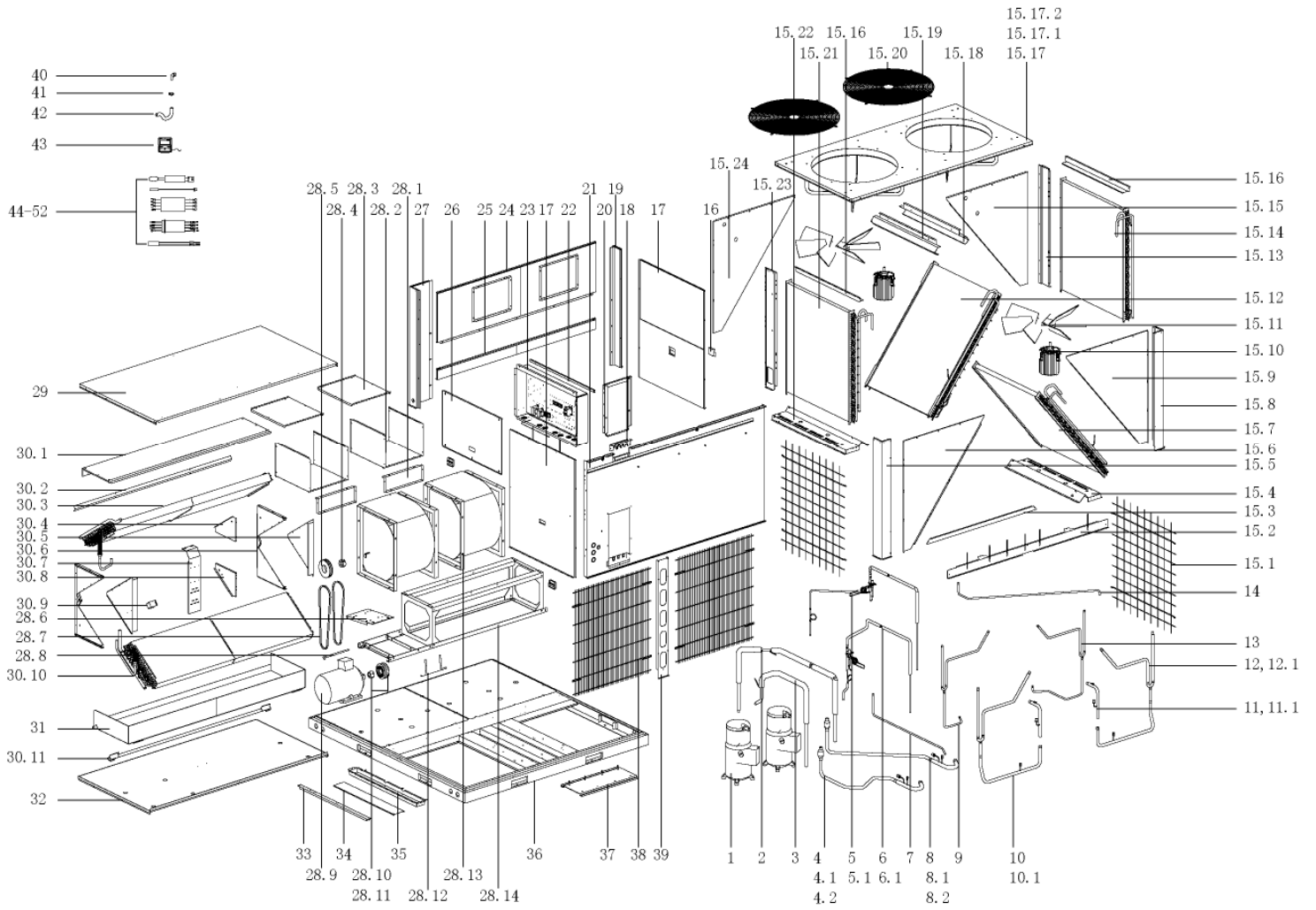
Model CCRT300-3

Power 220V 3N~ 60Hz



20.9 20.10 | 20.10 |
28.11 28.12 28.14

4.1 0.1 0.1 0.1 0.1 10.1
4.2 8.2



No.	Part Name	Quantity	BOM code	Price(\$\$)	Remark
1	Compressor	2	201401401350		
2	Join pipe 4 ass'y	1	201696491164		
3	Join pipe 3 ass'y	1	201696491167		
4	Return air pipe ass'y 1	1	201696491370		
4.1	Meter connector	1	201601200004		
4.2	Pressure controller	1	202301800845		
5	Unloading valve ass'y 2	1	201696491365		
5.1	Unloading valve	1	201601600027		
6	Unloading valve ass'y 1	1	201696491366		
6.1	Unloading valve	1	201601600027		
7	Join pipe 1	1	201696491179		
8	Return air pipe ass'y 2	1	201696491367		
8.1	Meter connector	1	201601200004		
8.2	Pressure controller	1	202301800845		
9	Join pipe 7 ass'y	1	201696491175		
10	Join pipe 5 ass'y	1	201696491183		
10.1	Meter connector	1	201601200004		
11	Outlet pipe 1 ass'y	2	201696491159		
11.1	Pressure controller	1	202301800843		
12	Join pipe 6 ass'y	1	201696491180		
12.1	Meter connector	1	201601200004		
13	Join pipe ass'y	1	201696491161		
14	Join pipe 2 ass'y	1	201696491177		
15	Condenser hoisting ass'y	1	201296491167		
15.1	Net	2	201296491053		
15.2	Line board 2 ass'y	1	201296491051		
15.3	Condenser connecting board	1	201296491069		
15.4	Condenser support plate 2	1	201296491058		
15.5	Pole 1	1	201296491071		
15.6	Condenser sealplate 1	1	201296491068		
15.7	Condenser 4	1	201596490104		
15.8	Pole 2	1	201296491070		
15.9	Condenser sealplate 5	1	201296491056		
15.10	Motor	2	202400800984		
15.11	Axial fan	2	201200300036		
15.12	Condenser 2	1	201596490106		
15.13	Pole ass'y 4	1	201296491061		
15.14	Condenser ass'y 3	1	201596490095		

15.15		Condenser sealplate 6	1	201296491055		
15.16		Condenser sealplate 4	2	201296491065		
15.17		Top cover board ass'y	1	201296491155		
15.17.1		Top cover	1	P73001664663		
15.17.2		Motor fixed mount	2	P73001664632		
15.18		Condenser sealplate 7	1	201296491054		
15.19		Condenser sealplate 3	1	201296491066		
15.20		Grille	2	201296490959		
15.21		Condenser ass'y 1	1	201596490099		
15.22		Condenser support board 1	1	201296491057		
15.23		Pole ass'y 7	1	201296491059		
15.24		Condenser sealplate 2	1	201296491067		
16		Handle	3	201148700003		
17		Inside panel ass'y 3	2	201296491101		
18		Pipe clamp board ass'y	1	201296390602		
19		Pole ass'y 5	1	201296491116		
20		Median septum sealplate ass'y	1	201296491094		
21		Median septum ass'y	1	201296491119		
22		E-part control box support board	1	201296491134		
23		E-part control box ass'y	1	203396490055		
23.1		E-part control box	1	201296491108		
23.2		Main control board ass'y	1	201396490069		
23.3		Contacto	2	202300800110		
23.4		AC contacto	2	202300830062		
23.5		AC contacto	1	202300850050		
23.6		Transformer	1	202300930280		
23.7		Linear transformer	1	202300930283		
23.8		Wire joint(4P)	1	202301400481		
23.9		Wire joint	1	202301450135		
24		Inside panel ass'y 2	1	201296491097		
25		Inside panel ass'y 1	1	201296491099		
26		E-part control box cover	1	201296491096		
27		Pole ass'y 6	1	201296491087		
28		Duct hoisting ass'y	1	201296491166		
28.1		Duct coaming 2 ass'y	2	201296491040		
28.2		Duct coaming 3 ass'y	2	201296190458		
28.3		Duct coaming 1	2	201296491043		
28.4		Taper sleeve	1	202900200028		
28.5		Belt Pulley	1	202900100152		
28.6		Motor mounting plate	1	201296491014		
28.7		Belt	2	202701000311		
28.8		Polish rod	1	201296491027		
28.9		Motor	1	202400800536		
28.10		Adjustable belt pulley	1	202900101069		
28.11		Taper sleeve	1	202900201021		
28.12		Adjusting screw rod	1	201296491028		
28.13		Centrifugal fan	1	201200300895		
28.14		Fan support board	1	201296491044		
29		Cover ass'y 1	1	201296491111		
30		Evaporator hoisting ass'y	1	201296491169		
30.1		Evaporator sealplate 3	1	201296491082		
30.2		Sealplate ass'y	1	201296491170		
30.3		Evaporator ass'y 2	1	201596490101		
30.4		Evaporator join board 2	1	201296491073		
30.5		Evaporator join board 1	2	201296491083		

30.6	Evaporator sealplate ass'y	2	201296491142		
30.7	Evaporator join board 3	1	201296491118		
30.8	Evaporator join board	1	201296491144		
30.9	Pipe supporting board I	1	201296290086		
30.10	Evaporator ass'y 1	1	201596490126		
30.11	Evaporator sealplate ass'y 2	1	201296491143		
31	Drain pan ass'y	1	201296491086		
32	Base ass'y	1	201296491125		
33	Base beam	1	201296491124		
34	Line board 1	1	201296491085		
35	Line board ass'y 1	1	201296491105		
36	Base ass'y	1	201296491084		
37	Compressor base	1	201296491092		
38	Net 2	2	201296491133		
39	Pole 3	1	201296491107		
40	Water outlet joint	1	201196190003		
41	Snap ring	1	201196190001		
42	Water outlet syphon	1	202796190001		
43	Wire controller	1	203355100023		
44	room temp sensor ass'y	1	202301300091		
45	Pipe Temp. sensor ass'y	2	202301300738		
46	Pipe temp. sensor ass'y	1	202301300741		
47	Pipe temp. sensor ass'y	1	202301300739		
48	Room Temp. sensor ass'y	1	202301300198		
49	Wire	1	202496490017		
50	Compressor connect line set	2	202490190059		
52	Discharge temp. controller	2	202301610049		