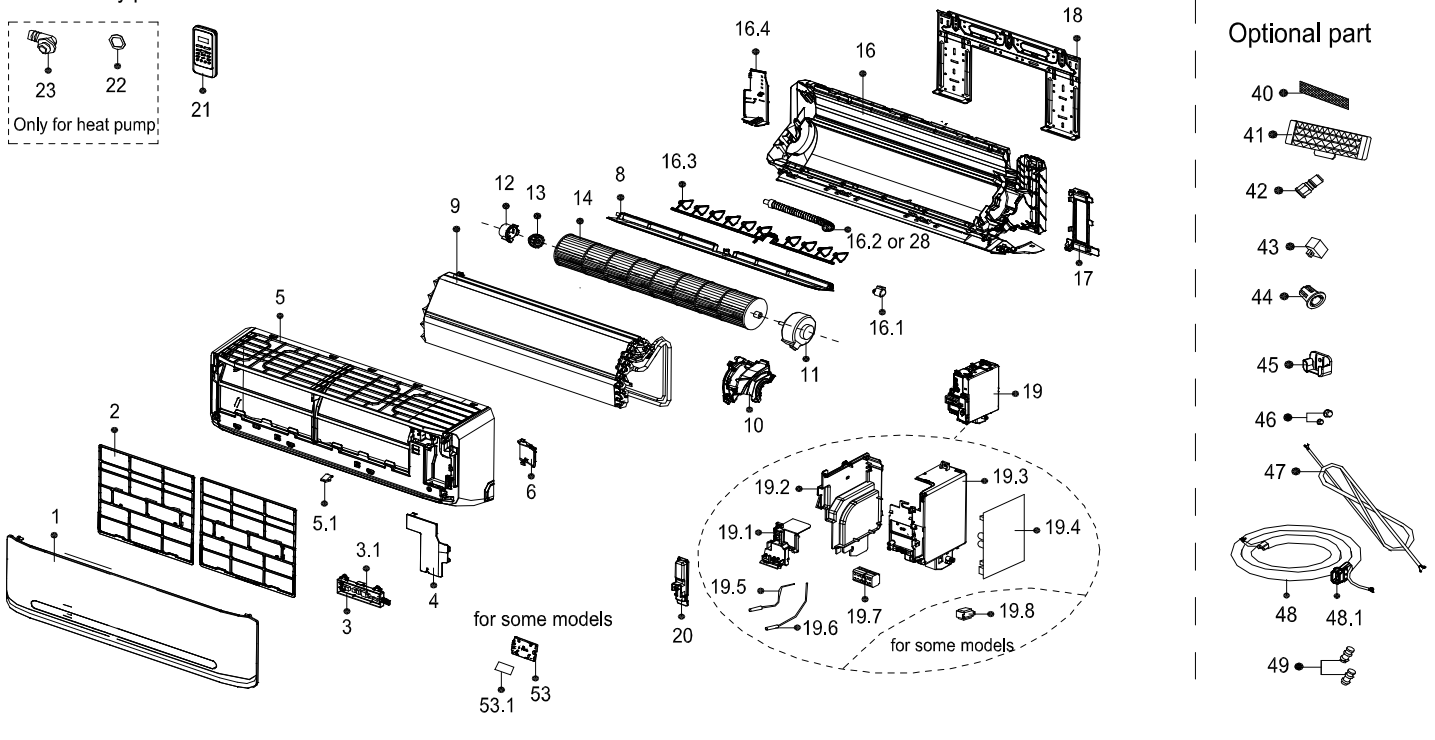
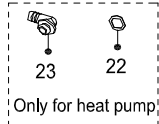
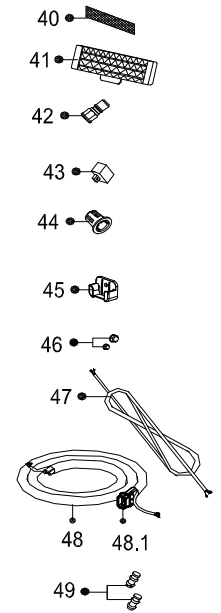


Accessory part



Optional part



No.	Part Name	Quantity	PART#
1	Panel Assembly	1	12122000A67244
2	Filter Filter Subassembly	2	A32591089
3	Display Box Subassembly	1	17222000A51533
3.1	Display Board Subassembly	1	C323A2305
4	Cover Of Electrical Equipment	1	A32591087
5	Panel Frame Assembly	1	A32591091
6	Front Cover Of Chassis(Right)	1	A32501310
8	Horizontal Louver Assembly	1	A32591090
9	Evaporator Assembly	1	15822000008189
10	Fan Motor Cover	1	A32591088
11	Single Phase Asynchronous Motor	1	N00401651
12	Bearing Holder	1	A19900952
13	Bearing Base	1	Q19900606
14	Cross Flow Fan	1	A00200337
16	Chassis Assembly	1	12122000011818
16.1	Stepper Motor	1	N00200031
16.3	Vertical Vane Subassembly	1	A32591136
16.4	Front Cover Of Chassis(Left )	1	12122000010098
17	Pipe Clamp Board	1	12122000012943
18	Installation Plate	1	B32390037
19	Electronic Control Box Subassembly (Mid-And Low-End)	1	17222000010948
19.1	Electronic Control Box	1	A32591082
19.2	Left Cover Of Electronic Control Box	1	A32591083
19.3	Right Cover Of Electronic Control Box	1	A32591084
19.4	Main Control Board Subassembly	1	17122000020570
19.5	Room Temperature Sensor	1	M01310079
19.6	Pipe Temperature Sensor	1	M01300426
19.7	Terminal	1	M01400488
20	Cover Of Electronic Control Box	1	A32591086
21	Remote Controller	1	17317000A16345
28	Drain Hose	1	A32300999
40	Air Fresh Filter	1	A31410703
42	Detection Valve	1	F01600099
45	Bracket Of Remote Controller	1	A550A3109
46	Pipe Nut	1	F00400088
46	Copper Nut (gas)	1	F00320002
46	Copper Nut (liquid)	1	F00320000