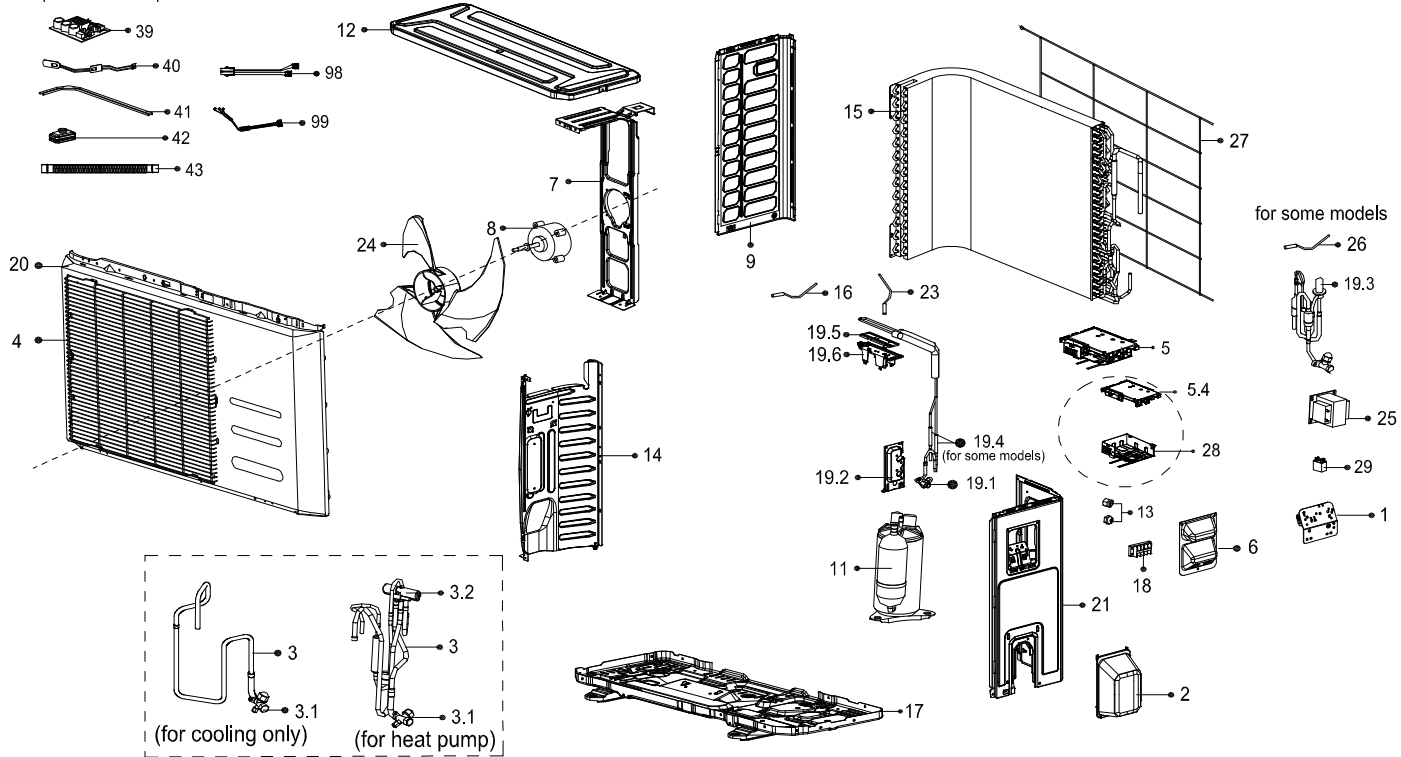


Optional function parts



No.	Part Name	Quantity	PART#	Remark
1	Support Of Electronic Control Box	1	12222000005424	
2	Water Collector	1	A37500025	
3	Gas Valve Assembly	1	15423000001959	
3.1	Gas Valve	1	F00720398	
4	Air Outlet Grille	1	12222000007425	
5	Electronic Control Box Subassembly	1	17222000010149	
5.4	Electronic Installing Box	1	A37300257	
6	Big Handle Assembly	1	12222000005102	
7	Supporter Subassembly Of Fan Motor	1	12222000005182	
8	Brushless Dc Motor	1	N00310150	
9	Left Side Plate Assembly Of Cabinet	1	12222000004831	
11	Dc Inverter Rotary Compressor	1	D00611301	
12	Top Cover Assembly	1	12222000004835	
13	Copper Nut 1	1	F00320003	
13	Copper Nut 2	1	F00320001	
14	Partition Board Assembly	1	12222000005423	
15	Condenser Assembly	1	15822000A16100	
16	Room Temperature Sensor	1	M01300476	
17	Chassis Assembly	1	12222000004823	
18	Terminal	1	M01400256	
19	Liquid Valve Assembly	1	15422000006072	
19.1	Liquid Valve	1	F00740697	
19.2	Valve Plate	1	B37300325	
19.5	Radiator	1	11203803001176	
19.6	U-Typed Support With Copper Pipe	1	12122000011478	
20	Front Panel Assembly	1	12222000006304	
21	Right Side Plate	1	12222000004830	
23	Pipe Temperature Sensor	1	N40500004	
24	Axial Flow Fan	1	12100105000181	
26	Discharge Temperature Sensor	1	M01310068	
27	Rear Net	1	12222000004833	
28	Electronic Installing Box Subassembly	1	1222200002695	
99	Compressor Wire Subassembly	1	N02220154	