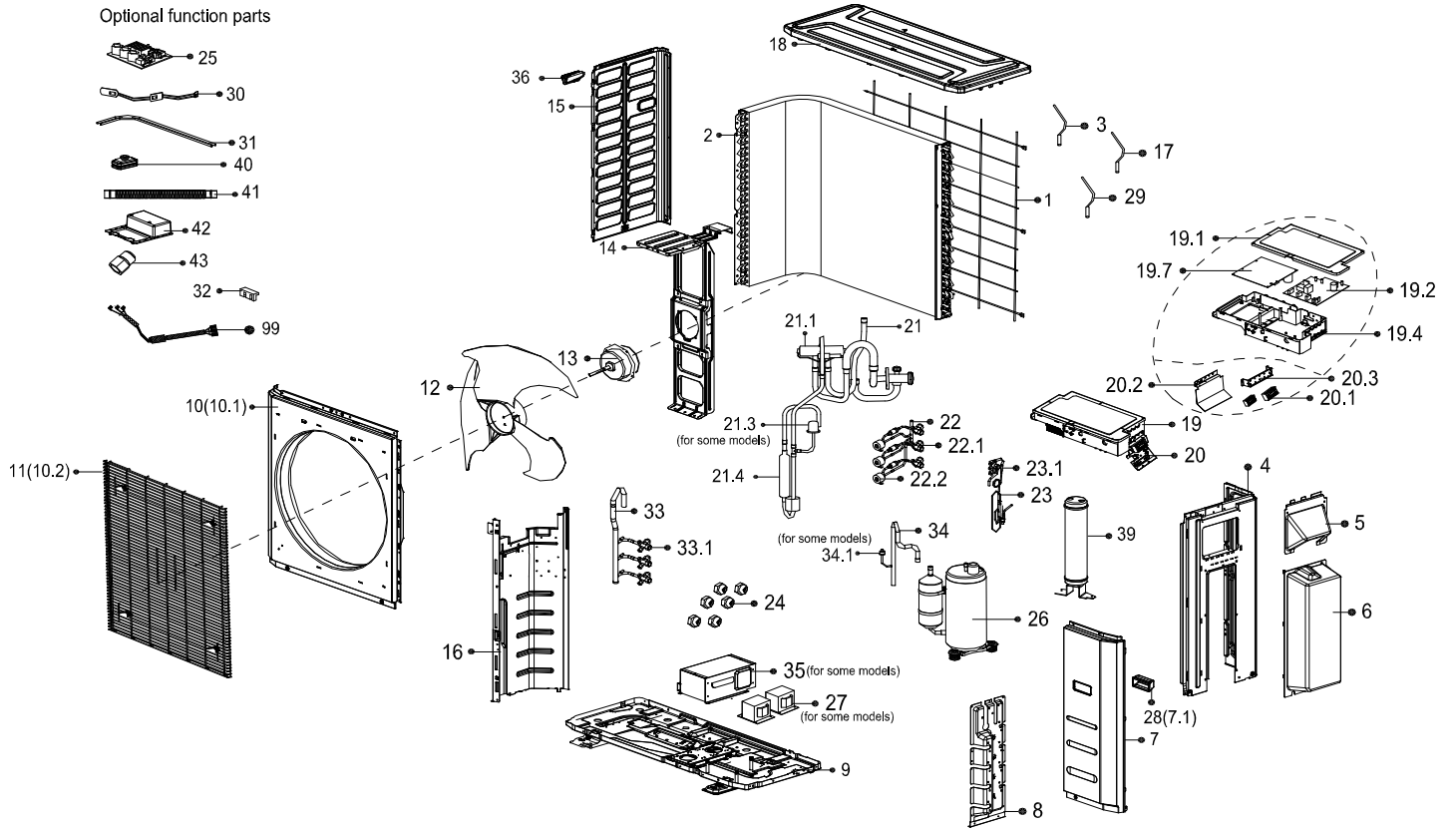


Optional function parts



No.	Part Name	Quantity	BOM Code
1	Rear net	1	12222000006604
2	Condenser assembly	1	15822000008779
3	Pipe temperature sensor 1400mm	1	11201007000044
3	Pipe temperature sensor 850mm	1	11201007000136
4	Rear right clapboard assembly	1	12222000012226
5	Big handle assembly	1	12222000011085
6	Water collector	1	12122300000110
7	Front right clapboard assembly	1	12222500A00135
7.1	handle	1.0	12100702000038
8	Valve plate	1	12222000005282
9	Chassis assembly	1	12222000005267
10	Front panel	1	12222000A01431
11	Air outlet grille	1	12222000007904
12	Axial flow fan	1	12100105000084
13	Brushless DC Motor	1	11002015000247
14	Supporter subassembly of fan motor	1	12222000005162
15	Left side plate assembly of cabinet	1	12222000006665
16	Partition board assembly	1	12222200001158
17	Room temperature sensor	1	11201007000039
18	Top cover assembly	1	12222500000587
19	Electronic control box subassembly	1	17222000031054
19.1	Electronic installing box subassembly1	1.0	12122200002719
19.2	Outdoor main control board subassembly	1.0	17122000042148
19.4	Electronic installing box subassembly	1.0	12122200002715
19.7	Inverter module subassembly	1.0	17122000045728
20	Terminal board subassembly	1	17222000027834
20.1	Terminal	2.0	17400401000135
20.2	Terminal board1	1.0	12222300000033
20.3	Terminal board2	1.0	12222300000032
21	4-way valve assembly	1	15422300000347
21.1	4-way valve	1.0	15500216000361
21.2	Gas valve (in one)	1.0	15500204000049
21.3	Over high Pressure switch	1.0	17400516000020
21.4	Muffler	1.0	15500506000007
22	Liquid valve assembly	1	15422300000404
22.1	Liquid valve 1/4	3.0	15500208000028

22.2	Electronic expansion valve subassembly	3.0	15500213000046
23	Liquid valve assembly2	1	15422000016293
23.1	Liquid valve (in one)	1.0	15500208000047
24	Copper nut 3/8	2	15500406000010
24	Copper nut 1/2	3	15500406000012
24	Copper nut 1/4	3	15500406000016
26	DC Inverter Rotary Compressor	1	11103020000719
27	PFC inductor	1	11201101000017
29	Discharge temperature sensor	1	11201007000157
30	Electric heating tube	1	17402002000466
31	Crankcase electric heater	1	17402001000601
33	Gas valve assembly	1	15422000A01486
33.1	Gas valve 3/8	2.0	15500204000021
33.1	Gas valve 1/2	1.0	15500204000058
34	Suction pipe assembly	1	15122300001024
34.1	Pressure switch	1.0	17400516000008
39	Accumulator cylinder	1	15500508000315
43	Transfer connector	2	15500307000001
99	Compressor wire subassembly	1	17401203000909