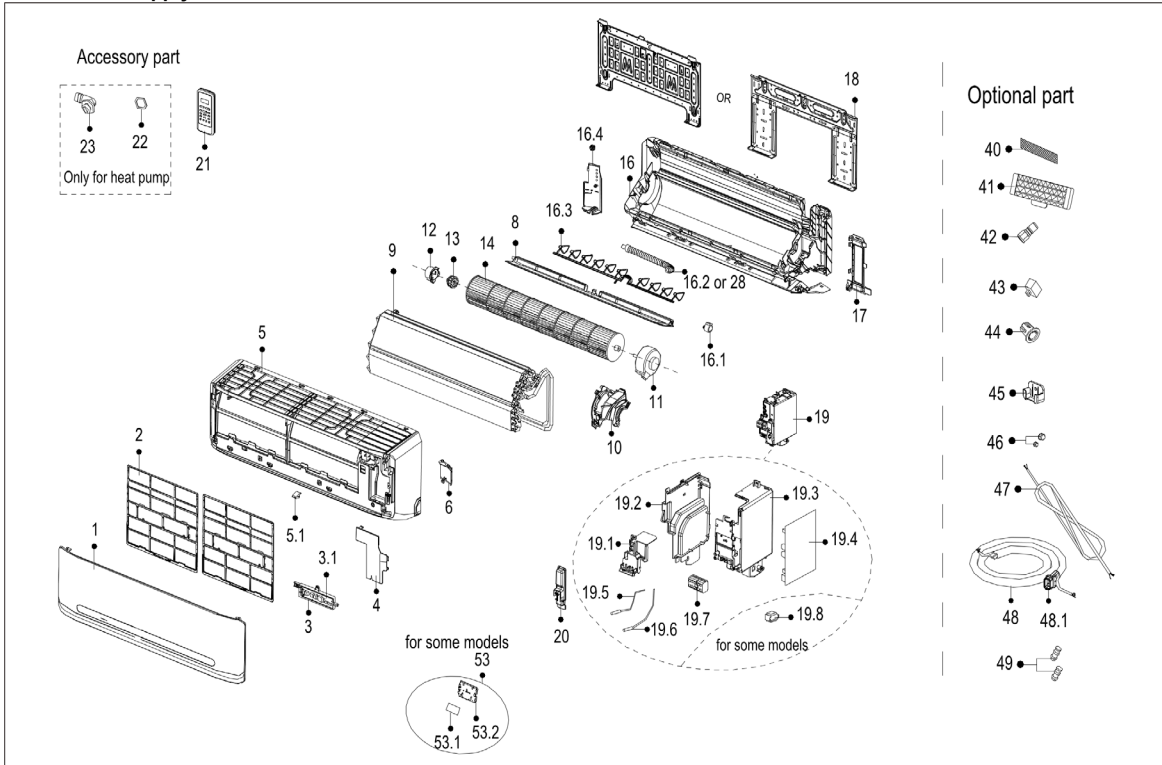


ComfortStar Model: CPG009CA(I)-B
 Power Supply : 208-230V/1Ph/60HZ

ComfortStar®



No.	PART#	Part Name	Quantity	Remark
1	12122000A67242	Panel assembly	1	
2	12100204000479	Air filter	2	
3	17222000A51533	Display box subassembly	1	
3.1	17122000A08523	Display board subassembly	1	
4	12122000006755	Cover of electrical equipment	1	
5	12122000001894	Panel frame assembly	1	
5.1	12122000008242	Screw Cap	1	
6	12122000004587	Front cover of chassis(right)	1	
8	12122000008055	Horizontal louver assembly	1	
9	15822000A16941	Evaporator assembly	1	
10	12122000005540	Fan motor cover	1	
11	11002015006201	Brushless DC Motor	1	
12	12122000000350	Bearing sleeve	1	
13	12622000000006	Beating base	1	
14	12100102000070	Cross flow fan	1	
16	12122000012359	Chassis assembly	1	
16.1	11002010000143	Stepper motor	1	
16.3	12122000000039	Louver Assembly	1	
16.4	12122000010098	Front cover of chassis(left)	1	
17	12122000012943	pipe clamp board	1	
18	12222000A00811	Installation plate	1	
19	17222000028235	Electronic control box subassembly (Mid-and low-end)	1	
19.1	12122000004577	Electronic control box	1	
19.2	12122000004639	Left cover of electronic control box	1	
19.3	12122000004632	Right cover of electronic control box	1	
19.4	17122000044765	Main control board subassembly	1	
19.5	11201007003425	Room temperature sensor	1	
19.6	11201007003447	Pipe Temperature Sensor	1	
19.7	17400401000006	Terminal	1	
20	12122000005020	Cover of electronic control box	1	
21	17317000A16345	Remote controller	1	
22	12600701000039	seal ring	1	
23	12100509000061	Drain hose1	1	
28	12100501000032	Drain hose2	1	
40	12100204000685	Air freshening filter	1	