



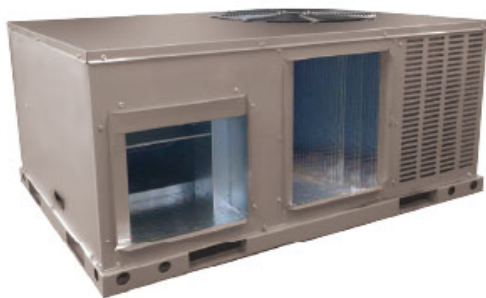
Submittal

Split System Cooling

CPH-42-15

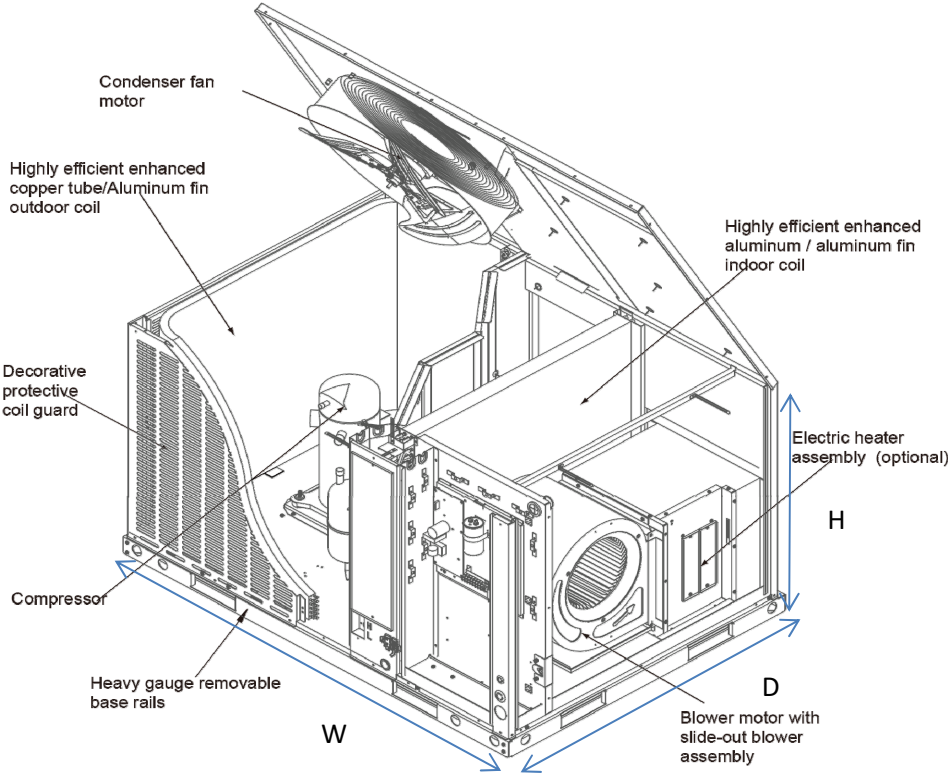
Location: _____
Engineer: _____
Submitted to: _____
Submitted by: _____
Reference: _____

Approval: _____
Date: _____
Construction: _____
Unit # : _____
Drawing # : _____



Note: "Graphics in this document are for representation only. Actual model may differ in appearance."

Unit dimension



Unit Dimension	24K	30K	36K	42K	48K	60K
Width(in.)	52	52	52	58-1/2	58-1/2	58-1/2
Depth(in.)	37-3/4	37-3/4	37-3/4	42-1/16	42-1/16	42-1/16
Height(in.)	24-13/16	24-13/16	24-13/16	33-1/16	33-1/16	33-1/16



Specification

MODEL	CPH-42-15
Cooling capacity (Btu/h)	40500
Sensible (Btu/h)	31793
SEER2/EER2	13.4/11.2
Heating capacity [Btu/h(47°F)]	40500
COP(47°F)	3.6
HSPF2	6.7
Power conns.- V/PH/HZ	208/230/1/60
Min. brch. cir. Ampacity	30.15
Br. cir. prot. rtg. - Max. (Amps)	51.15
Sound power level [dB(A)]	80
Compressor	Scroll
NO. used- NO. speeds	1-1
stage	single
compressor RLA/LRA	21/112.3
R.L. Amps- L.R. Amps	21-112.3
Factory installed	Scroll
Outdoor fan dia. (In.)	23.6
# fan blades	3
Type drive- NO. speed	DIRECT - 10
Motor HP	1/4
Motor speed R.P.M.	200~980
Volts/PH/HZ	208/230/1/60
F.L. Amps	1
Outdoor coil- type	PLATE FIN
Metering device type	pston
Rows- F.P.I.	2-1.2
Face area (SQ. FT.)	15.54
Tube size (In.)	13/64
Indoor fan-type	Centrifugal -PSC
wheel (D x W)	11 X 10
Drive- NO. speed	DIRECT - 3
Motor HP	3/4
Motor speed R.P.M.	1050
F.L. Amps	2.9
Refrigerant control	ORIFICE
LBS. - R-410 (O.D. UNIT)	6 LBS.-10 OZ.
Unit dimension	58-1/2X33-1/16X42-1/16
Net/Gross WT (LBS.)	448/457
Cooling (°F)	55-115
Heating(°F)	5-86

ComfortStar®

12201 N W 107th Avenue
Miami, FL 33178
1.866.524.9898 Toll Free
305.500.9898 Office
305.500.9896 Fax
<http://www.comfortstarusa.com>



The AHRI mark indicates Comfortstar participating in the AHRI Certification program. Visit ahridirectory.org for verification of individual certified products. Comfortstar reserves the right to change design and specs without notice. Comfortstar has a policy of update the data continuously. We are committed to using environmentally conscious print practices.

CPH-42-15 21th Feb 2023
Supersedes CPH-42-15 (Feb.2023)

© 2023 ComfortStar