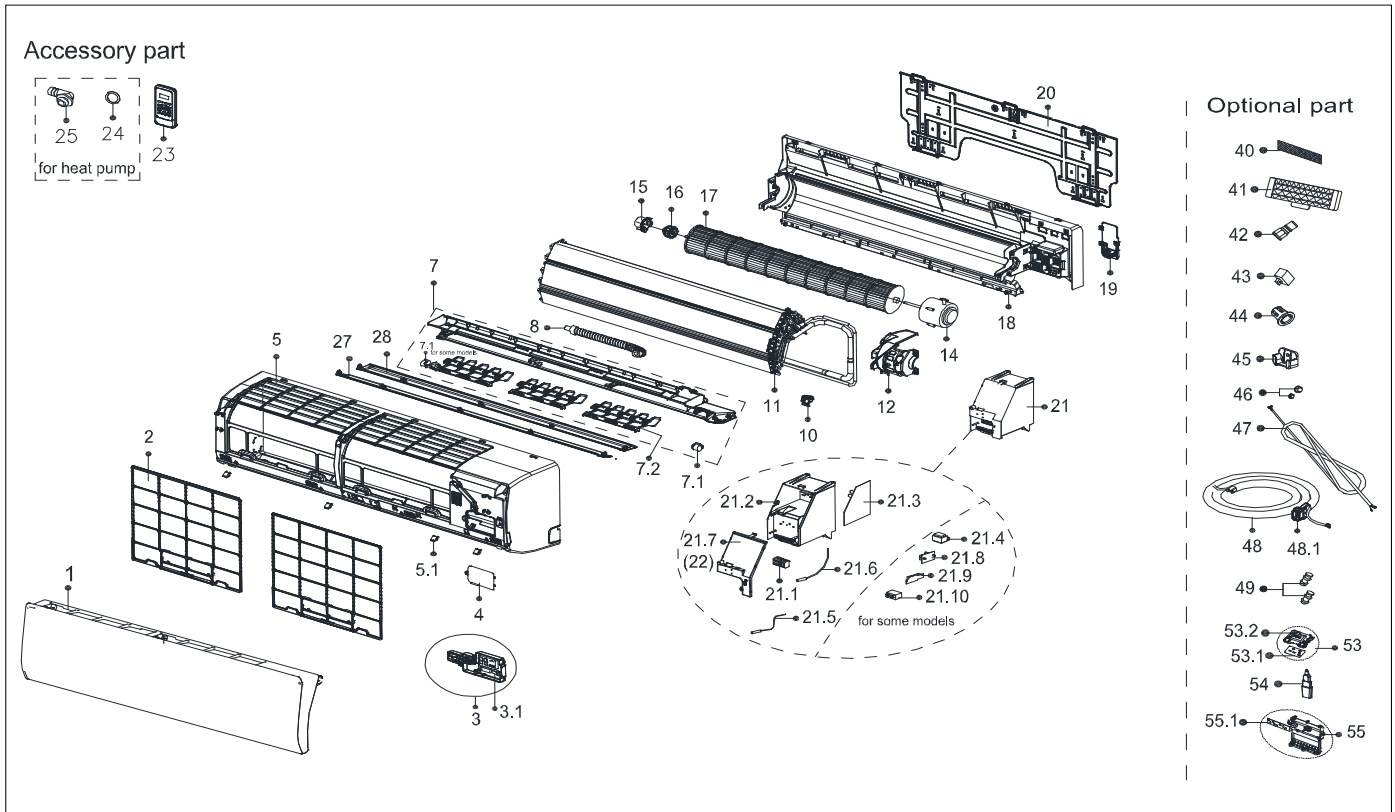


Exploded View

Model

CARAT36CD(I)-M

ComfortStar®



| EX_ID | Spare Parts Code | Part Name(EN) | Qty. | Price | Remarks |
|-------|------------------|-------------------------------|------|-------|---------|
| 1 | 12122000028801 | Panel assembly | 1.0 | | |
| 2 | 12122000025962 | Air filter | 2.0 | | |
| 3 | 17222000031565 | Display box assembly | 1.0 | | |
| 3.1 | 17122000047923 | Display board assembly | 1.0 | | |
| 4 | 12122000006694 | Cover of electrical equipment | 1.0 | | |
| 5 | 12122000001931 | Panel frame assembly | 1.0 | | |
| 5.1 | 12122000006272 | Screw cap | 4.0 | | |
| 7 | 12122000028165 | Air outlet assembly | 1.0 | | |
| 7.1 | 11002010001666 | Louver motor | 1.0 | | |

| | | | | | |
|------|----------------|-------------------------------------|-----|--|--|
| 7.2 | 12122000000148 | Vertical vane | 3.0 | | |
| 8 | 12100501000021 | Drain hose | 1.0 | | |
| 10 | 12122000024323 | Fix clamp of temperature sensor | 1.0 | | |
| 11 | 15822000008462 | Evaporator assembly | 1.0 | | |
| 12 | 12122000005475 | Fan motor cover | 1.0 | | |
| 14 | 11002015008646 | Fan motor | 1.0 | | |
| 15 | 12122000000350 | Bearing holder | 1.0 | | |
| 16 | 12622000000131 | Bearing base | 1.0 | | |
| 17 | 12100102000084 | Cross flow fan | 1.0 | | |
| 18 | 12122000003909 | Chassis assembly | 1.0 | | |
| 19 | 12122000000460 | Pipe clamp board | 1.0 | | |
| 20 | 12222000000029 | Installation plate | 1.0 | | |
| 21 | 17222000036474 | Electronic control box assembly | 1.0 | | |
| 21.1 | 17400401000576 | Wire joint | 1.0 | | |
| 21.2 | 12122000004617 | Electronic control box | 1.0 | | |
| 21.3 | 17122000054232 | Indoor main control board assembly | 1.0 | | |
| 21.5 | 11201007003424 | Ambient temperature sensor assembly | 1.0 | | |
| 21.6 | 11201007003447 | Pipe temperature sensor assembly | 1.0 | | |
| 21.7 | 12122000005040 | Cover of electronic control box | 1.0 | | |
| 23 | 17317000007216 | Remote Controller | 1.0 | | |
| 24 | 12600701000039 | Seal ring | 1.0 | | |
| 25 | 12100509000061 | Drain joint | 1.0 | | |
| 27 | 12122000006106 | Horizontal louver (above) | 1.0 | | |
| 28 | 12122000008092 | Horizontal louver (below) | 1.0 | | |
| 40 | 12100204000685 | Air freshening filter | 1.0 | | |
| 42 | 15500209000002 | Detection valve | 1.0 | | |
| 46 | 15500406000010 | Copper nut | 1.0 | | |
| 46 | 15500406000003 | Copper nut | 1.0 | | |