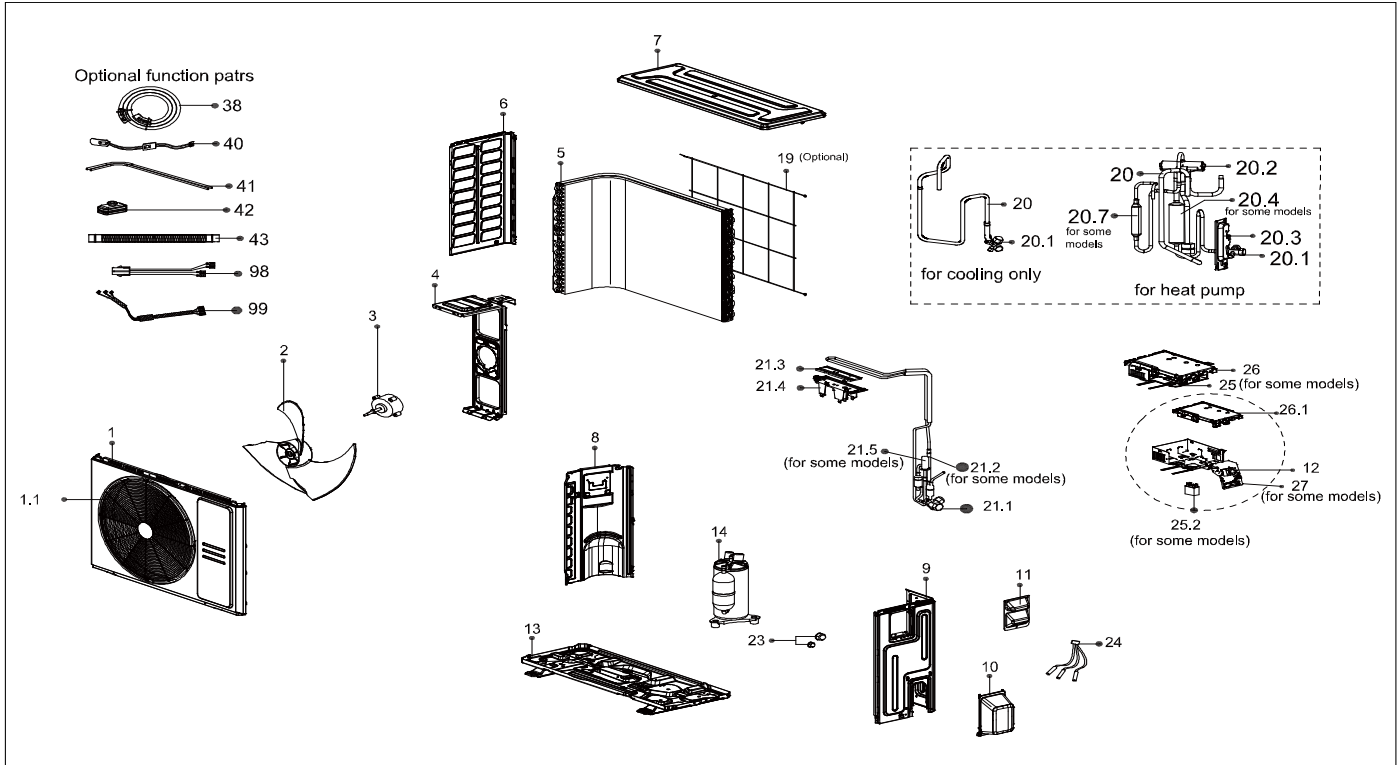


Exploded View

Model CHF18CD(O)

ComfortStar®



EX_ID	Spare Parts Code	Part Name(EN)	Qty.	Price	Remarks
1	12222000A06282	Front panel assembly	1		
2	12100105000841	Axial flow fan	1		
3	11002015000366	Brushless DC Motor	1		
4	12222000012371	Supporter of fan motor	1		
5	15822000009796	Condenser assembly	1		
6	12222000013472	Left supporter	1		
7	12222000013465	Top cover assembly	1		
8	12222000013245	Partition board assembly	1		
9	12222000013466	Right clapboard assembly	1		

10	12122000007150	Water collector	1		
11	12222000010966	Big handle assembly	1		
12	17400401000068	Terminal	1		
13	12222000014054	Chassis assembly	1		
14	11103020006879	DC Inverter rotary compressor	1		
19	12222000013085	Rear net	1		
20	15422000018634	4-way valve assembly	1		
20.1	15500204000058	Gas valve	1.0		
20.2	15500216000026	4-way Valve	1.0		
20.3	12222200005738	Valve plate	1.0		
20.4	15122000027215	Muffler subassembly	1.0		
20.7	15122000025163	Muffler subassembly	1.0		
21	15422000018633	Liquid valve Assembly	1		
21.1	15500208000028	Liquid valve	1.0		
21.2	15500210001848	Throttle valve element	1.0		
21.3	11203803001176	Radiator	1.0		
21.4	12122000011478	U-Typed Support with Copper Pipe	1.0		
21.5	15500213000047	Electronic expansion valve subassembly	1.0		
23	15500406000012	Copper nut	1		
23	15500406000016	Copper nut	1		
24	11201011000188	Combination sensor	1		
25	12222000014405	Terminal board subassembly	1		
26	17222000038687	Electronic control box subassembly	1		
26.1	12122000008999	Electronic installing box	1.0		
40	17402001000603	Crankcase electric heater	1		
41	17402002000544	tube type electric heater	1		
99	17401203012697	Compressor wire subassembly	1		