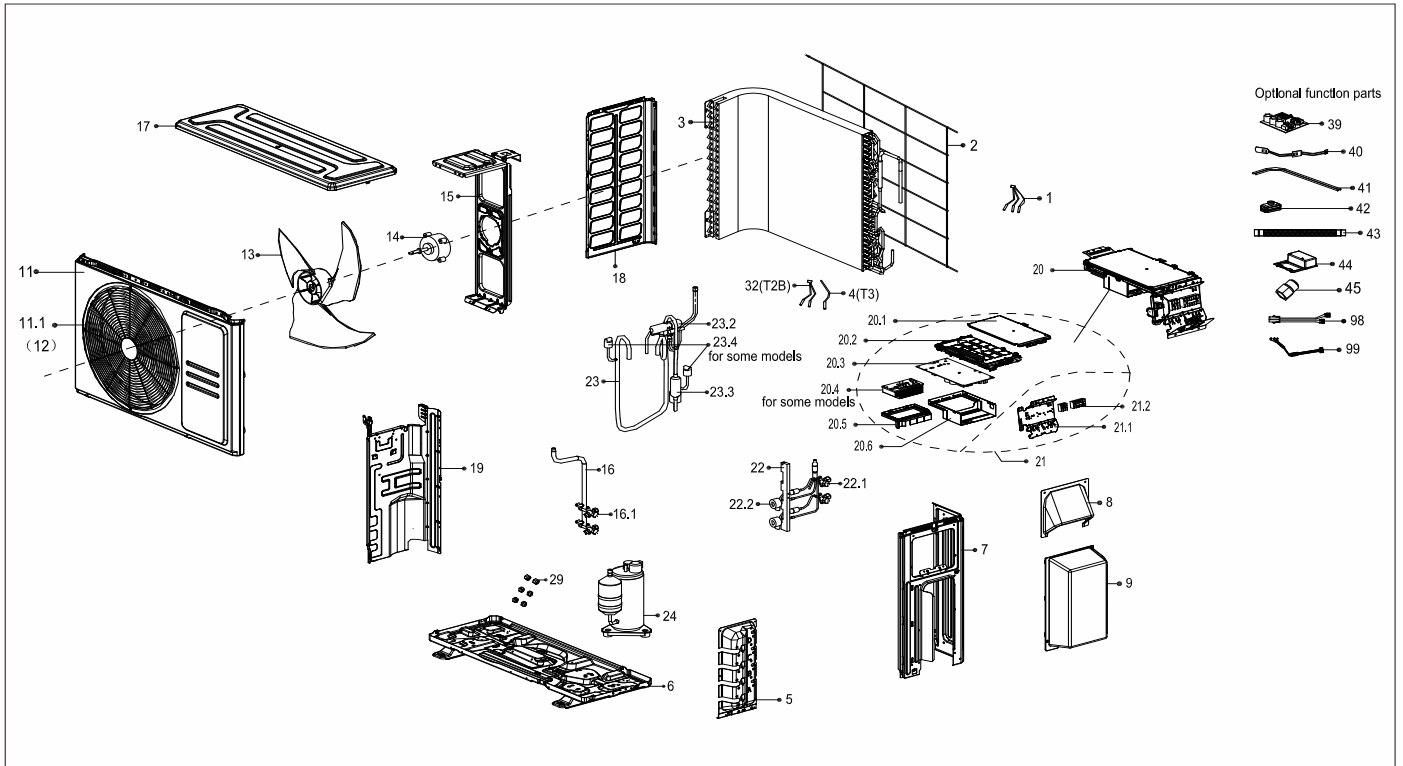


Exploded View

Model

CMZ-18-2Z

ComfortStar®



EX_ID	Spare Parts Code	Part Name(EN)	Qty.	Price	Remarks
1	11201011000187	Combination sensor	1		
2	12222000013085	Rear net	1		
3	15822000009796	Condenser assembly	1		
5	12222000015070	Valve plate	1		
6	12222000014865	Chassis assembly	1		
7	12222000015065	Right clapboard assembly	1		
8	12222300000039	Big Handle Assembly	1		
9	12122000028842	Water collector	1		
11	12222000A06282	Front panel assembly	1		

11.1	12222000A06092	Air outlet grille	1.0		
13	12100105000841	Axial flow fan	1		
14	11002015000366	Brushless DC Motor	1		
15	12222000012371	Supporter of fan motor	1		
16	15422000019934	Gas valve assembly	1		
16.1	15500204000021	Gas valve	2.0		
17	12222000013465	Top cover assembly	1		
18	12222000013472	Left supporter	1		
19	12222000015066	Partition board assembly	1		
20	17222300002708	Electronic control box subassembly	1		
20.1	12222000015067	Cover of electronic control box	1.0		
20.2	12122000028843	Electronic installing box	1.0		
20.3	17122300004172	Main control board subassembly	1.0		
20.5	12122000028844	Support of electronic control box	1.0		
20.6	12222000015068	Electronic installing box subassembly	1.0		
21	17222000035177	Terminal board subassembly	1		
21.1	12222000015069	Terminal board	1.0		
21.2	17400401000037	Terminal	1.0		
21.2	17400401000085	Wire joint	1.0		
21.3	17222000035178	Key board box subassembly	1.0		
21.3.1	17122000053510	Key board subassembly	1.0		
22	15422000019933	Liquid valve assembly	1		
22.1	15500208000028	Liquid valve	2.0		
22.2	15500213001909	Electronic expansion valve	2.0		
23	15422000019932	4-way valve assembly	1		
23.2	15500216000361	4-way valve	1.0		
23.3	15122000028220	Muffler subassembly	1.0		
23.4	17400516000850	Pressure switch	1.0		
23.4	17400516000851	Pressure switch	1.0		
24	11103020006440	DC Inverter rotary compressor	1		
29	15500406000010	Copper nut	2		
29	15500406000016	Copper nut	2		
32	11201007000259	Pipe Temperature Sensor	1		
40	17402001000603	Crankcase electric heater	1		

41	17402002000544	tube type electric heater	1		
45	15500303002545	Pipe joint subassembly	2		
99	17401203000751	Compressor wire subassembly	1		

