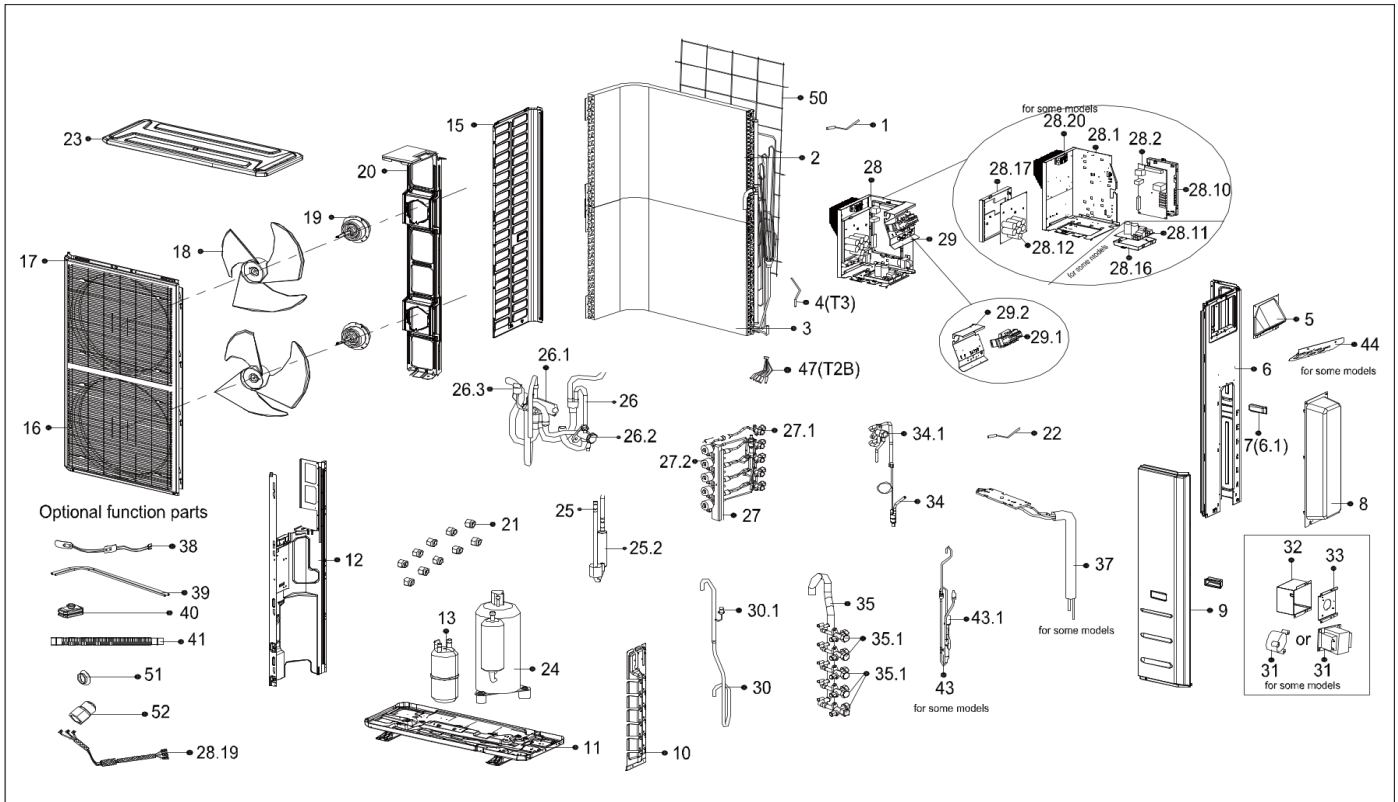


Exploded View

Model

CMZ-60-5Z

ComfortStar®



EX_ID	Spare Parts Code	Part Name(EN)	Qty.	Price	Remarks
1	11201007003448	Room Temperature Sensor	1		
2	15822000008539	Condenser assembly	1		
3	15822000008537	Condenser assembly	1		
4	11201007003441	Pipe Temperature Sensor	1		
5	12222300000039	Big Handle Assembly	1		
6	12222000012227	Rear right clapboard assembly	1		
6.1	12100702000038	handle	1		
8	12122000014341	Water collector	1		
9	12222000006287	Front right clapboard assembly	1		

10	12222000006744	Valve plate	1		
11	12222000006290	Chassis assembly	1		
12	12222000005733	Partition board assembly	1		
13	15500508000009	Liquid-storage tank	1		
15	12222200002363	Left side plate assembly of cabinet	1		
16	12222000014845	Air outlet grille	2		
17	12222000007564	Front panel	1		
18	12100105000022	Axial flow fan	2		
19	11002015009825	Brushless DC Motor	2		
20	12222000006288	Supporter subassembly of fan motor	1		
21	15500406000016	Copper nut	5		
21	15500406000012	Copper nut	2		
21	15500406000010	Copper nut	3		
22	11201007003124	Discharge Temperature Sensor	1		
23	12222200002359	Top cover assembly	1		
24	11103020002859	DC Inverter Rotary Compressor	1		
25	15122000030383	Discharge pipe assembly	1		
25.2	15500506000002	Muffler	1		
26	15422000021879	4-way valve assembly	1		
26.1	15500216000681	4-way valve	1		
26.2	15500204000049	Gas valve	1		
26.3	17400516000851	Pressure switch	1		
27	15422000021257	Liquid valve Assembly	1		
27.1	15500208000028	Liquid valve	5		
27.2	15500213000265	Electronic expansion valve body	5		
28	17222000038816	Electronic control box subassembly	1		
28.1	12222000012372	Installation plate of electric parts subassembly	1		
28.2	17122000057116	Outdoor main control board subassembly	1		
28.10	12122000014342	Electronic installing box	1		
28.12	17122000055772	Inverter module subassembly	1		
28.17	12122000020943	Electronic installing box	1		
28.19	17401203000936	Compressor wire subassembly	1		
29	17222000037758	Terminal board subassembly	1		
29.1	17400401003456	Wire joint	1		

29.1	17400401000135	Terminal	1		
29.1	17400401000084	Terminal	1		
29.2	12222300000729	Terminal instalation subassembly	1		
30	15122000030382	Suction pipe assembly	1		
30.1	17400516000009	Pressure switch	1		
34	15422000017696	Liquid valve assembly	1		
34.1	15500208000047	Liquid valve	1		
35	15422000007215	Gas valve assembly	1		
35.1	15500204000058	Gas valve	2		
35.1	15500204000021	Gas valve	3		
37	15122000030369	Radiator subassembly	1		
38	17402001000602	Crankcase electric heating strip	1		
39	17402002000466	Electric heating tube	1		
43	15422000021878	Electronic expansion valve subassembly	1		
43.1	15500213001405	Electronic expansion valve body	1		
44	12222000013398	Waterproof Board	1		
47	11201007000142	Pipe Temperature Sensor	1		
50	12222000007944	Rear net	1		
52	15500303002547	Pipe joint subassembly	2		
52	15500303002546	Pipe joint subassembly	2		
52	15500303002545	Pipe joint subassembly	3		
52	15500303002544	Pipe joint subassembly	2		