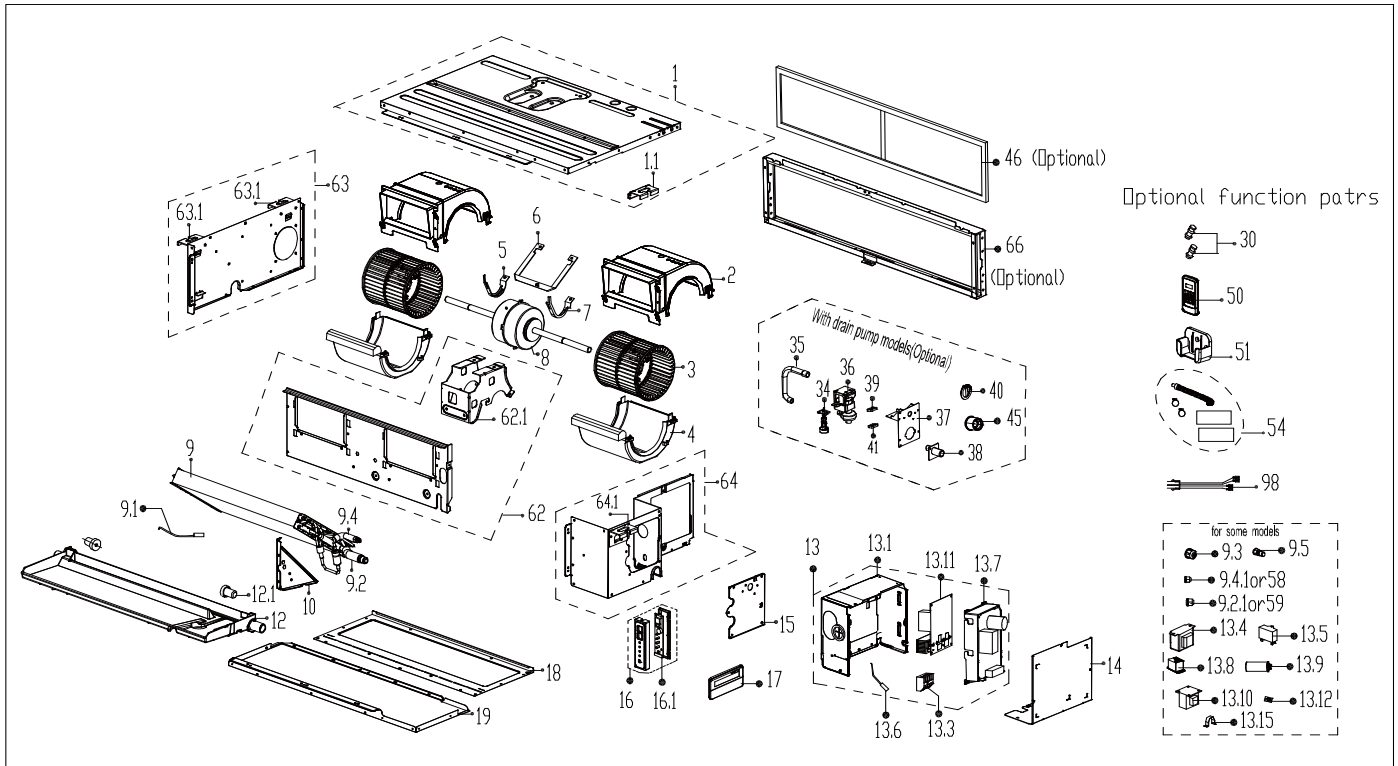


# Exploded View

Model

CPA-09B

ComfortStar®



| EX_ID | Spare Parts Code | Part Name(EN)                | Qty. | Price | Remarks |
|-------|------------------|------------------------------|------|-------|---------|
| 1     | 12223000010324   | Chassis subassembly          | 1    |       |         |
| 1.1   | 12223000012926   | Hook                         | 1.0  |       |         |
| 2     | 12123000001180   | Top volute subassembly       | 2    |       |         |
| 3     | 12100103000804   | centrifuge fan               | 2    |       |         |
| 4     | 12123000002303   | Top volute subassembly       | 2    |       |         |
| 5     | 12222500000253   | Fan motor axes clamp (left)  | 1    |       |         |
| 6     | 12223000010427   | Fan motor fixing board       | 1    |       |         |
| 7     | 12222500000255   | Fan motor axes clamp (right) | 1    |       |         |
| 8     | 11002015008306   | Brushless DC Motor           | 1    |       |         |

|       |                |   |     |  |  |
|-------|----------------|---|-----|--|--|
| 9     | 15823000004321 | Evaporator Assembly                         | 1   |  |  |
| 9.1   | 11201007002320 | Pipe temperature sensor                     | 1.0 |  |  |
| 9.2   | 15123000010747 | Evaporator outlet pipe subassembly          | 1.0 |  |  |
| 9.3   | 15500404000002 | Pipe Nut                                    | 1.0 |  |  |
| 9.4   | 15123000010589 | Evaporator inlet pipe subassembly           | 1.0 |  |  |
| 9.5   | 15500209000001 | Check valve                                 | 1.0 |  |  |
| 10    | 12223000A04010 | Evaporator right support board subassembly  | 1   |  |  |
| 12    | 12123000002483 | Water collector                             | 1   |  |  |
| 12.1  | 12600801000883 | Rubber plug                                 | 2.0 |  |  |
| 13    | 17223000005236 | E-Parts Box assembly                        | 1   |  |  |
| 13.1  | 12223000010447 | Electronic control box                      | 1.0 |  |  |
| 13.3  | 17400401000075 | Terminal                                    | 1.0 |  |  |
| 13.6  | 11201007000283 | Room Temperature Sensor                     | 1.0 |  |  |
| 13.7  | 17123000004312 | Duct main control board subassembly         | 1.0 |  |  |
| 13.10 | 17400306000070 | Reactor                                     | 1.0 |  |  |
| 13.11 | 17122000038512 | Inverter module subassembly                 | 1.0 |  |  |
| 14    | 12223000013828 | Cover of electronic control box subassembly | 1   |  |  |
| 15    | 12223000A04012 | Pipe clamp board subassembly                | 1   |  |  |
| 16    | 17223000000003 | Duct display board subassembly              | 1   |  |  |
| 16.1  | 17123000002712 | Duct display board subassembly              | 1.0 |  |  |
| 17    | 17317100003015 | Wired controller                            | 1   |  |  |
| 18    | 12223000010323 | Rear cover subassembly                      | 1   |  |  |
| 19    | 12223000010326 | Top cover subassembly                       | 1   |  |  |
| 34    | 11201005000006 | Water level sensor                          | 1   |  |  |
| 35    | 12623000000003 | Rubber tube                                 | 1   |  |  |
| 36    | 11001010000063 | Induction Pump                              | 1   |  |  |
| 38    | 12100510000021 | Drain pipe                                  | 1   |  |  |
| 39    | 12622500000004 | Drain pump rubber washer                    | 1   |  |  |
| 41    | 12622500000003 | Drain pump rubber washer                    | 1   |  |  |
| 46    | 12223000A03901 | Air filter                                  | 1   |  |  |
| 50    | 17317000A64087 | Remote controller                           | 1   |  |  |
| 51    | 12122000029201 | Bracket of remote Controller                | 1   |  |  |
| 54    | 12011600A00310 | Accessory kit                               | 1   |  |  |
| 58    | 15500406000010 | Copper nut                                  | 1   |  |  |

|      |                |                                     |     |  |  |
|------|----------------|-------------------------------------|-----|--|--|
| 59   | 15500406000016 | Copper nut                          | 1   |  |  |
| 62   | 12223000010325 | Middle beam subassembly             | 1   |  |  |
| 62.1 | 12223000010309 | Fan motor support                   | 1.0 |  |  |
| 63   | 12223000010311 | Left side plate assembly of cabinet | 1   |  |  |
| 63.1 | 12223000012927 | Hook                                | 2.0 |  |  |
| 64   | 12223000010320 | Right clapboard subassembly         | 1   |  |  |
| 64.1 | 12223000012927 | Hook                                | 1.0 |  |  |
| 66   | 12223000A03903 | Right clapboard subassembly         | 1   |  |  |