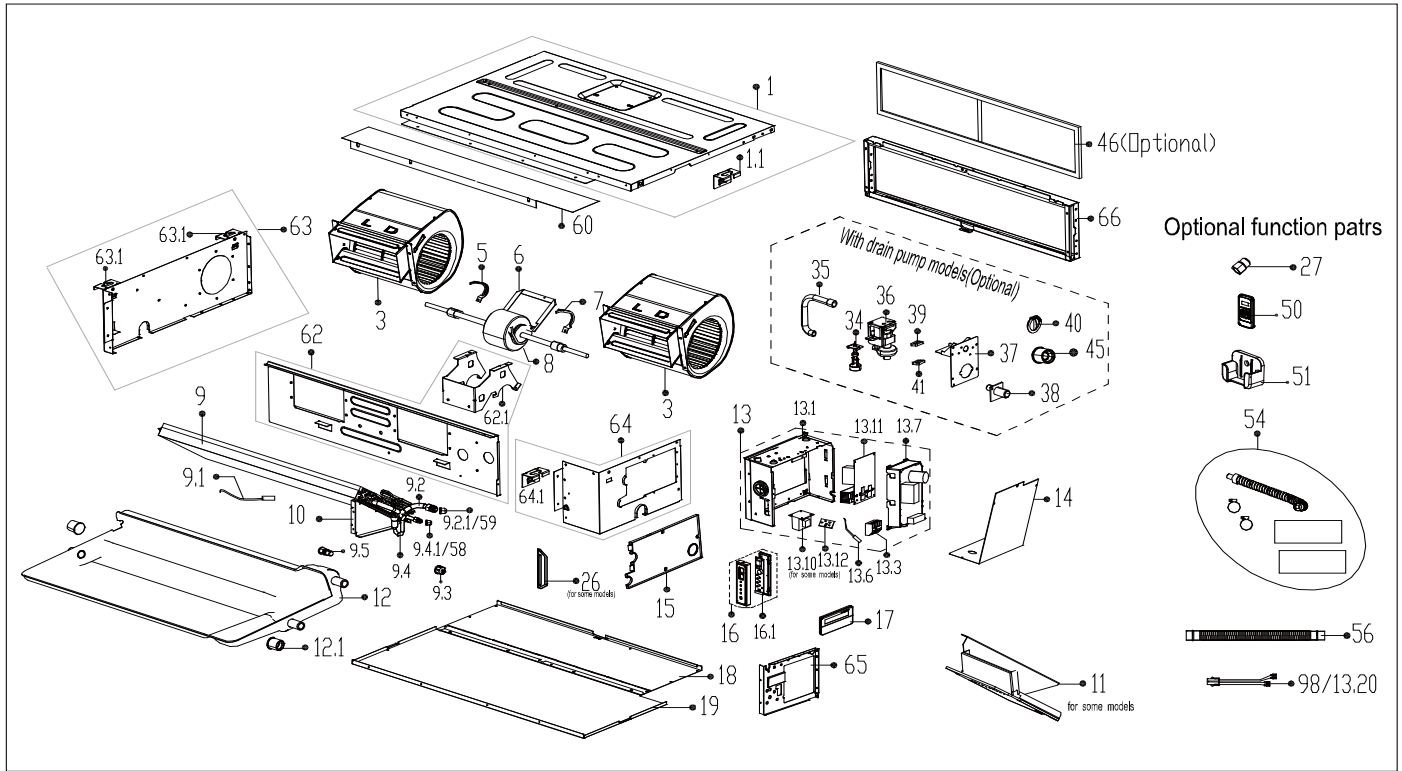


# Exploded View

Model

CPA-24B

**ComfortStar®**



| EX_ID | Spare Parts Code | Part Name(EN)                | Qty. | Price | Remarks |
|-------|------------------|------------------------------|------|-------|---------|
| 1     | 12223000011153   | Chassis subassembly          | 1    |       |         |
| 1.1   | 12223000012926   | Hook                         | 1.0  |       |         |
| 3     | 12200101000194   | centrifuge fan assembly      | 2    |       |         |
| 5     | 12222500000253   | Fan motor axes clamp (left)  | 1    |       |         |
| 6     | 12223000000537   | Fan motor fixing board       | 1    |       |         |
| 7     | 12222500000255   | Fan motor axes clamp (right) | 1    |       |         |
| 8     | 11002015002521   | Brushless DC Motor           | 1    |       |         |
| 9     | 15823000004563   | Evaporator assembly          | 1    |       |         |
| 9.1   | 11201007000136   | Pipe Temperature Sensor      | 1.0  |       |         |

|       |                |  |     |  |  |
|-------|----------------|--|-----|--|--|
| 9.2   | 15123000008702 | Evaporator outlet pipe subassembly         | 1.0 |  |  |
| 9.3   | 15500404000005 | Pipe Nut                                   | 1.0 |  |  |
| 9.4   | 15123000011148 | Evaporator inlet pipe subassembly          | 1.0 |  |  |
| 9.5   | 15500209000002 | Detection valve                            | 1.0 |  |  |
| 10    | 12223000008851 | Evaporator right support board subassembly | 1   |  |  |
| 11    | 12223000008848 | Water collector subassembly                | 1   |  |  |
| 12    | 12223000008876 | Water collector assembly                   | 1   |  |  |
| 12.1  | 12600801000543 | Rubber plug                                | 2.0 |  |  |
| 13    | 17223000004417 | Duct electronic control box subassembly    | 1   |  |  |
| 13.1  | 12223000011047 | Electronic control box                     | 1.0 |  |  |
| 13.3  | 17400401000075 | Terminal                                   | 1.0 |  |  |
| 13.6  | 11201007000283 | Room Temperature Sensor                    | 1.0 |  |  |
| 13.7  | 17123000003474 | Duct main control board subassembly        | 1.0 |  |  |
| 13.10 | 17400306000070 | Reactor                                    | 1.0 |  |  |
| 13.11 | 17122000030569 | Inverter module subassembly                | 1.0 |  |  |
| 13.20 | 17401203003071 | HV Junction Cable subassembly              | 1.0 |  |  |
| 14    | 12223000009109 | Electrical Control Box Cover Subassembly   | 1   |  |  |
| 15    | 12223000A03149 | Pipe clamp board subassembly               | 1   |  |  |
| 16    | 17223000000003 | Duct display board subassembly             | 1   |  |  |
| 16.1  | 17123000002712 | Duct display board subassembly             | 1.0 |  |  |
| 17    | 17317100003015 | Wired controller                           | 1   |  |  |
| 18    | 12223000008888 | Rear cover subassembly                     | 1   |  |  |
| 19    | 12223000008887 | Top cover subassembly                      | 1   |  |  |
| 34    | 11201005000006 | Water level sensor                         | 1   |  |  |
| 35    | 12623000000003 | Rubber tube                                | 1   |  |  |
| 36    | 17400802000021 | Water pump                                 | 1   |  |  |
| 37    | 12223000A03150 | Exhaust pump subassembly                   | 1   |  |  |
| 39    | 12622500000004 | Drain pump rubber washer                   | 1   |  |  |
| 41    | 12622500000003 | Drain pump rubber washer                   | 1   |  |  |
| 45    | 12600801000543 | Rubber plug                                | 1   |  |  |
| 46    | 12123000A00300 | Air filter                                 | 1   |  |  |
| 50    | 17317000A16345 | Remote controller                          | 1   |  |  |
| 51    | 12117000002116 | Bracket of remote Controller               | 1   |  |  |
| 54    | 12011600A00310 | Accessory kit                              | 1   |  |  |

|      |                |                             |     |  |  |
|------|----------------|-----------------------------|-----|--|--|
| 56   | 12100510000021 | Drain pipe                  | 1   |  |  |
| 58   | 15500406000010 | Copper nut                  | 1   |  |  |
| 59   | 15500406000003 | Copper nut                  | 1   |  |  |
| 60   | 12223000008890 | Front beam subassembly      | 1   |  |  |
| 62   | 12223000008875 | Middle beam subassembly     | 1   |  |  |
| 62.1 | P000000070016  | Fan motor support           | 1.0 |  |  |
| 63   | 12223000011158 | Left clapboard subassembly  | 1   |  |  |
| 63.1 | 12223000012927 | Hook                        | 2.0 |  |  |
| 64   | 12223000011154 | Right clapboard subassembly | 1   |  |  |
| 64.1 | 12223000012927 | Hook                        | 1.0 |  |  |
| 65   | 12223000008114 | Right side plate            | 1   |  |  |
| 66   | 12223000A03124 | Right clapboard subassembly | 1   |  |  |