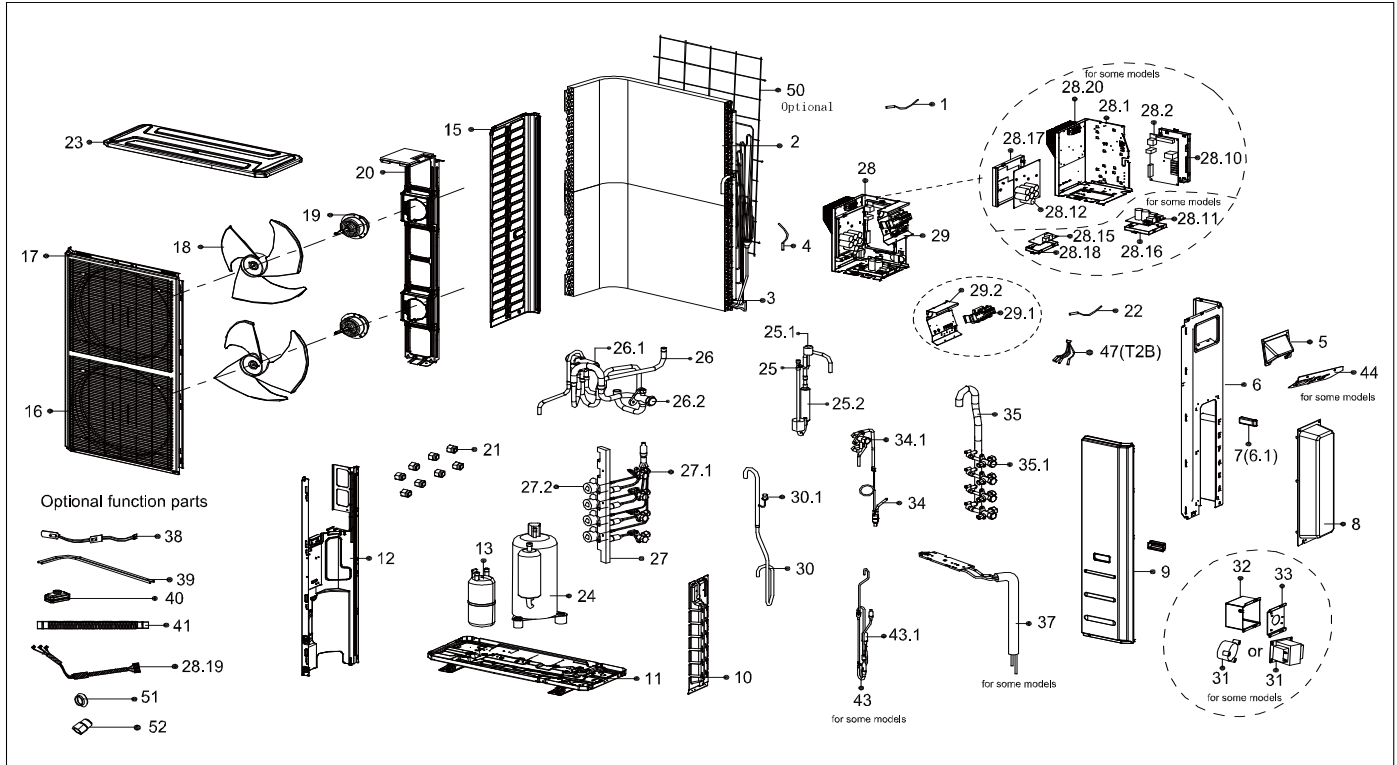


# Exploded View

Model

CVH-36-4SH

ComfortStar®



EX_ID	Spare Parts Code	Part Name(EN)	Qty.	Price	Remarks
1	11201007003448	Room Temperature Sensor	1		
2	15822000008539	Condenser assembly	1		
3	15822000008537	Condenser assembly	1		
4	11201007003441	Pipe Temperature Sensor	1		
5	12222300000039	Big Handle Assembly	1		
6	12222000012227	Rear right clapboard assembly	1		
6.1	12100702000038	handle	1.0		
8	12122000014341	Water collector	1		
9	12222000006287	Front right clapboard assembly	1		

10	12222000006744	Valve plate	1		
11	12222000006290	Chassis assembly	1		
12	12222000005733	Partition board assembly	1		
13	15500508000009	Liquid-storage tank	1		
15	12222200002363	Left side plate assembly of cabinet	1		
16	12222000014845	Air outlet grille	2		
17	12222000007564	Front panel	1		
18	12100105000022	Axial flow fan	2		
19	11002015009825	Brushless DC Motor	2		
20	12222000006288	Supporter subassembly of fan motor	1		
21	15500406000010	Copper nut	2		
21	15500406000012	Copper nut	2		
21	15500406000016	Copper nut	4		
22	11201007003124	Discharge Temperature Sensor	1		
23	12222200002359	Top cover assembly	1		
24	11103020000619	DC Inverter Rotary Compressor	1		
25	15122000026303	Discharge pipe assembly	1		
25.1	17400516000851	Pressure switch	1.0		
25.2	15500506000002	Muffler	1.0		
26	15422000017697	4-way valve assembly	1		
26.1	15500216000681	4-way valve	1.0		
26.2	15500204000049	Gas valve	1.0		
27	15422000021259	Liquid valve Assembly	1		
27.1	15500208000028	Liquid valve	4.0		
27.2	15500213000265	Electronic expansion valve body	4.0		
28	17222000037759	Electronic control box subassembly	1		
28.1	12222000012372	Installation plate of electric parts subassembly	1.0		
28.2	17122000055773	Outdoor main control board subassembly	1.0		
28.10	12122000014342	Electronic installing box	1.0		
28.12	17122000055772	Inverter module subassembly	1.0		
28.17	12122000020943	Electronic installing box	1.0		
28.19	17401203000936	Compressor wire subassembly	1.0		
29	17222000037760	Terminal board subassembly	1		
29.1	17400401003456	Wire joint	1.0		

29.1	17400401000135	Terminal	2.0		
29.2	12222300000729	Terminal instalation subassembly	1.0		
30	15122000013597	Suction pipe assembly	1		
30.1	17400516000848	Pressure switch	1.0		
34	15422000017696	Liquid valve assembly	1		
34.1	15500208000047	Liquid valve	1.0		
35	15422000A01489	Gas valve assembly	1		
35.1	15500204000021	Gas valve	2.0		
35.1	15500204000058	Gas valve	2.0		
37	15122000029642	Radiator subassembly	1		
38	17402001000602	Crankcase electric heating strip	1		
39	17402002000466	Electric heating tube	1		
43	15422000021258	Electronic expansion valve subassembly	1		
43.1	15500213001405	Electronic expansion valve body	1.0		
44	12222000013398	Waterproof Board	1		
47	11201007000007	Pipe Temperature Sensor	1		
50	12222000007944	Rear net	1		
52	15500303002546	Pipe joint subassembly	2		
52	15500303002544	Pipe joint subassembly	2		
52	15500303002545	Pipe joint subassembly	2		
52	15500303002547	Pipe joint subassembly	2		