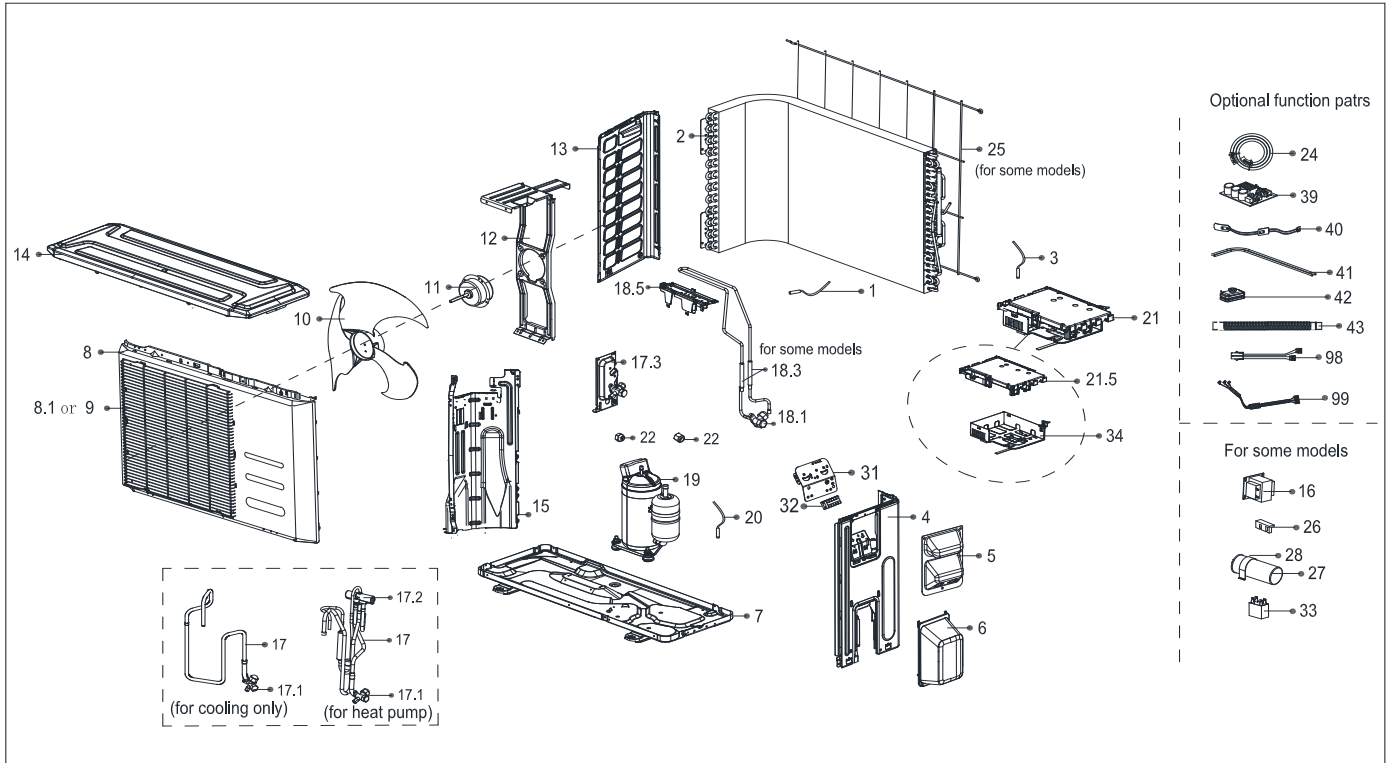


Exploded View

Model CWI18CD(O)

ComfortStar®



| EX_ID | Spare Parts Code | Part Name(EN) | Qty. | Price | Remarks |
|-------|------------------|-------------------------------------|------|-------|---------|
| 1 | 11201007000039 | Ambient temperature sensor assembly | 1.0 | | |
| 2 | 15822000007500 | Condenser assembly | 1.0 | | |
| 3 | 11201007002320 | Pipe temperature sensor assembly | 1.0 | | |
| 4 | 12222000006249 | Right clapboard assembly | 1.0 | | |
| 5 | 12222000010966 | Big handle | 1.0 | | |
| 6 | 12122000007150 | Water collector | 1.0 | | |
| 7 | 12222000004427 | Chassis assembly | 1.0 | | |
| 8 | 12222000004842 | Front panel | 1.0 | | |
| 9 | 12222000007424 | Air outlet grille | 1.0 | | |

| | | | | | |
|------|----------------|---------------------------------------|-----|--|--|
| 10 | 12100105000004 | Axial flow fan | 1.0 | | |
| 11 | 11002015008264 | Fan Motor | 1.0 | | |
| 12 | 12222000009164 | Supporter assembly of fan motor | 1.0 | | |
| 13 | 12222000006244 | Left supporter | 1.0 | | |
| 14 | 12222000016006 | Top cover assembly | 1.0 | | |
| 15 | 12222000004425 | Partition board assembly | 1.0 | | |
| 17 | 15422000004757 | 4-Ways valve assembly | 1.0 | | |
| 17.1 | 15500204000058 | Gas valve | 1.0 | | |
| 17.3 | 12222000002571 | Valve plate | 1.0 | | |
| 18 | 15422000009473 | Liquid valve assembly | 1.0 | | |
| 18.1 | 15500208000028 | Liquid valve | 1.0 | | |
| 18.5 | 12122000008879 | | 1.0 | | |
| 19 | 11103020003919 | Compressor | 1.0 | | |
| 20 | 11201007000005 | Discharge temperature sensor assembly | 1.0 | | |
| 21 | 17222000024572 | Electronic control box assembly | 1.0 | | |
| 21.5 | 12122000008999 | Electronic installing box | 1.0 | | |
| 25 | 12222000003986 | Rear net | 1.0 | | |
| 31 | 12222000002259 | Terminal board | 1.0 | | |
| 32 | 17400401000068 | Wire joint | 1.0 | | |
| 34 | 12222000003559 | Electronic installing box | 1.0 | | |
| 99 | 17401203000802 | Compressor wire assembly | 1.0 | | |