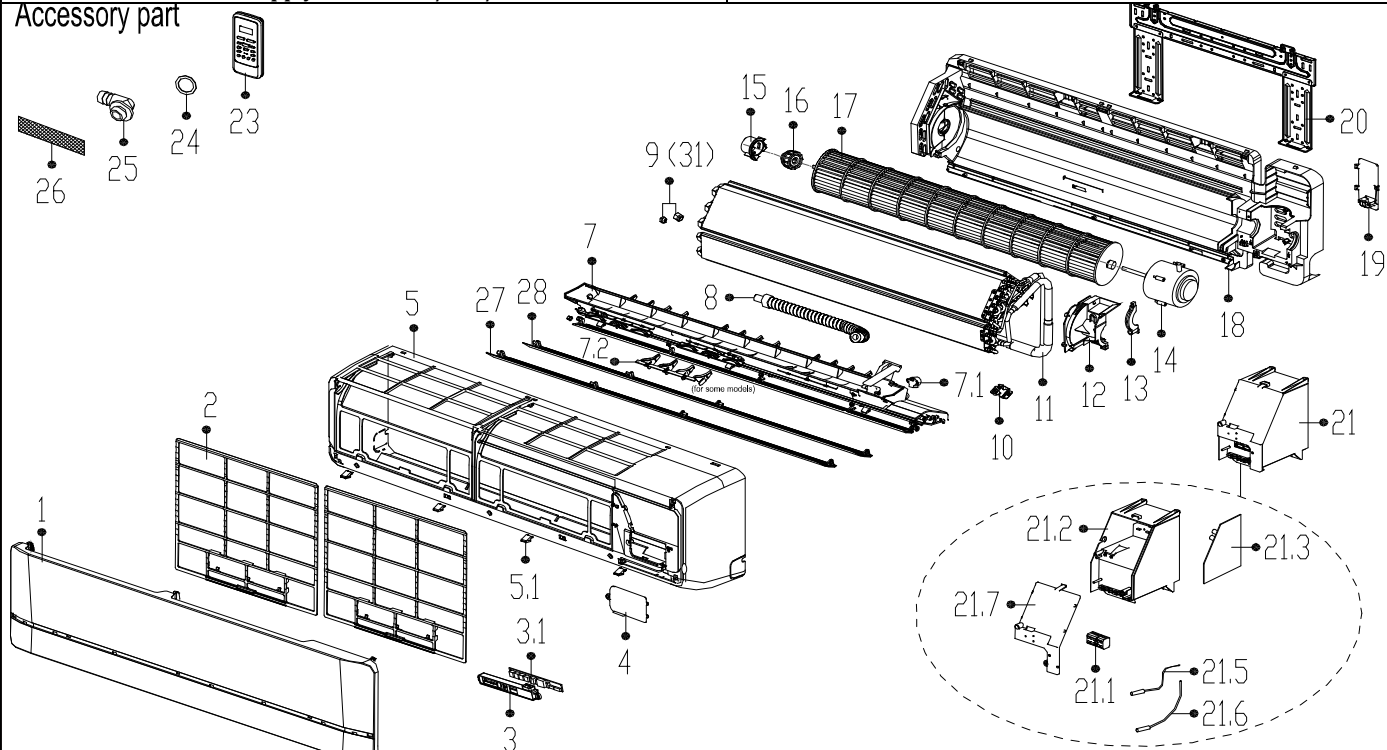


Accessory part



No.	Part Name	Quantity	PART#
1	Panel Assembly	1	12122000A67329
2	Air Filter	2	A33090992
3	Display Box Subassembly	1	17222000A55436
3.1	Display Board Subassembly	1	17122000A14189
4	Cover Of Electrical Equipment	1	A19901024
5	Panel Frame Assembly	1	A330A6099
5.1	Screw Cap	4	A19900950
7	Air Outlet Assembly	1	A33091238
7.1	Stepper Motor	1	N00200070
7.2	Horizontal Louver1	3	A32591140
8	Drain Hose1	1	A01020038
9	Copper Nut1	1	F00320003
9	Copper Nut2	1	F00320001
10	Fixed Clamp Of Temperature Sensor	1	A02000305
11	Evaporator Assembly	1	15822000A16159
12	Fan Motor Cover	1	A33090991
13	Fixing Board Of Fan Motor	1	A33090167
14	Brushless Dc Motor	1	N00300528
15	Bearing Holder	1	A19900952
16	Bearing Base	1	Q19900606
17	Cross Flow Fan	1	A00200057
18	Chassis Assembly	1	A330A6100
19	Pipe Clamp Board	1	A33090989
20	Installation Plate	1	B33090026
21	E-Box Subassembly	1	17222000028268
21.1	Terminal	1	M01400488
21.2	Electronic Control Box	1	A33190200
21.3	Main Control Board Subassembly	1	17122000044839
21.5	Room Temperature Sensor	1	N33190000
21.6	Pipe Temperature Sensor	1	M01300426
21.7	Cover Of Electronic Control Box	1	A33190184
23	Remote Controller	1	17317000A16345
24	Seal Ring	1	Q20090001
25	Drain Hose2	1	A01020011
27	Horizontal Louver2	1	A33090993
28	Horizontal Louver3	1	A33090999
42	Detection Valve	1	F01600098
45	Bracket Of Remote Controller	1	12117000002116