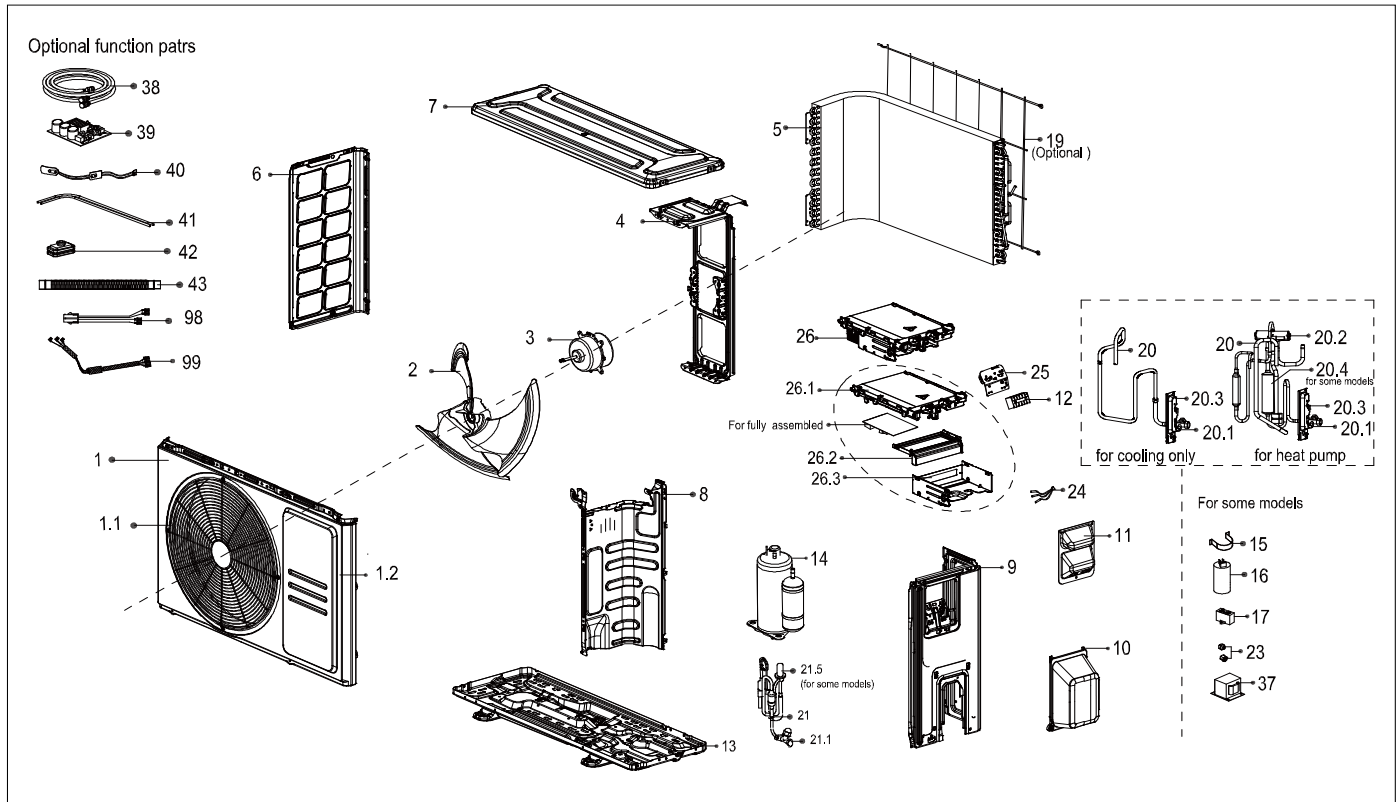


Exploded View

Model CZP09CA(O)

ComfortStar®



EX_ID	Spare Parts Code	Part Name(EN)	Qty.	Price	Remarks
1	12222000013435	Front panel assembly	1.0		
1.1	12222000013436	Air outlet grille	1.0		
1.2	12222000013745	Front panel	1.0		
2	12100105000961	axial flow fan	1.0		
3	11002015012128	Motor	1.0		
4	12222000013233	Motor bracket	1.0		
5	15822000010742	Condenser assembly	1.0		
6	12222000013238	Left supporter	1.0		
7	12222000013240	Top cover	1.0		

8	12222000013665	Partition board	1.0		
9	12222000013225	right side plate	1.0		
10	12122000007150	Water collector	1.0		
11	12222000010966	handle	1.0		
12	17400401000068	Terminal block	1.0		
13	12222000013431	Chassis assembly	1.0		
14	11103020005082	compressor	1.0		
19	12222000015606	Rear Grille	1.0		
20	15422000022216	4-ways valve or Gas valve assembly	1.0		
20.1	15500204000058	Gas valve	1.0		
20.2	15500216002143	4-way valve	1.0		
20.3	12222200005738	Valve plate	1.0		
20.4	15122000026590	Muffler assembly	1.0		
21	15422000018014	High pressure valve assembly	1.0		
21.1	15500208000028	High pressure valve	1.0		
21.5	15500213000047	Electronic expansion valve	1.0		
23	15500406000016	Copper nut	1.0		
23	15500406000012	Copper nut	1.0		
24	11201011000067	combination sensor	1.0		
25	12222000002259	Terminal board	1.0		
26	17222000039289	Electronic control box subassembly	1.0		
26.1	12122000024223	Electrical installation plate	1.0		
26.2	12122000024222	Fixing board	1.0		
26.3	12222000012106	Electronic installing box	1.0		
37	17400306001263	Reactor	1.0		
40	17402001000559	Crankcase electric heater	1.0		
41	17402002000465	Electric heater of chassis	1.0		
99	17401203012697	compressor connection cable	1.0		