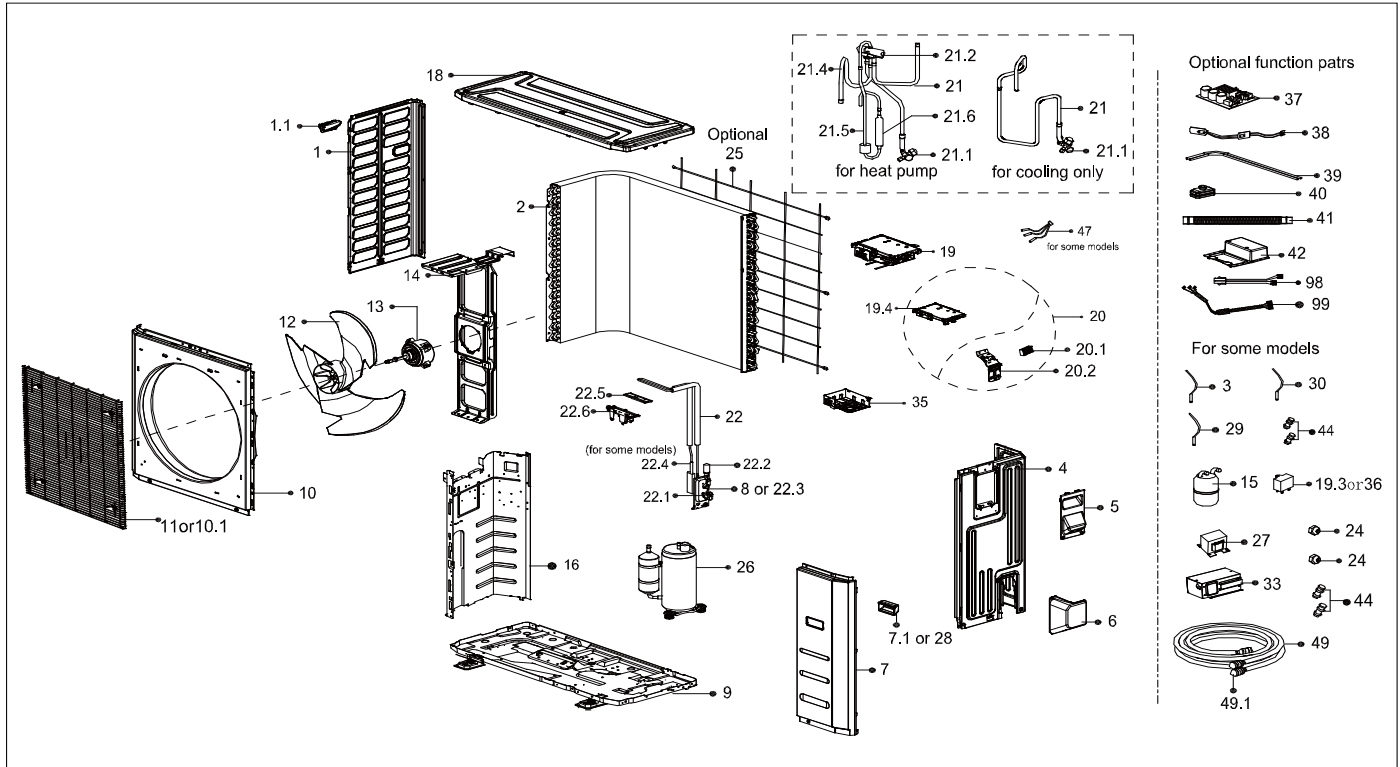


Exploded View

Model CZP24CD(O)

ComfortStar®



| EX_ID | Spare Parts Code | Part Name(EN) | Qty. | Price | Remarks |
|-------|------------------|-------------------------------------|------|-------|---------|
| 1 | 12222000006665 | Left side plate assembly of cabinet | 1 | | |
| 1.1 | 12100701000033 | Small handle | 1.0 | | |
| 2 | 15822000011928 | Condenser Assembly | 1 | | |
| 4 | 12222000006664 | Rear right clapboard assembly | 1 | | |
| 5 | 12222000011086 | Big handle assembly | 1 | | |
| 6 | 12122200002695 | Water collector | 1 | | |
| 7 | 12222500A00135 | Front right clapboard assembly | 1 | | |
| 7.1 | 12100702000038 | handle | 1.0 | | |
| 9 | 12222000004018 | Chassis assembly | 1 | | |

| | | | | | |
|------|----------------|---------------------------------------|-----|--|--|
| 10 | 12222000A01431 | Front panel | 1 | | |
| 11 | 12222000014845 | Air outlet grille | 1 | | |
| 12 | 12100105000084 | Axial flow fan | 1 | | |
| 13 | 11002015000247 | Brushless DC Motor | 1 | | |
| 14 | 12222000005162 | Supporter subassembly of fan motor | 1 | | |
| 16 | 12222000005425 | Partition board assembly | 1 | | |
| 18 | 12222500000587 | Top cover assembly | 1 | | |
| 19 | 17222000033620 | Electronic control box subassembly | 1 | | |
| 20 | 17222000028531 | Terminal board subassembly | 1 | | |
| 20.1 | 17400401000068 | Terminal | 1.0 | | |
| 20.2 | 12222000005426 | Support of electronic control box | 1.0 | | |
| 21 | 15422000018614 | 4-way valve assembly | 1 | | |
| 21.1 | 15500204000025 | Gas valve | 1.0 | | |
| 21.2 | 15500216000361 | 4-way valve | 1.0 | | |
| 21.4 | 15122000027194 | Suction pipe | 1.0 | | |
| 21.5 | 15122000025058 | Discharge pipe | 1.0 | | |
| 21.6 | 15500506000007 | Muffler | 1.0 | | |
| 22 | 15422000016252 | Liquid valve assembly | 1 | | |
| 22.1 | 15500208000286 | Liquid valve | 1.0 | | |
| 22.2 | 15500213000265 | Electronic expansion valve body | 1.0 | | |
| 22.3 | 12222200002110 | Valve plate | 1.0 | | |
| 22.4 | 15500210003128 | Throttle valve | 1.0 | | |
| 22.5 | 11203803001176 | Radiator | 1.0 | | |
| 22.6 | 12122000011478 | U-Typed Support with Copper Pipe | 1.0 | | |
| 24 | 15500406000003 | Copper nut | 1 | | |
| 24 | 15500406000010 | Copper nut | 1 | | |
| 25 | 12222000006604 | Rear net | 1 | | |
| 26 | 11103020006879 | DC Inverter rotary compressor | 1 | | |
| 35 | 12222200002695 | Electronic installing box subassembly | 1 | | |
| 38 | 17402001000601 | Crankcase electric heater | 1 | | |
| 39 | 17402002000466 | Electric heating tube | 1 | | |
| 47 | 11201011000188 | Combination sensor | 1 | | |
| 99 | 17401203000751 | Compressor wire subassembly | 1 | | |