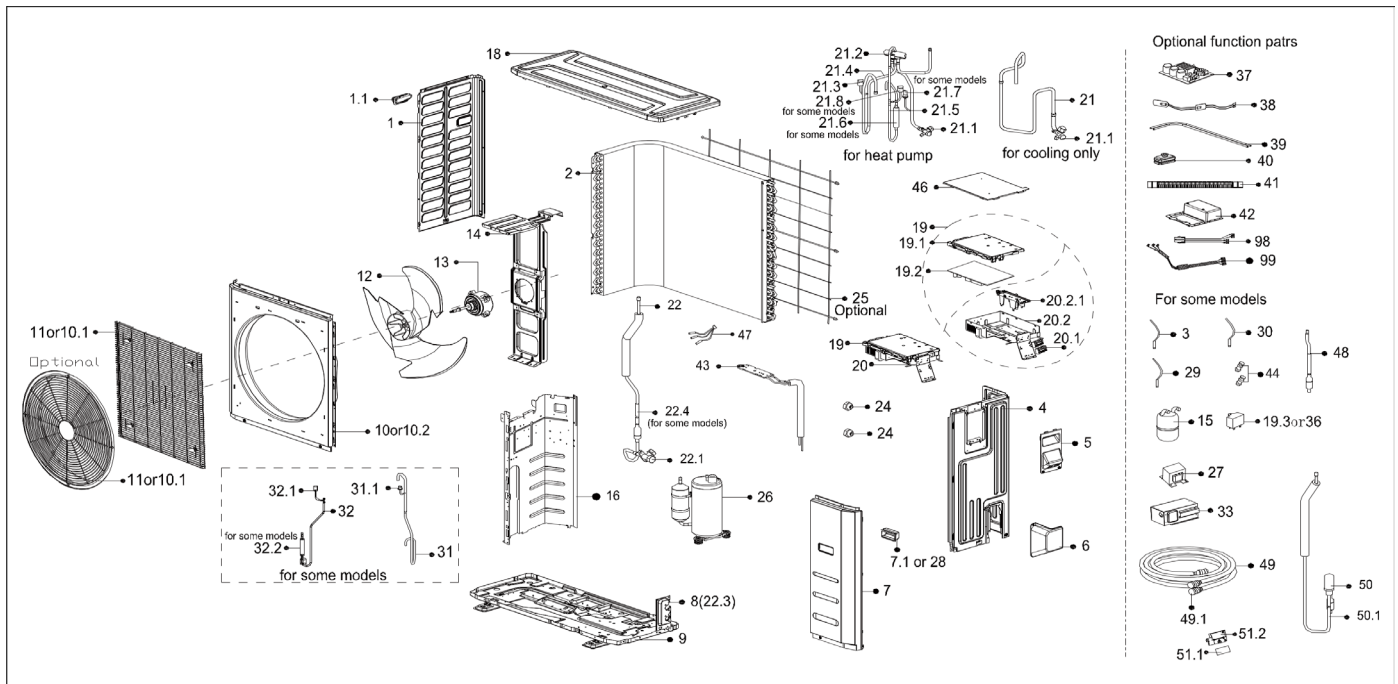


# Exploded View

Model CZP36CD(O)

ComfortStar®



EX_ID	Spare Parts Code	Part Name(EN)	Qty.	Price	Remarks
1	12222000006665	Left side plate assembly of cabinet	1		
1.1	12100701000033	Small handle	1		
2	15822000011096	Condenser assembly	1		
4	12222000006664	Rear right clapboard assembly	1		
5	12222000013365	Big handle assembly	1		
6	12122200002695	Water collector	1		
7	12222500A00135	Front right clapboard assembly	1		
7.1	12100702000038	handle	1		
9	12222000004018	Chassis assembly	1		

10	12222000A01431	Front panel1	1		
10.2	12222000016109	Front panel2	1		
11	12222000014845	Air outlet grille	1		
12	12100105000084	Axial flow fan	1		
13	11002015000247	Brushless DC Motor	1		
14	12222000005162	Supporter subassembly of fan motor	1		
15	15500508000002	Liquid-storage tank	1		
16	12222000012328	Partition board assembly	1		
18	12222500000587	Top cover assembly	1		
19	17222000037315	Electronic control box subassembly	1		
19.1	12122000025662	Cover of electronic control box1	1		
19.2	17122000055343	Outdoor main control board subassembly	1		
20	17222000031404	Terminal board subassembly	1		
20.1	17400401000075	Terminal	1		
20.2	12222000012985	Electronic installing box subassembly	1		
20.2.1	12122000024381	U-Typed Support with Copper Pipe	1		
21	15422500000236	4-way valve assembly	1		
21.1	15500204000025	Gas valve	1		
21.2	15500216000681	4-way valve	1		
21.4	15123000008207	Suction pipe	1		
21.5	15123000003661	Discharge pipe	1		
22	15422000017857	Liquid valve assembly	1		
22.1	15500208000286	Liquid valve	1		
22.3	12222200002110	Valve plate	1		
22.4	15500210003229	Throttling valve	1		
24	15500406000003	Copper nut1	1		
24	15500406000010	Copper nut2	1		
25	12222000006604	Rear net	1		
26	11103020000719	DC Inverter Rotary Compressor	1		
31	15122500001076	Suction pipe assembly	1		
31.1	17400516000848	Pressure switch1	1		
32	15122000028897	Discharge pipe assembly	1		
32.1	17400516000849	Pressure switch2	1		
38	17402001000601	Crankcase electric heater	1		

39	17402002000466	Electric heating tube	1		
43	15122000028848	Radiator subassembly	1		
46	12122000016029	Cover of electronic control box2	1		
47	11201011000188	Combination sensor	1		
50	15422000017858	Electronic expansion valve subassembly	1		
50.1	15500213000265	Electronic expansion valve body	1		
51	17222000037316	Key board box subassembly	1		
51.1	17122000055345	Key board subassembly	1		
51.2	12122000025661	DR Installing Foundation	1		
99	17401203000939	Compressor wire subassembly	1		