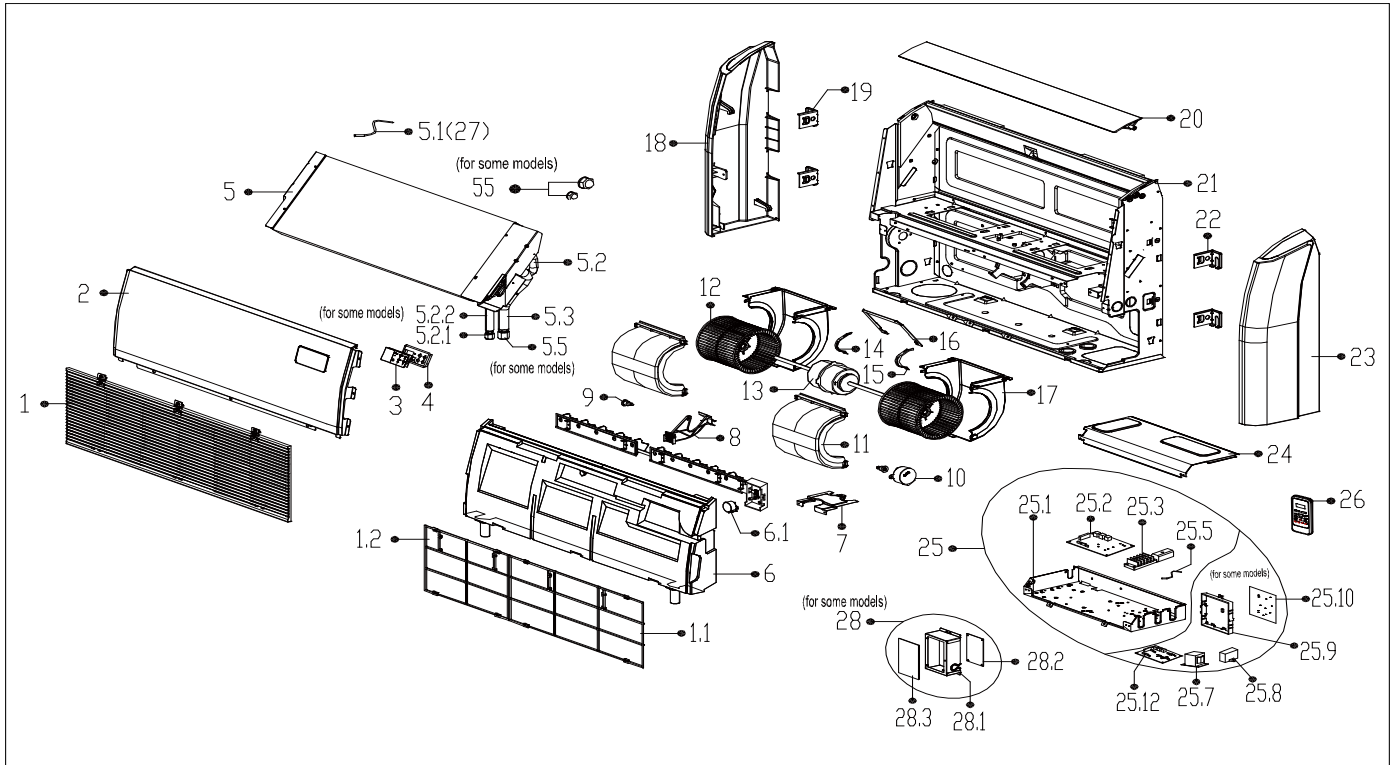


Exploded View

Model

FPA-18

ComfortStar®



EX_ID	Spare Parts Code	Part Name(EN)	Qty.	Price	Remarks
1	12122700000100	Air inlet grille assembly I	1.0		
1.1	12100204000718	Air filter I	1.0		
1.2	12100204000719	Air filter II	1.0		
2	12222700000096	Top cover assembly	1.0		
3	17122700000005	Display board assembly	1.0		
4	12122700000044	Display installation box	1.0		
5	15822700001546	Evaporator assembly	1.0		
5.1	11201007000047	Pipe temperature sensor assembly	1.0		
5.2	15122700001680	Input pipe assembly	1.0		

5.3	15122700000202	Output pipe assembly	1.0		
6	12822700000010	Water collector	1.0		
6.1	11002010000546	Louver motor (vertical)	1.0		
7	12222700000054	Pipe clamp board	1.0		
8	12122700000150	Supporter of louver	1.0		
9	12122000000344	Insulated axis	2.0		
10	11002010000057	Louver motor	1.0		
11	12122700000756	Volute shell (above)	2.0		
12	12100103000165	Centrifugal fan	2.0		
13	11002015000344	Asynchronous motor	1.0		
14	12222500000255	Fan motor axes clamp (right)	1.0		
15	12222500000253	Fan motor axes clamp (left)	1.0		
16	12223000000537	Fan motor fixing board	1.0		
17	12122700000755	Volute shell (below)	2.0		
18	12122700000093	Right cover	1.0		
19	12222700000018	Right hook	2.0		
20	12122700000716	Louver	1.0		
21	12222700000229	Chassis assembly	1.0		
22	12222700000016	Left hook	2.0		
23	12122700000087	Left cover	1.0		
24	12222700000058	Cover of electronic control box	1.0		
25	17222700A01774	Electronic control box assembly	1.0		
25.2	17122700A01452	Main control board assembly	1.0		
25.3	17400401000285	Wire joint	1.0		
25.3	17400401000075	Wire joint	1.0		
25.5	11201007000073	Ambient temperature sensor assembly	1.0		
25.7	17400306000070	Reactance	1.0		
25.12	17122000019028	Filter board subassembly	1.0		
26	17317000008138	Remote controller	1.0		
28	17222700000159	Electronic control box assembly	1.0		
28.2	17122000008562	Inverter control board assembly	1.0		
28.3	11203803000154	Radiator	1.0		
43	12011600A00310	Accessory kit	1.0		
55	15500406000016	Copper nut	1.0		

55	15500406000012	Copper nut	1.0		
----	----------------	------------	-----	--	--