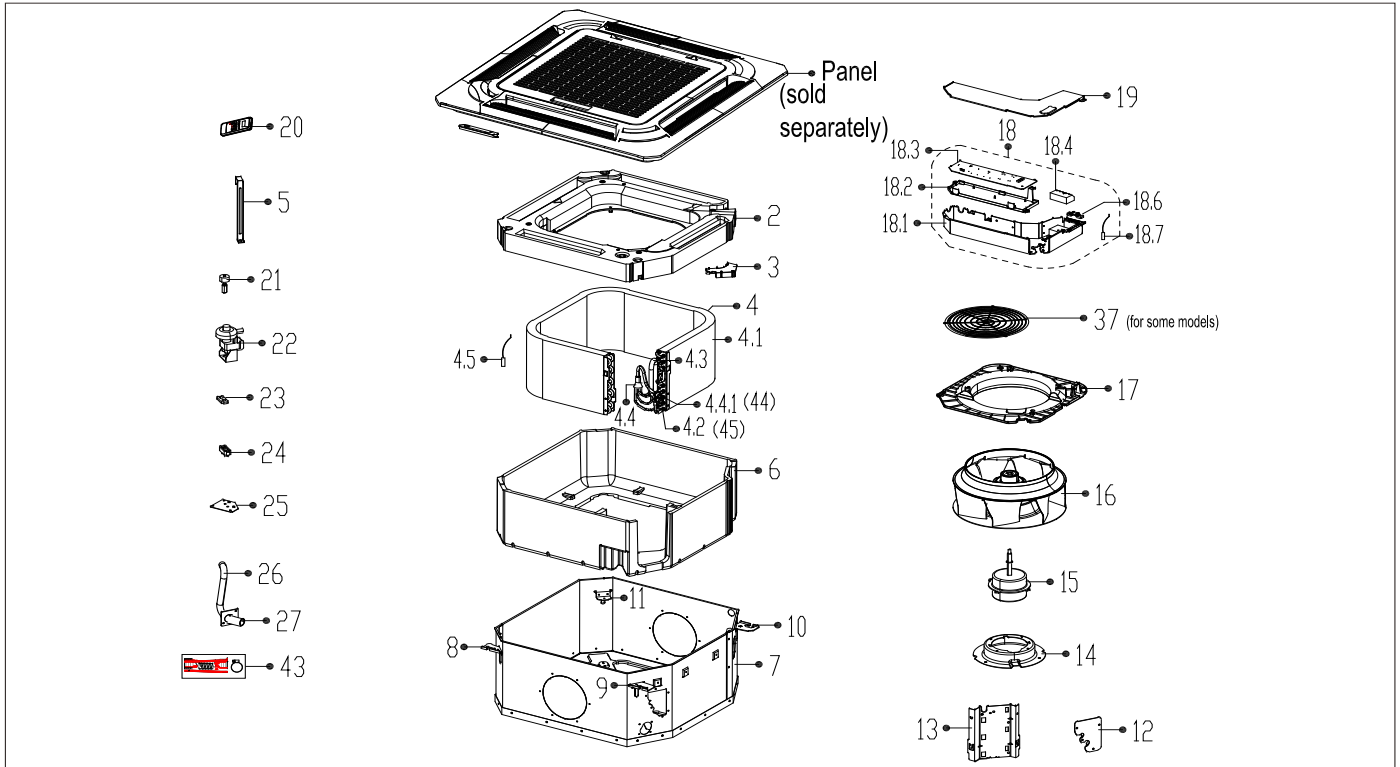


# Exploded View

Model

TPA-18

ComfortStar®



| EX_ID | Spare Parts Code | Part Name(EN)                      | Qty. | Price | Remarks |
|-------|------------------|------------------------------------|------|-------|---------|
| 2     | 12822500000017   | Water collector assembly           | 1    |       |         |
| 3     | 12122500000022   | Wire box                           | 1    |       |         |
| 4     | 15822500001723   | Evaporator assembly                | 1    |       |         |
| 4.1   | 15822500001602   | Evaporator                         | 1.0  |       |         |
| 4.2   | 15122500002900   | Evaporator inlet pipe subassembly  | 1    |       |         |
| 4.3   | 15122500000226   | Evaporator outlet pipe subassembly | 1.0  |       |         |
| 4.4   | 15122500002900   | Evaporator inlet pipe subassembly  | 1.0  |       |         |
| 4.5   | 11201007002320   | Pipe temperature sensor            | 1.0  |       |         |
| 5     | 12222500000093   | Evaporator fixing hanger           | 1    |       |         |

|      |                |  |     |  |  |
|------|----------------|--|-----|--|--|
| 6    | 12822500000005 | Base foam subassembly                    | 1   |  |  |
| 7    | 12222500000224 | Chassis assembly                         | 1   |  |  |
| 8    | 12222500000191 | Hook                                     | 1   |  |  |
| 9    | 12222500000192 | Hook                                     | 1   |  |  |
| 10   | 12222500000190 | Hook                                     | 1   |  |  |
| 11   | 12222500000193 | Hook                                     | 1   |  |  |
| 12   | 12122500000330 | Pipe fixing board subassembly            | 1   |  |  |
| 13   | 12222500000197 | Evaporator connecting board              | 1   |  |  |
| 14   | 12222500000199 | Fan motor base                           | 1   |  |  |
| 15   | 11002015000069 | Brushless DC Motor                       | 1   |  |  |
| 16   | 12100103000089 | centrifuge fan                           | 1   |  |  |
| 17   | 12122500000425 | Ventilation ring                         | 1   |  |  |
| 18   | 17222500A02199 | Electronic control box subassembly       | 1   |  |  |
| 18.1 | 12222500000165 | Electronic control box                   | 1.0 |  |  |
| 18.2 | 12122500000029 | Insulation plate                         | 1.0 |  |  |
| 18.3 | 17122500A01727 | Main control board subassembly           | 1.0 |  |  |
| 18.4 | 17400401000075 | Terminal                                 | 1.0 |  |  |
| 18.6 | 12200202000004 | Wire clamp                               | 1.0 |  |  |
| 18.7 | 11201007000283 | Room Temperature Sensor                  | 1.0 |  |  |
| 19   | 12222500000209 | Electrical Control Box Cover Subassembly | 1   |  |  |
| 20   | 17317000A16345 | Remote controller                        | 1   |  |  |
| 21   | 17400511000015 | Water level sensor                       | 1   |  |  |
| 22   | 11001010000063 | Induction Pump                           | 1   |  |  |
| 23   | 12622500000005 | Drain pump rubber washer                 | 1   |  |  |
| 24   | 12622500000003 | Drain pump rubber washer                 | 1   |  |  |
| 25   | 12222500000352 | Drain pump installation base             | 1   |  |  |
| 26   | 12622500000012 | Rubber tube                              | 1   |  |  |
| 27   | 12100510000019 | Drain pipe                               | 1   |  |  |
| 38   | 12122000A78115 | Bracket of remote Controller             | 1   |  |  |
| 43   | 12011600A00310 | Accessory kit                            | 1   |  |  |
| 44   | 15500406000016 | Copper nut                               | 1   |  |  |
| 45   | 15500406000012 | Copper nut                               | 1   |  |  |