



Submittal

Split System Cooling

AHU30-M

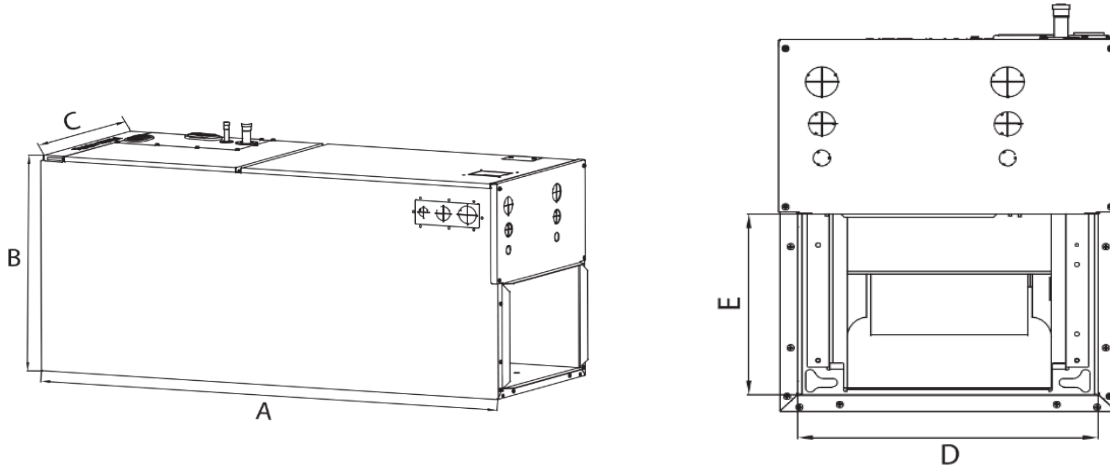
Location: _____
Engineer: _____
Submitted to: _____
Submitted by: _____
Reference: _____

Approval: _____
Date: _____
Construction: _____
Unit # : _____
Drawing # : _____



Note:" *Graphics in this document are for representation only. Actual model may differ in appearance.*"

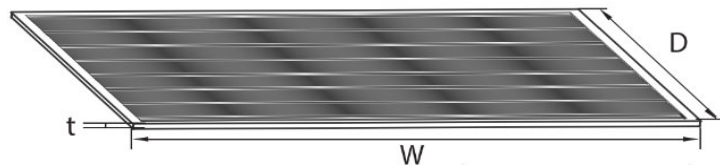
Indoor unit installation size



(unit:mm/inch)

Dimensions		Model	12K ~ 24K	30K ~ 48K
		Length of A	mm	1143
		inch	45	49
Length of B	mm	533	533	
	inch	21	21	
Length of C	mm	445	533	
	inch	17-1/2	21	
Length of D	mm	400	490	
	inch	15-3/4	19-5/16	
Length of E	mm	260	260	
	inch	10-1/4	10-1/4	

Recommended size of filter



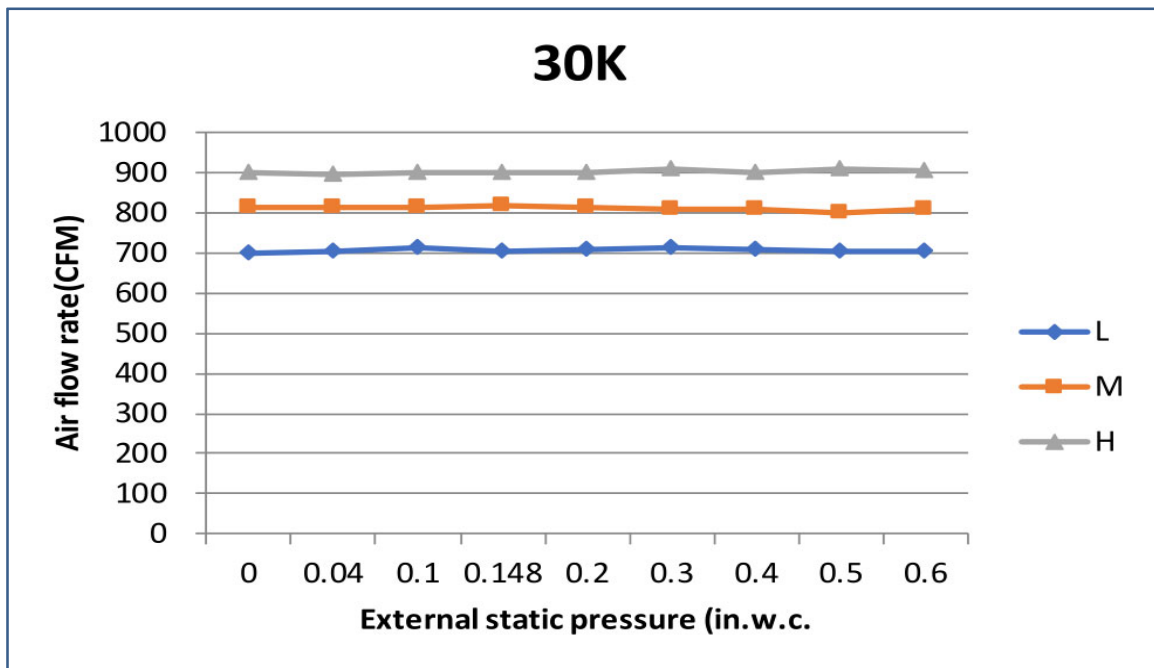
(unit:mm/inch)

			Model (Btu/h)	
			12K ~24K	30K~36K
Recommended size of filter	W	mm	406.4	495.3
		inch	16	19-1/2
	D	mm	508	508
		inch	20	20
	t	mm	25.4	25.4
		inch	1	1

Specification

Power supply		V- Ph-Hz	208/230V,1Ph, 60Hz
Cooling	Capacity (range)	Btu/hr	30000(9400~33000)
Heating	Capacity (range)	Btu/hr	31000(12200~32000)
MINIMUM CIRCUIT AMPACITY		A	4.5
MAX.FUSE		A	15
Indoor air flow (Hi/Mi/Lo)		CFM	894.12/805.88/711.76
Indoor noise level (Hi/Mi/Lo)		dB(A)	43/40/30.5
Indoor unit	Dimension (W*D*H)(body)	mm	534*534*1245
		inch	21.*21*49
	Packing (W*D*H)(body)	mm	640x620x1380
		inch	25.20x24.41x54.33
	Net/Gross weight (body)	kg	58.6/70.6
		lb	129.2/155.6
Design pressure		PSIG	550/340
Indoor fan motor	Model		ZKFD-375-8-1
	RLA	A	3.5
Thermostat type			Wire Control
Temperature	Cooling / Heating	°C	17~32/0~30
		°F	62~90/32~86

Fan performance



ComfortStar®

12201 N W 107th Avenue
Miami, FL 33178
1.866.524.9898 Toll Free
305.500.9898 Office
305.500.9896 Fax
<http://www.comfortstarusa.com>



The AHRI mark indicates Comfortstar participating in the AHRI Certification program. Visit ahridirectory.org for verification of individual certified products. Comfortstar reserves the right to change design and specs without notice. Comfortstar has a policy of update the data continuously. We are committed to using environmentally conscious print practices.

AHU30-M 22 Jun 2022
Supersedes AHU30-M (Sept.2021)

© 2022 ComfortStar