



# Submittal

## Split System Cooling

AHU36-M

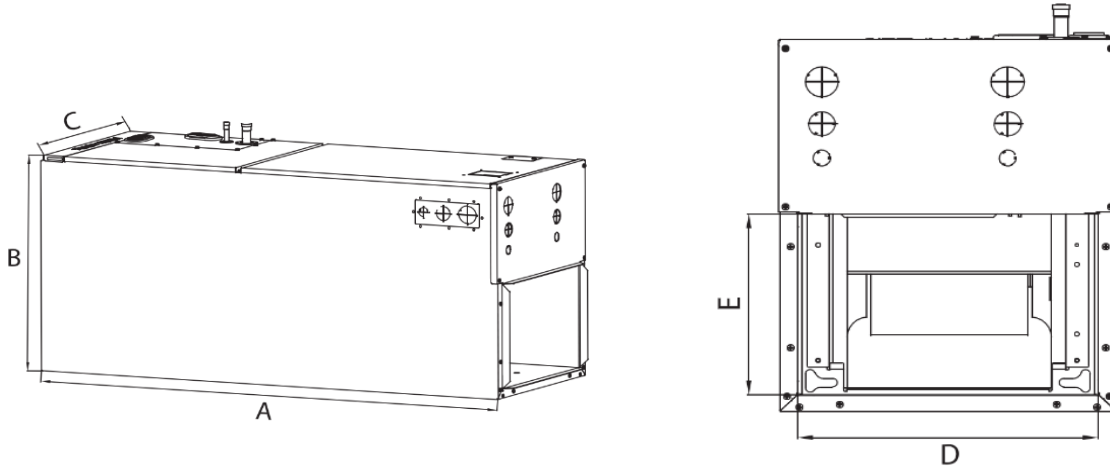
Location: \_\_\_\_\_  
Engineer: \_\_\_\_\_  
Submitted to: \_\_\_\_\_  
Submitted by: \_\_\_\_\_  
Reference: \_\_\_\_\_

Approval: \_\_\_\_\_  
Date: \_\_\_\_\_  
Construction: \_\_\_\_\_  
Unit # : \_\_\_\_\_  
Drawing # : \_\_\_\_\_



Note:" *Graphics in this document are for representation only. Actual model may differ in appearance.*"

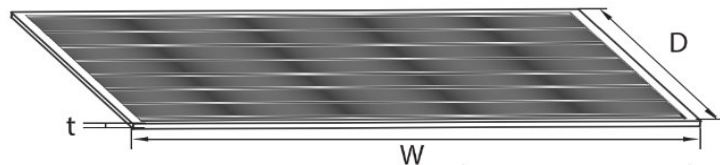
## Indoor unit installation size



(unit:mm/inch)

Dimensions		Model	12K ~ 24K	30K ~ 48K
Length of A	mm		1143	1245
	inch		45	49
Length of B	mm		533	533
	inch		21	21
Length of C	mm		445	533
	inch		17-1/2	21
Length of D	mm		400	490
	inch		15-3/4	19-5/16
Length of E	mm		260	260
	inch		10-1/4	10-1/4

## Recommended size of filter



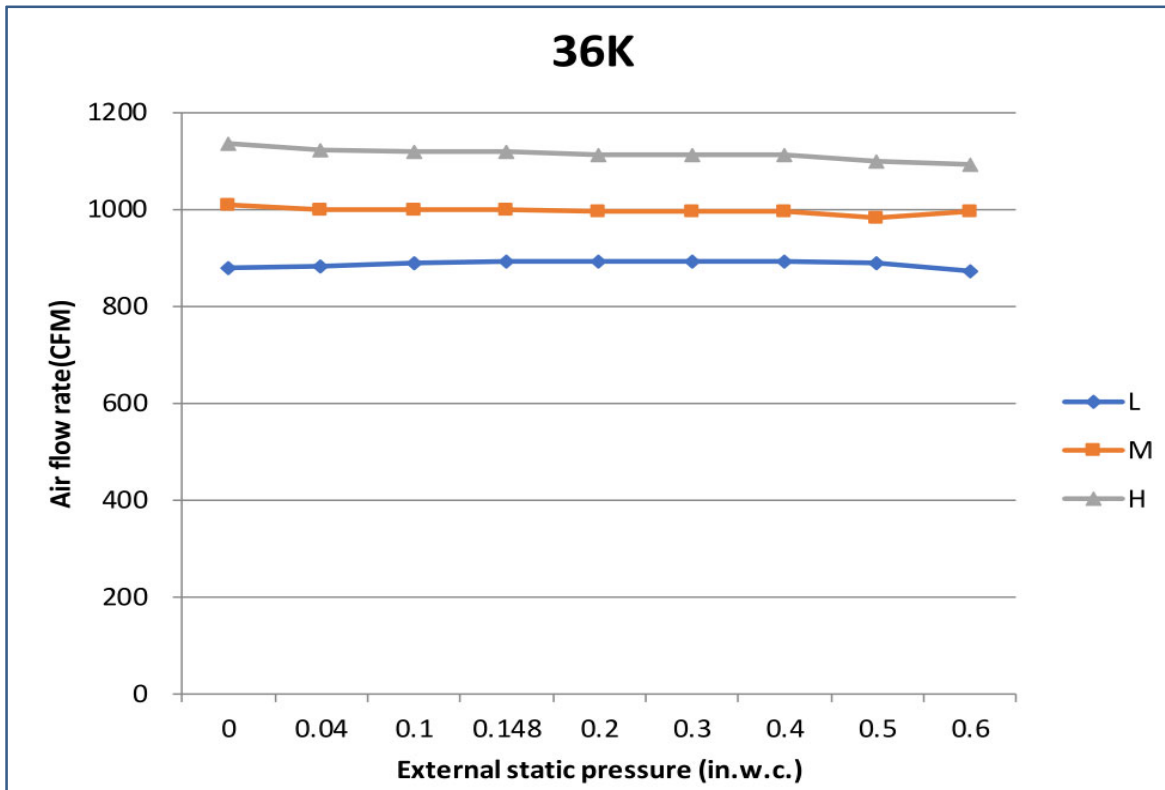
(unit:mm/inch)

			Model (Btu/h)	
			12K ~24K	30K~36K
Recommended size of filter	W	mm	406.4	495.3
		inch	16	19-1/2
	D	mm	508	508
		inch	20	20
	t	mm	25.4	25.4
		inch	1	1

## Specification

<b>Power supply</b>		V- Ph-Hz	208/230V,1Ph, 60Hz
<b>Cooling</b>	Capacity (range)	Btu/hr	36000(7600~38800)
<b>Heating</b>	Capacity (range)	Btu/hr	36000(6000~36400)
<b>MINIMUM CIRCUIT AMPACITY</b>		A	4.5
<b>MAX.FUSE</b>		A	15
<b>Indoor air flow (Hi/Mi/Lo)</b>		CFM	1082.35/970.59/864.71
<b>Indoor noise level (Hi/Mi/Lo)</b>		dB(A)	46.8/44/41.3
<b>Indoor unit</b>	Dimension (W*D*H)(body)	mm	534*534*1245
		inch	21.*21*49
	Packing (W*D*H)(body)	mm	640x620x1380
		inch	25.20x24.41x54.33
	Net/Gross weight (body)	kg	58.6/70.6
		lb	129.2/155.6
<b>Design pressure</b>		PSIG	550/340
<b>Indoor fan motor</b>	Model		ZKFD-375-8-1
	RLA	A	3.5
<b>Thermostat type</b>			Wire Control
<b>Temperature</b>	Cooling / Heating	°C	17~32/0~30
		°F	62~90/32~86

## Fan performance



# ComfortStar®

12201 N W 107th Avenue  
Miami, FL 33178  
1.866.524.9898 Toll Free  
305.500.9898 Office  
305.500.9896 Fax  
<http://www.comfortstarusa.com>

---



The AHRI mark indicates Comfortstar participating in the AHRI Certification program. Visit [ahridirectory.org](http://ahridirectory.org) for verification of individual certified products. Comfortstar reserves the right to change design and specs without notice. Comfortstar has a policy of update the data continuously. We are committed to using environmentally conscious print practices.

AHU36-M 22 Jun 2022  
Supersedes AHU36-M (Sept.2021)

© 2022 ComfortStar