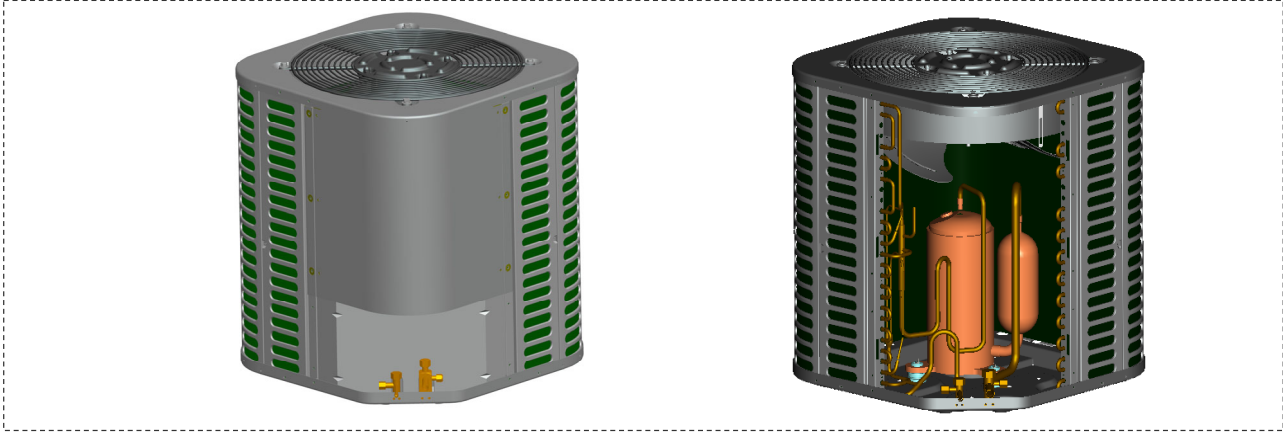
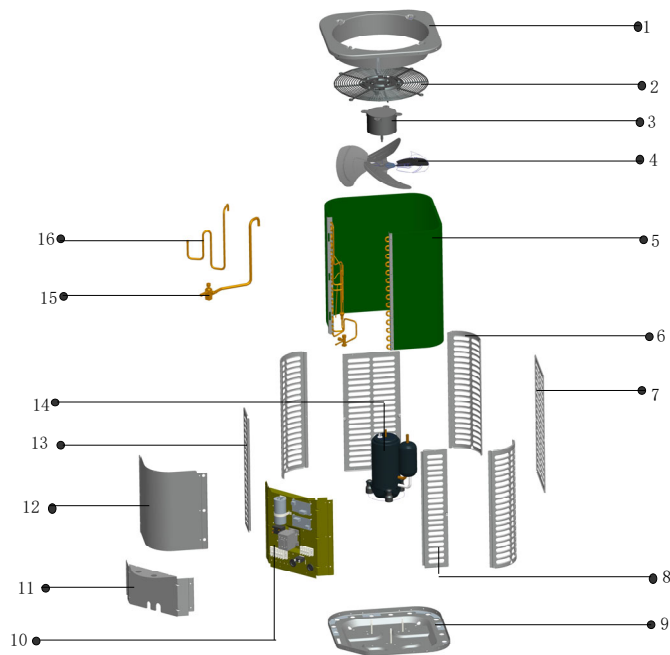


Model: BAR18-14
Power supply: 208/230V_1Ph_60HZ

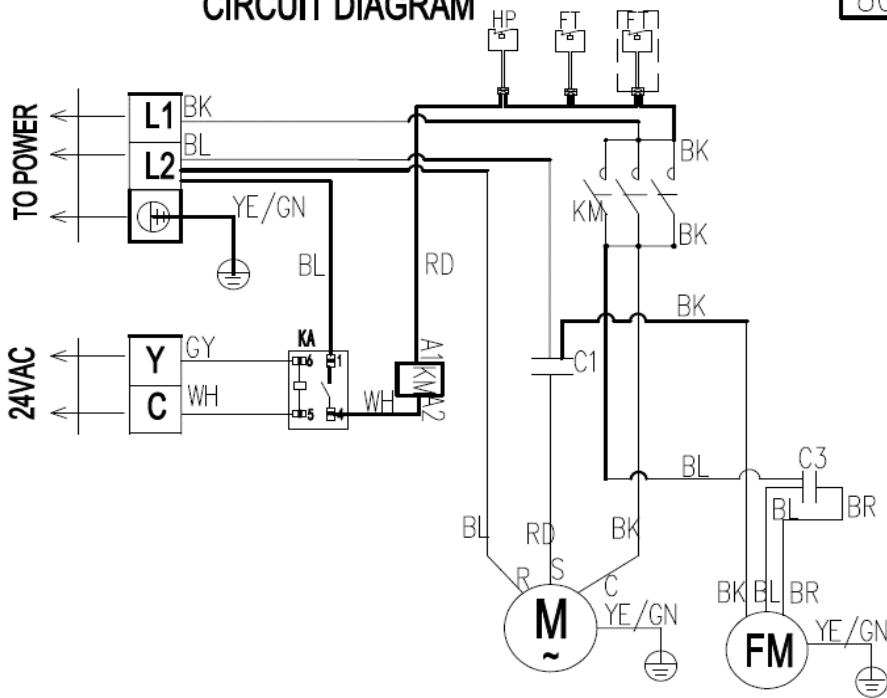
ComfortStar®





CIRCUIT DIAGRAM

80203289009 V.2



WIRE COLOR CODE		NOTES	COMPONENT CODE
RD RED	OR ORANGE		
BK BLACK	GY GREY	YE YELLOW	C CAPACITOR
BL BLUE	GN GREEN	BR BROWN	M COMPRESSOR
PR PURPLE			TB TERMINAL BLOCK
WIRE INFORMATION			FM FAN MOTOR
- - - - - FACTORY CONNECTION			HP HIGH PRESSURE SWITCH
- - - - - PROJECT CONNECTION			FT EXHAUST SWITCH
- - - - - PRACTICALITY EXTERIOR			
- - - - - DASHED CIRCLE			

No.	Part Name	Quantity	Sale code	BOM code	Remark
1	Top cover assembly	1		801224290022	
2	Top net cover	1		802924290002	

3	Indoor motor	1		802400400730		
4	Propeller fan	1		802919900009		
5	Condenser component	1		801532490023		
5.1	Condenser assembly	1		801532490024		
5.2	Inlet pipe for condenser	1		801632490113		
5.3	Outlet pipe for condenser	1		801632490118		
5.4	Weld assembly for high temperture va	1		801623690066		
5.4.1	Block valve body	1		801600900069		
6	Supporting board	3		801224290030		
7	Rear separating board	2		801224290024		
8	Right separating board	1		801224290028		
9	Chassis assembly	1		801223290006		
10	E-part component	1		803332890022		
10.1	Weld assembly for e-part mounting pl	1		801225490097		
10.2	Waterproof box for e-part	2		801225490020		
10.3	Terminal	1		802425000001		
10.4	Contacto	1		802300100194		
10.5	Compressor capacitor	1		802401000047		
10.6	Fan capacitor	1		802401100044		
11	Botton separating board	1		801224290026		
12	Upper separating board	1		801225490041		
13	Left separating board	1		801224290034		
14	Compressor	1		801401100049		ASL145DG-C7EU
15	Low pressure valves welding compon	1		801632490121		
15.1	Block valve body	1		801600900072		
16	Discharge pipe	1		801632490125		