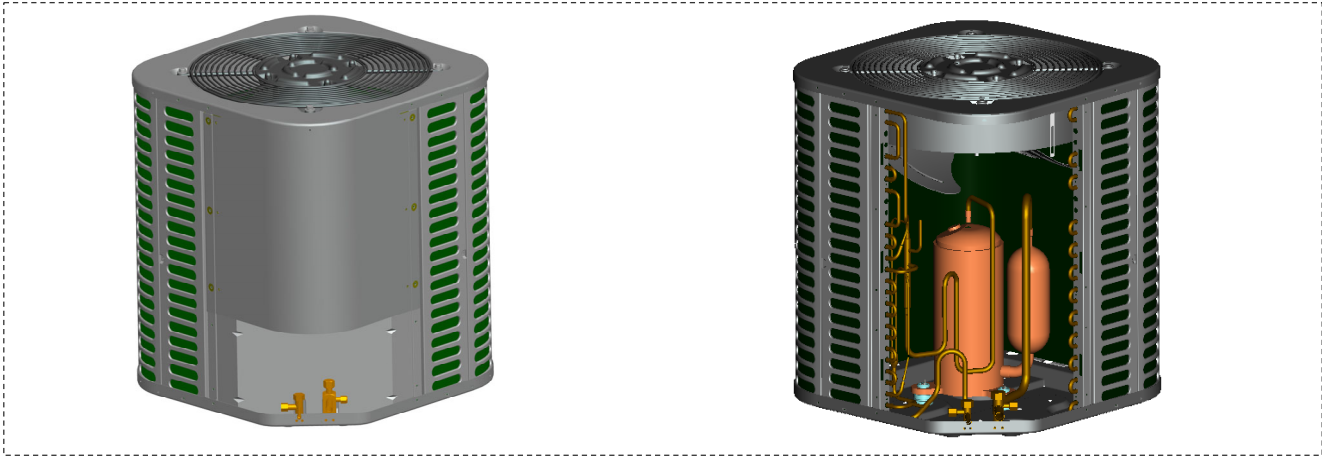
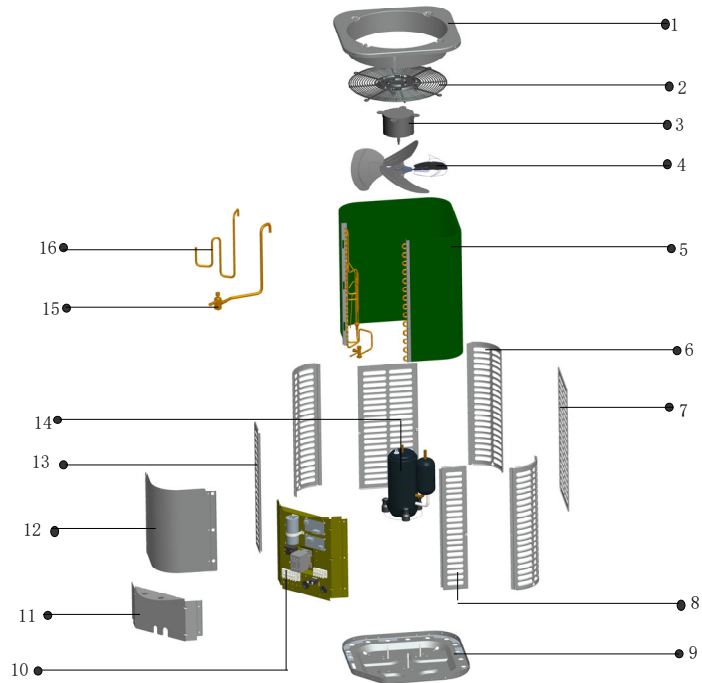


Mode BAR24-14

Powe208/230V_1Ph_60HZ

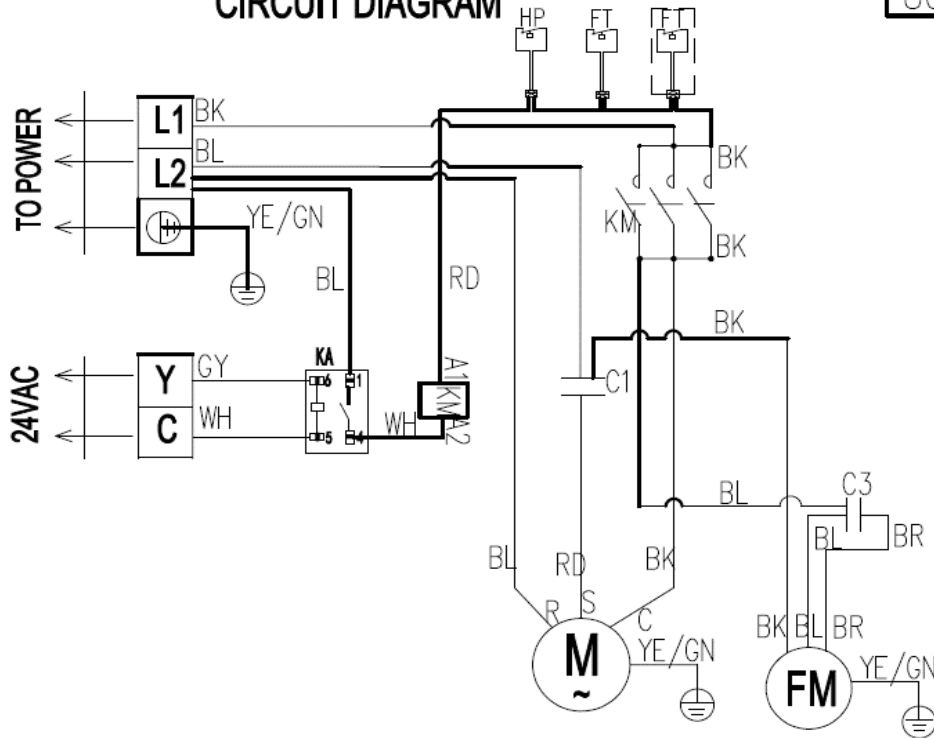
ComfortStar®





CIRCUIT DIAGRAM

80203289009 V.2



WIRE COLOR CODE		
RD RED	OR ORANGE	WH WHITE
BK BLACK	GY GREY	YE YELLOW
BL BLUE	GN GREEN	BR BROWN
PR PURPLE		
WIRE INFORMATION		
————	FACTORY CONNECTION	
.....	PROJECT CONNECTION	
-----	PRACTICALITY EXTERIOR	
- - - - -	DASHED CIRCLE	

- NOTES**
1. The units should use the unattached power switch, stated-cross-section wires and matching-spec. breaker.
 2. Use the fuse within the specified scope, it can not replaced by iron wires or brass wires.
 3. The units should install the stated-cross-section earth wire and keep it grounding unfaillingly.
 4. Low-voltage switch wiring according to the actual situation.

COMPONENT CODE
KM CONTACTOR
C CAPACITOR
M COMPRESSOR
TB TERMINAL BLOCK
FM FAN MOTOR
HP HIGH PRESSURE SWITCH
FT EXHAUST SWITCH

No.	Part Name	Quantity	Sale code	BOM code	Remark
1	Top cover assembly	1		801224290022	
2	Top net cover	1		802924290002	
3	Indoor motor	1		802400400731	
4	Propeller fan	1		802919900009	
5	Condenser component	1		801524290044	
5.1	Condenser assembly	1		801524290045	
5.2	Inlet pipe for condenser	1		801624290227	
5.3	Outlet pipe for condenser	1		801633490187	
5.3.1	Block valve body	1		801600900069	
6	Supporting board	3		801224290030	
7	Rear separating board	2		801224290024	
8	Right separating board	1		801224290028	
9	Chassis assembly	1		801223290006	
10	E-part component	1		803332890022	
10.1	Weld assembly for e-part mounting pl	1		801225490097	
10.2	Waterproof box for e-part	2		801225490020	
10.3	Terminal	1		802425000001	
10.4	Contactora	1		802300100194	
10.5	Compressor capacitor	1		802401000047	
10.6	Fan capacitor	1		802401100044	
11	Botton separating board	1		801224290026	
12	Upper separating board	1		801225490041	
13	Left separating board	1		801224290034	
14	Compressor	1		801401200002	ASH201DG-C8LU1L
15	Low pressure valves welding compon	1		801632890105	
15.1	Block valve body	1		801600900072	
16	Discharge pipe	1		801632490125	