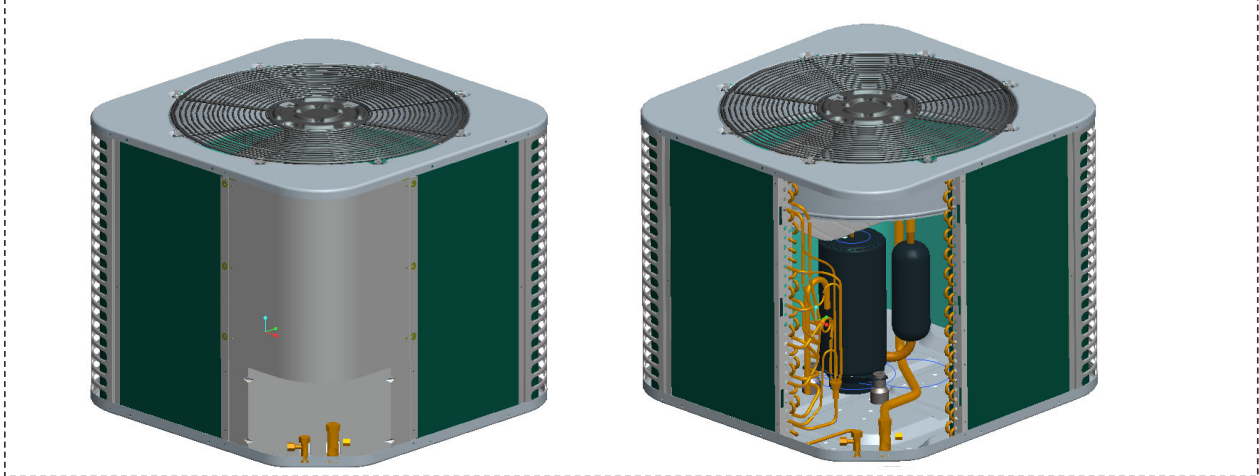
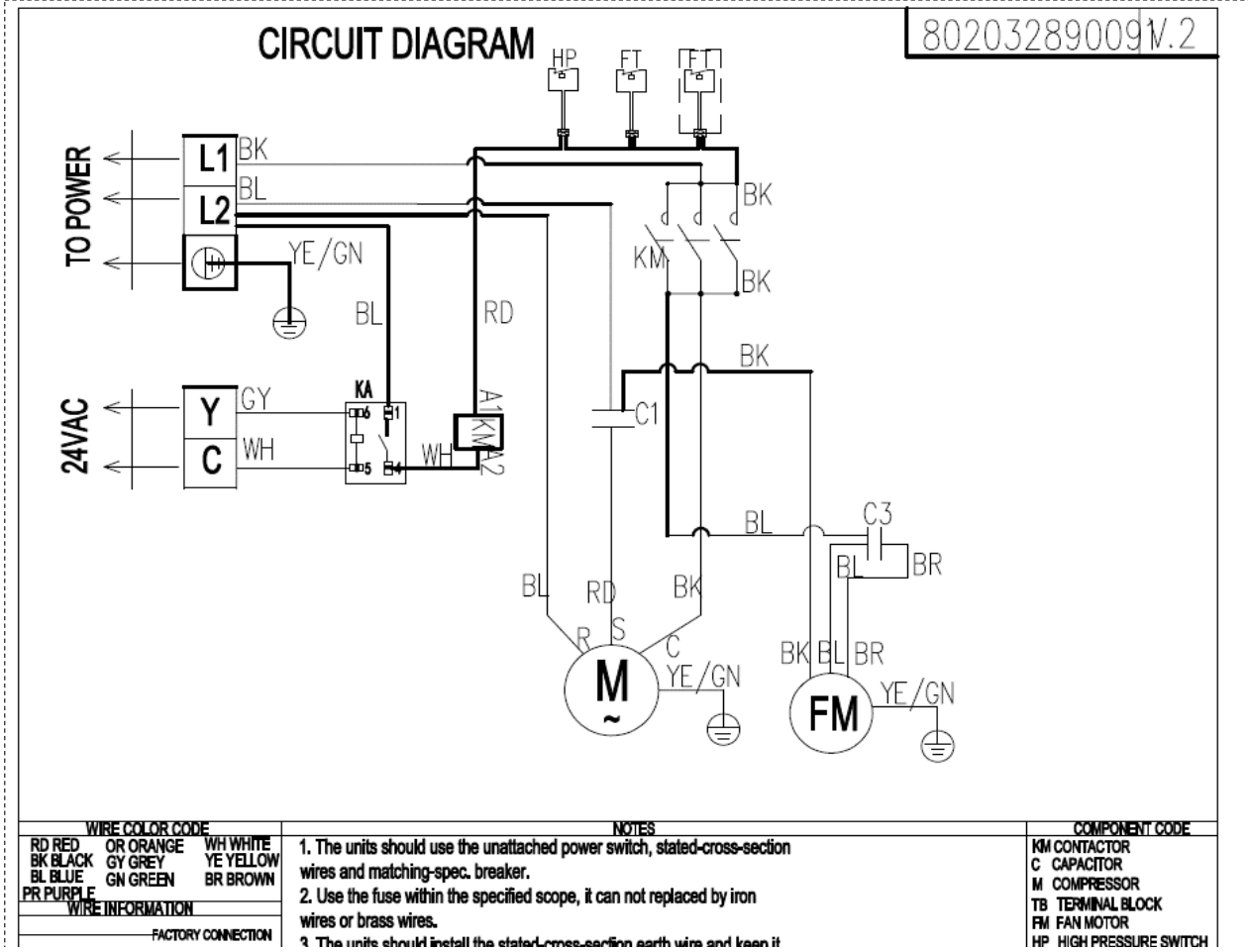
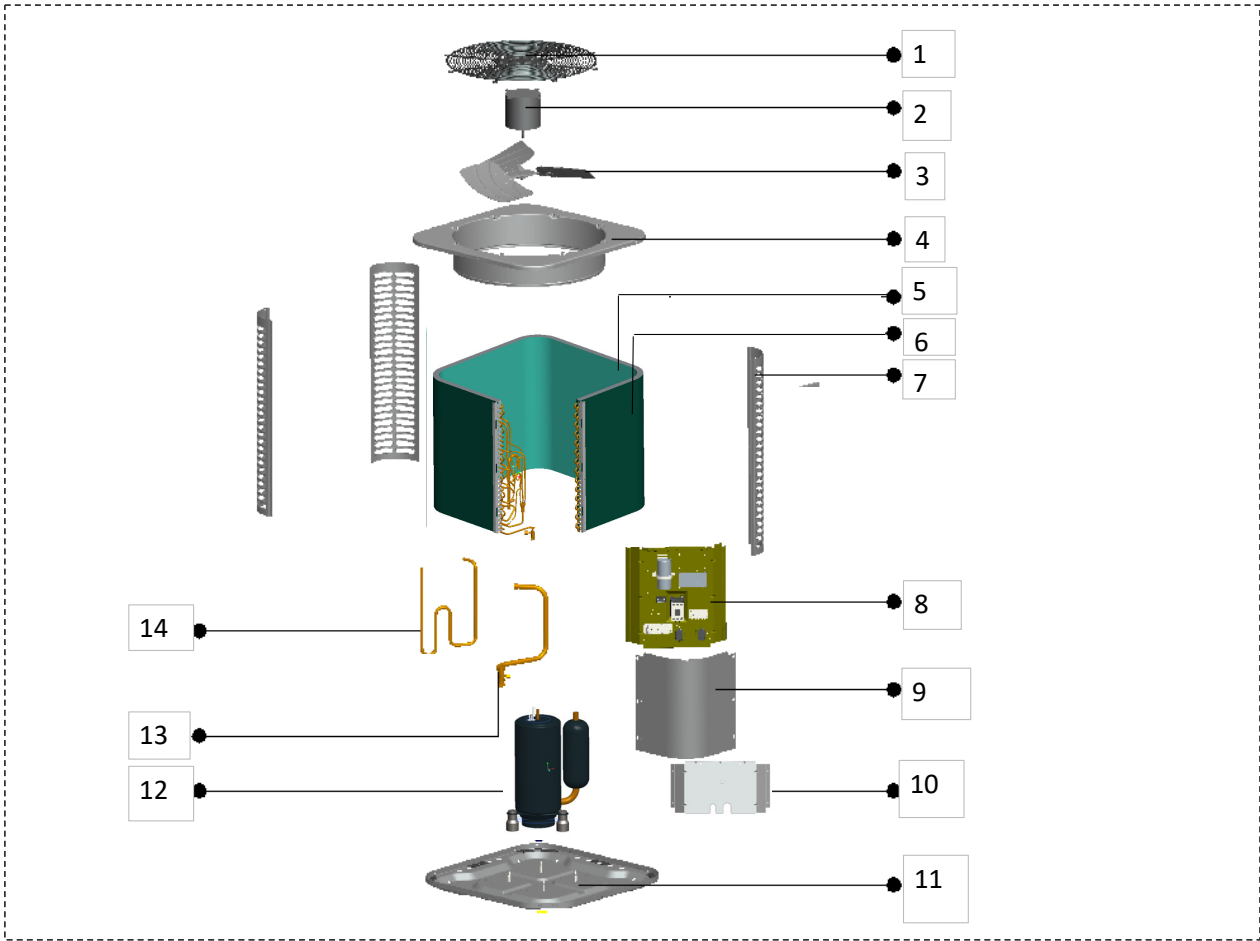


Model: BAR36-14
Power 208/230V_1Ph_60HZ

ComfortStar[®]





PROJECT CONNECTION
 PRACTICALITY EXTERIOR
 DASHED CIRCLE

At the time of work, install the exhaust pipe according to the actual situation and keep it grounding unfailingly.
 4.Low-voltage switch wiring according to the actual situation.

FT EXHAUST SWITCH

No.	Part Name	Quantity	Sale code	BOM code	Remark
1	Cover net	1		802925490001	
2	Outdoor motor	1		802400400729	
3	Axial-flow fan	1		802925490002	
4	Top cover assembly	1		801225490037	
5	Condenser assembly	1		801524290052	
5.1	Condenser	1		801524290051	
5.1.1	Condenser left-side board	1		801233490065	
5.1.2	Condenser right-side board	1		801224290035	
5.2	Condenser input pipe assembly	1		801624290275	
5.3	Condenser output pipe assembly	1		801624290244	
5.3.1	High-pressure valves weld assembly	1		801625490074	
5.3.1.1	High-pressure valves connecting pipe	1		801625490076	
5.3.1.2	Block valve body (A02)	1		801600900069	
6	Protection grill	1		801124290003	
7	Support board	3		801224290030	
8	Electronic components	1		803328890028	
8.1	Electric install board weld assembly	1		801225490097	
8.2	Electric waterproof box	2		801225490020	
8.3	Terminal board	1		802425000003	
8.4	Terminal board	1		802425590006	
8.5	Contacto	1		802300100194	
8.6	Fan capacitor	1		802401100044	
8.7	Compressor Capacitor	1		802401000046	
9	Top panel	1		801225490041	
10	Under side panel	1		801224290026	
11	Chassis assembly	1		801224290155	
12	Compressor	1		801401100042	ASH280DG-C8DU
13	Suction pipe weld assembly	1		801624290280	
13.1	Compressor suction pipe	1		801624290279	
13.2	Block valve body (A08)	1		801600900072	
14	Compressor discharge pipe	1		801624290276	