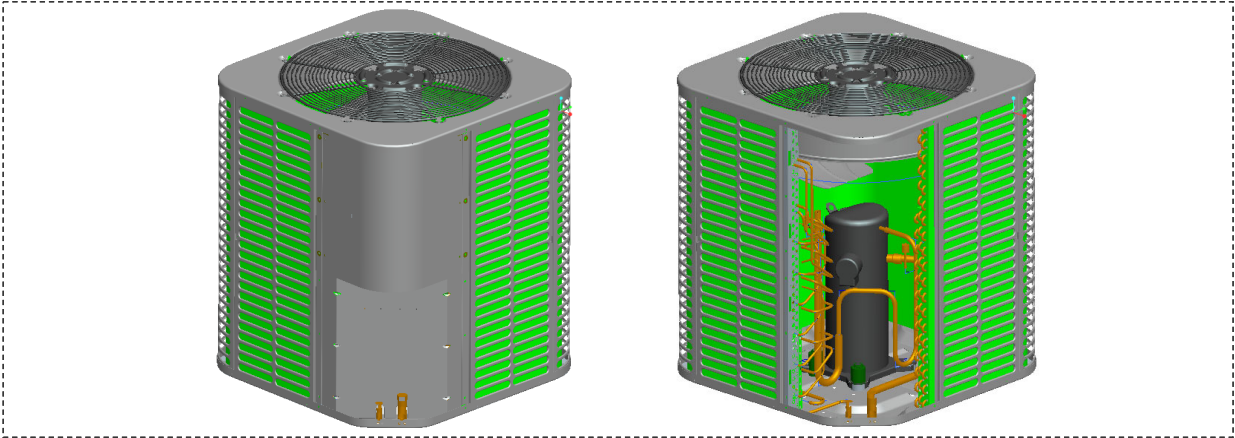
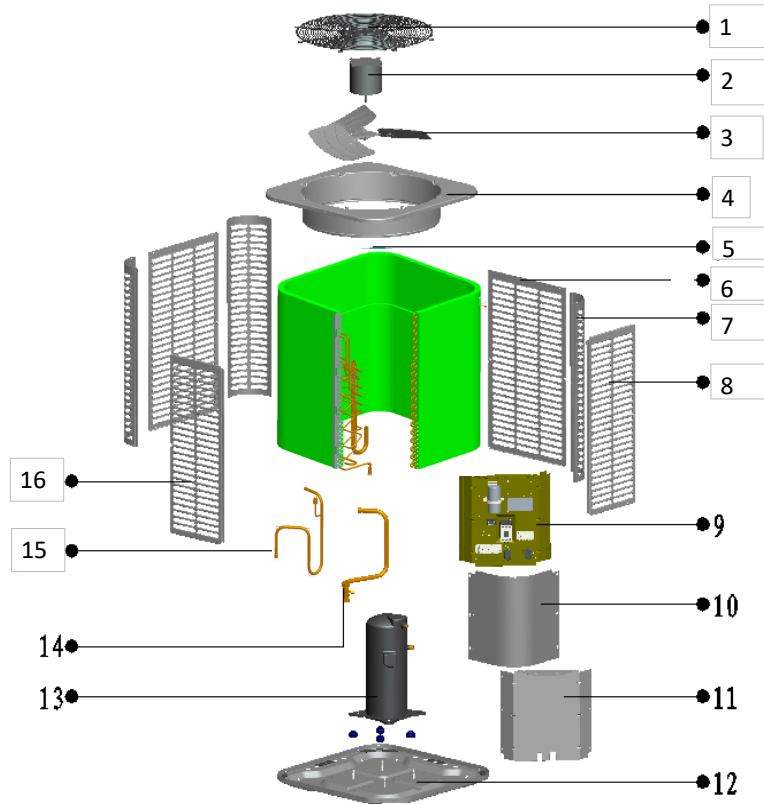


Model: BAR60-14  
Power supply: 208/230V\_1Ph\_60HZ

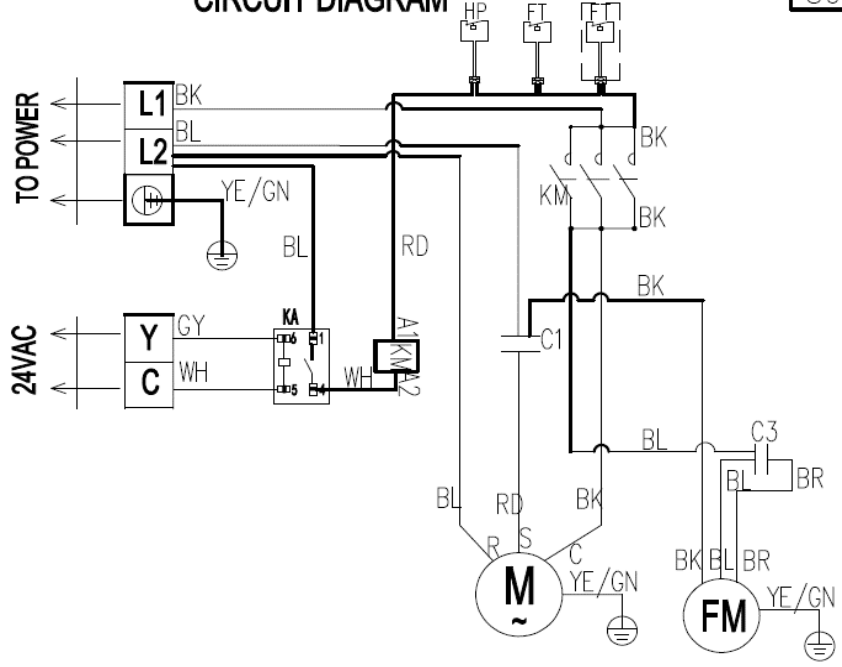
# ComfortStar®





### CIRCUIT DIAGRAM

80203289009V.2



WIRE COLOR CODE	NOTES	COMPONENT CODE
RD RED	1. The units should use the unattached power switch, stated-cross-section wires and matching-spec. breaker. 2. Use the fuse within the specified scope, it can not replaced by iron wires or brass wires. 3. The units should install the stated-cross-section earth wire and keep it grounding unflaingly. 4.Low-voltage switch wiring according to the actual situation.	KM CONTACTOR
BK BLACK		C CAPACTOR
BL BLUE		M COMPRESSOR
PR PURPLE		TB TERMINAL BLOCK
WH WHITE		FM FAN MOTOR
GY GREY		HP HIGH PRESSURE SWITCH
GN GREEN		FT EXHAUST SWITCH
BR BROWN		
YE YELLOW		
YE/GN		
WIRE INFORMATION		
————— FACTORY CONNECTION		
----- PROJECT CONNECTION		
----- PRACTICALITY EXTERIOR		
----- DASHED CIRCLE		

No.	Part Name	Quantity	Sale code	BOM code	Remark
1	Cover net	1		802925490001	
2	Outdoor motor	1		802400400516	
3	Axial-flow fan	1		802925490002	
4	Top cover assemb	1		801225490037	
5	Condenser assemb	1		801534490075	
5.1	Condenser	1		801534490074	
5.1.1	Condenser left-s	1		801225090017	
5.1.2	Condenser right-	1		801219900619	
5.1.3	Condenser left-s	1		801234490076	
5.2	Condenser input	1		801634490166	
5.3	Condenser output	1		801634490172	
5.3.1	High-pressure va	1		801625490074	
5.3.1.1	High-pressure va	1		801625490076	
5.3.1.2	Block valve body	1		801600900069	
6	Rear side-panel	2		801225490039	
7	Support board	3		801225490047	
8	Right side panel	1		801225490045	
9	Electronic compo	1		803334090028	
9.1	Electric install	1		801225490097	
9.2	Electric waterpr	2		801225490020	
9.3	Terminal board	1		802425000001	
9.4	Contacto	1		802300100194	
9.5	Fan capacitor	1		802401100051	
10	Top panel	1		801225490041	
11	Under side panel	1		801225490119	
12	Chassis assembly	1		801225490153	
13	Compressor	1		801400100031	ABG051KAC
14	Suction pipe wel	1		801625490189	
14.1	Compressor sucti	1		801625490188	
14.2	Block valve body	1		801600900101	
15	Compressor disch	1		801634490174	
16	Left side panel	1		801225490051	