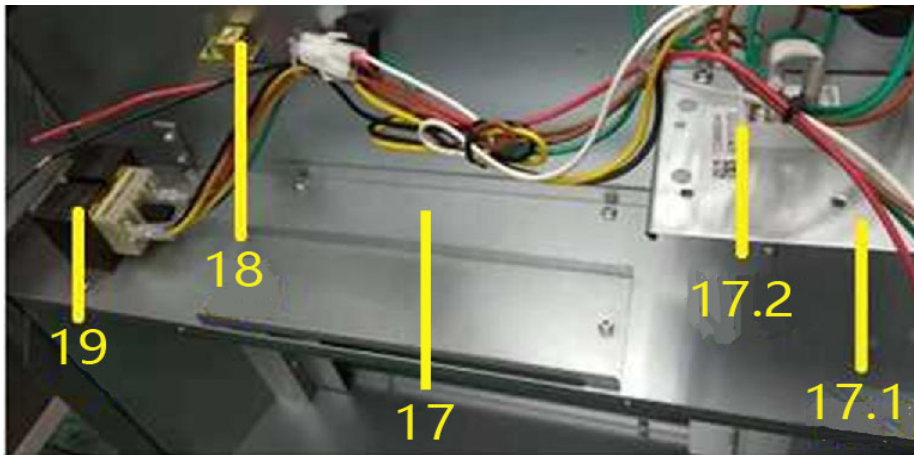
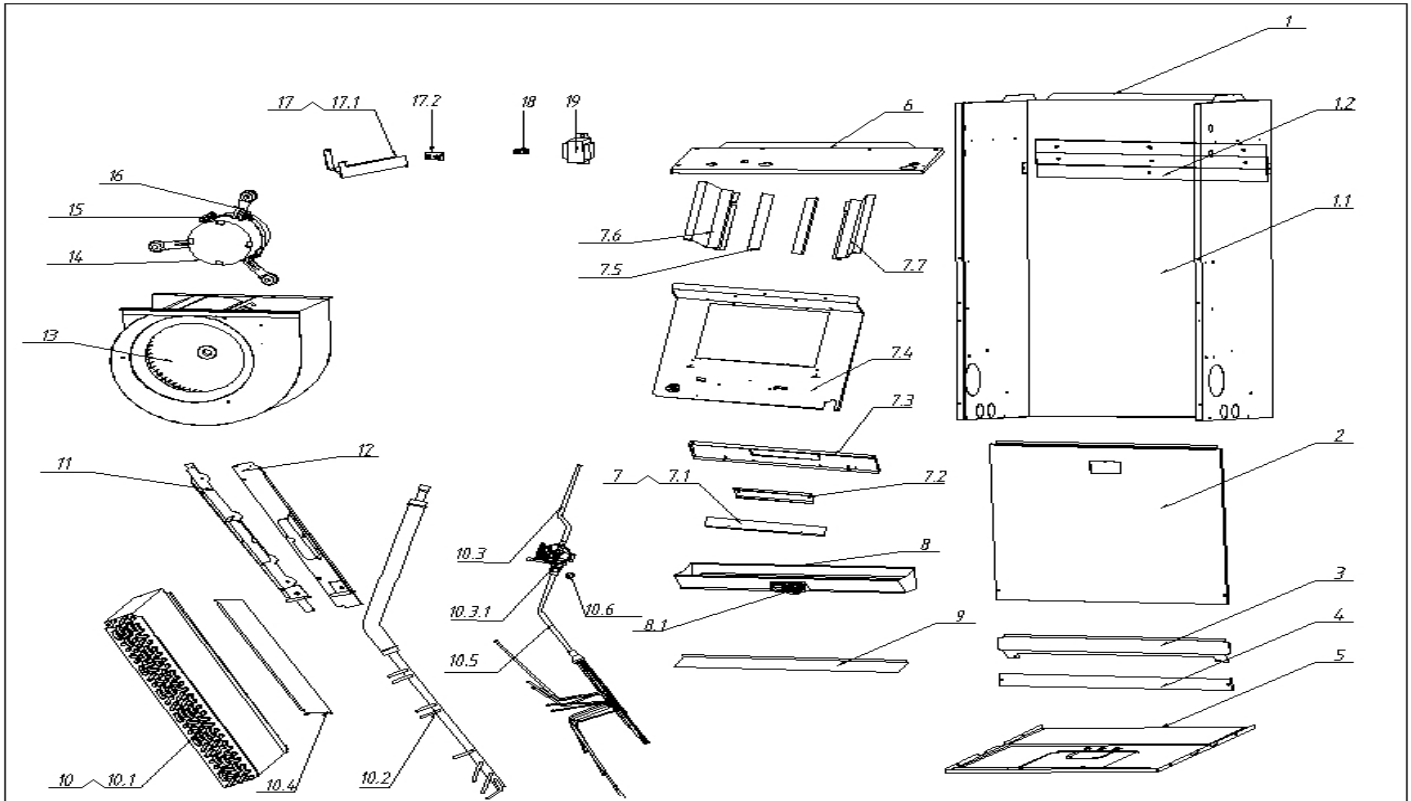


Exploded View

Model

CWM30-14

ComfortStar®



EX_ID	Spare Parts Code	Part Name(EN)	Qty.	Price	Remarks
1	12223000002376	Base ass'y	1.0		
1.1	12223000002362	Base ass'y	1.0		

1.2	12223000006387	Holder	2.0		
2	12223000010532	Side panel assembly	1.0		
3	12223000010530	Condenser connection board assembly	1.0		
4	12223000002182	In the interconnect board assembly	1.0		
5	12223000010528	Side panel assembly	1.0		
6	12223000002196	Components on the side	1.0		
7	12223000004067	Air duct ass'y	1.0		
7.1	12223000002413	Support board	1.0		
7.2	12223000002111	Clapboard	1.0		
7.3	12223000002246	Duct under the baffle	1.0		
7.4	12223000002332	Wind wheel fixed plate	2.0		
7.5	12223000002006	Side board	2.0		
7.6	12223000002239	Left board	1.0		
7.7	12223000002242	Right board	1.0		
8	12123000001081	Drainage pan assembly	1.0		
8.1	15500402000023	seal plug	1.0		
9	12223000002113	Drainage pan supporting board	1.0		
10	15823000004353	Evaporator assembly	1.0		
10.1	15823000004349	Evaporator	1.0		
10.2	15223000000128	Evaporator output pipe assembly	1.0		
10.3	15423000004445	Expansion valve ass'y	1.0		
10.3.1	15500213000075	Thermal expansion valve	1.0		
10.4	12223000005758	Evaporator windshield plate ass'y	1.0		
10.5	15223000000129	Distributary ass'y	1.0		
10.6	12100901000010	Sealing ring	1.0		
11	12223000010531	Condenser connection board assembly	1.0		
12	12223000010534	Condenser connection board assembly	1.0		
13	12200102000003	centrifuge fan	1.0		
14	11002015000783	Brushless DC Motor	1.0		
15	12223000001992	Supporter of fan motor	1.0		
16	12223000001932	Supporter subassembly of fan motor	3.0		
17	17223000005343	E-part box ass'y	1.0		