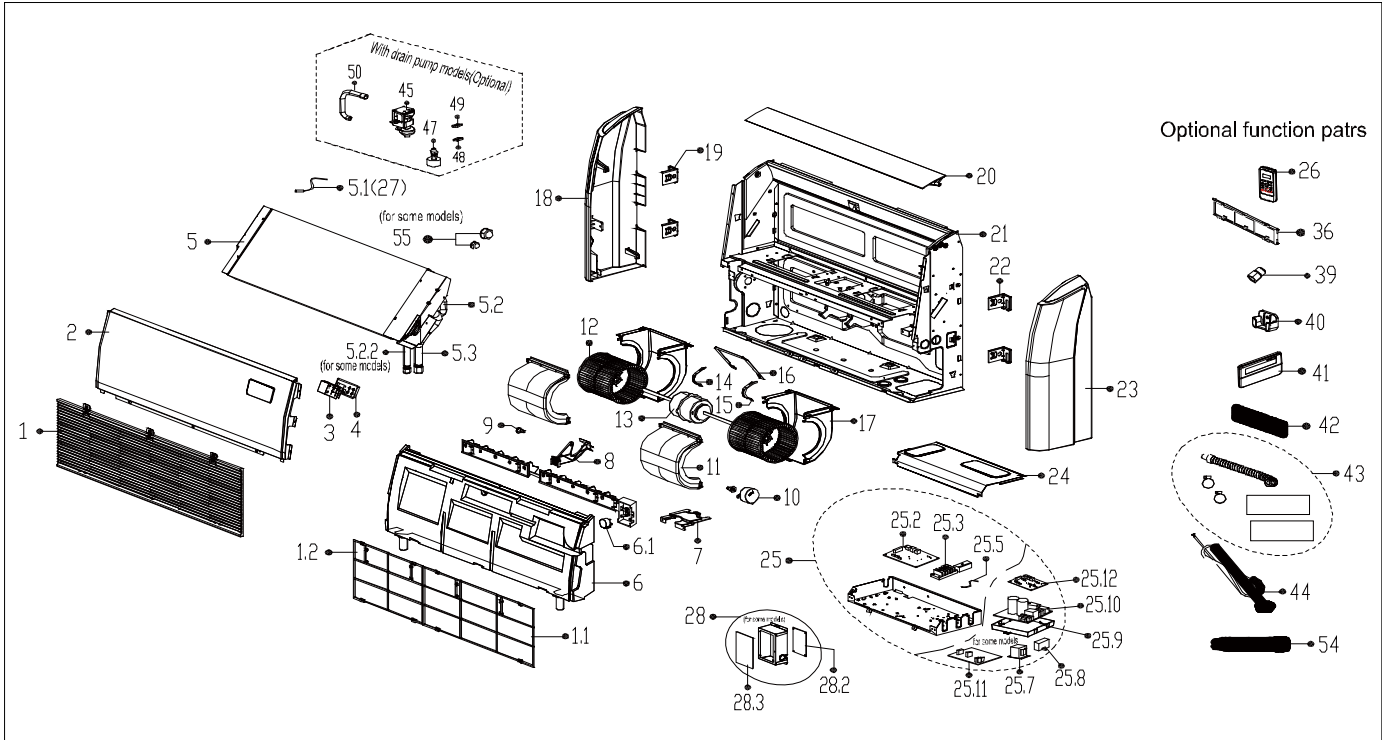


Exploded View

Model FPA-24

ComfortStar®



EX_ID	Spare Parts Code	Part Name(EN)	Qty.	Price	Remarks	Update
1	12122700000100	Return air grille subassembly	1			
1.1	12100204000718	Air filter	1.0			
1.2	12100204000719	Air filter	1.0			
2	12222700000096	Top cover	1			
3	17122700000005	Display board subassembly	1			
4	12122700000044	Display installation box	1			
5	15822700001525	Evaporator assembly	1			
5.1	11201007000047	Pipe temperature sensor	1.0		JSN after*16909xxxx	20230616
	11201007000006				JSN after*16206xxxx	20230616
5.1	/	Pipe temperature sensor	1.0		JSN after*18427xxxx	20230616
	11201007000266				JSN after*16909xxxx	20230616
	11201007000047				JSN after*16206xxxx	20230616
5.2	15122700001699	Evaporator inlet pipe subassembly	1.0			
5.3	15122700000185	Evaporator outlet pipe subassembly	1.0			
6	12822700000010	Water collector subassembly	1			
6.1	11002010000546	Stepper motor	1.0			

7	12222700000054	display board installation support	1			
8	12122700000150	Supporter of louver	1			
9	12122000000344	Insulated axis	2			
10	11002010000057	Stepper Motor	1			
11	12122700000756	Volute shell (above)	2			
12	12100103000165	plastic fan	2			
13	11002015000344	Brushless DC Motor	1		JSN after*20B14xxxx	20230616
	11002015000043				JSN after*16206xxxx	20230616
14	12222500000255	Fan motor axes clamp (right)	1			
15	12222500000253	Fan motor axes clamp (left)	1			
16	12223000000537	Fan motor fixing board	1			
17	12122700000755	Volute shell (below)	2			
18	12122700000093	Cover	1			
19	12222700000018	Right hook	2			
20	12122700000716	Louver subassembly	1			
21	12222700000229	Chassis assembly	1			
22	12222700000016	Left hook	2			
23	12122700000087	Cover	1			
24	12222700000058	Cover of electronic control box subassembly	1			
25	17222700A01772	Electronic control box subassembly	1		JSN after*20B14xxxx	20230616
	17222700000124				JSN after*18427xxxx	20230616
	17222700A02171				JSN after*17515xxxx	20230616
	17222700A01072				JSN after*16909xxxx	20230616
	17222700000124				JSN after*16206xxxx	20230616
25.2	17122700A01446	Main control board subassembly	1.0		JSN after*20B14xxxx	20230616
	17122700000068				JSN after*18427xxxx	20230616
	17122700A01746				JSN after*17515xxxx	20230616
	17122700A00952				JSN after*16909xxxx	20230616
	17122700000068				JSN after*16206xxxx	20230616
25.3	17400401000006	Terminal	1.0			
25.3	17400401000285	Wire joint	1.0			
25.5	11201007000073	Room Temperature Sensor	1.0			
25.7	17400306000070	Reactor	1.0			
25.12	17122000019028	Filter board subassembly	1.0			
26	17317000A64087	Remote controller	1		JSN after*22217xxxx	20230616
	17317000A16345				JSN after*16909xxxx	20230616
	17317000A00646				JSN after*16206xxxx	20230616
28	17222700000159	Electronic control box subassembly	1			
28.2	17122000008562	Inverter module subassembly	1.0			
28.3	11203803000154	Radiator	1.0			
40	12122000029201	Bracket of remote Controller	1			
41	17317100A27895	Wired controller	1			

43	12011600A00310	Accessory kit	1			
55	15500406000003	Copper nut	1			
55	15500406000010	Copper nut	1			